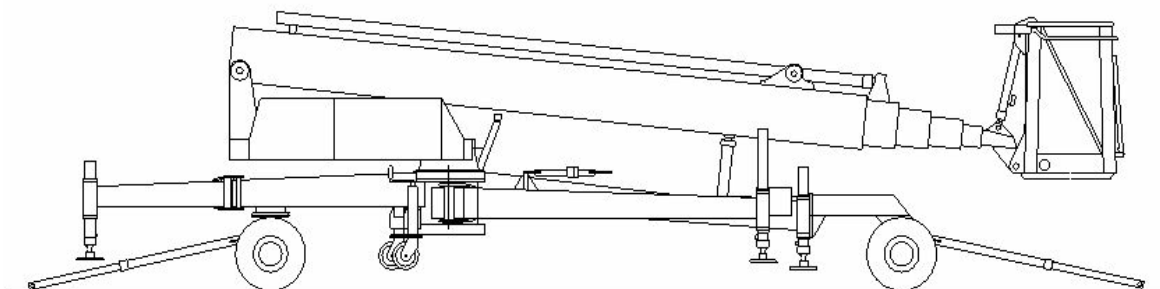


**RESERVEDELS-
KATALOG**

**SPARE PARTS
CATALOGUE**

**ERSATZTEILS-
KATALOG**

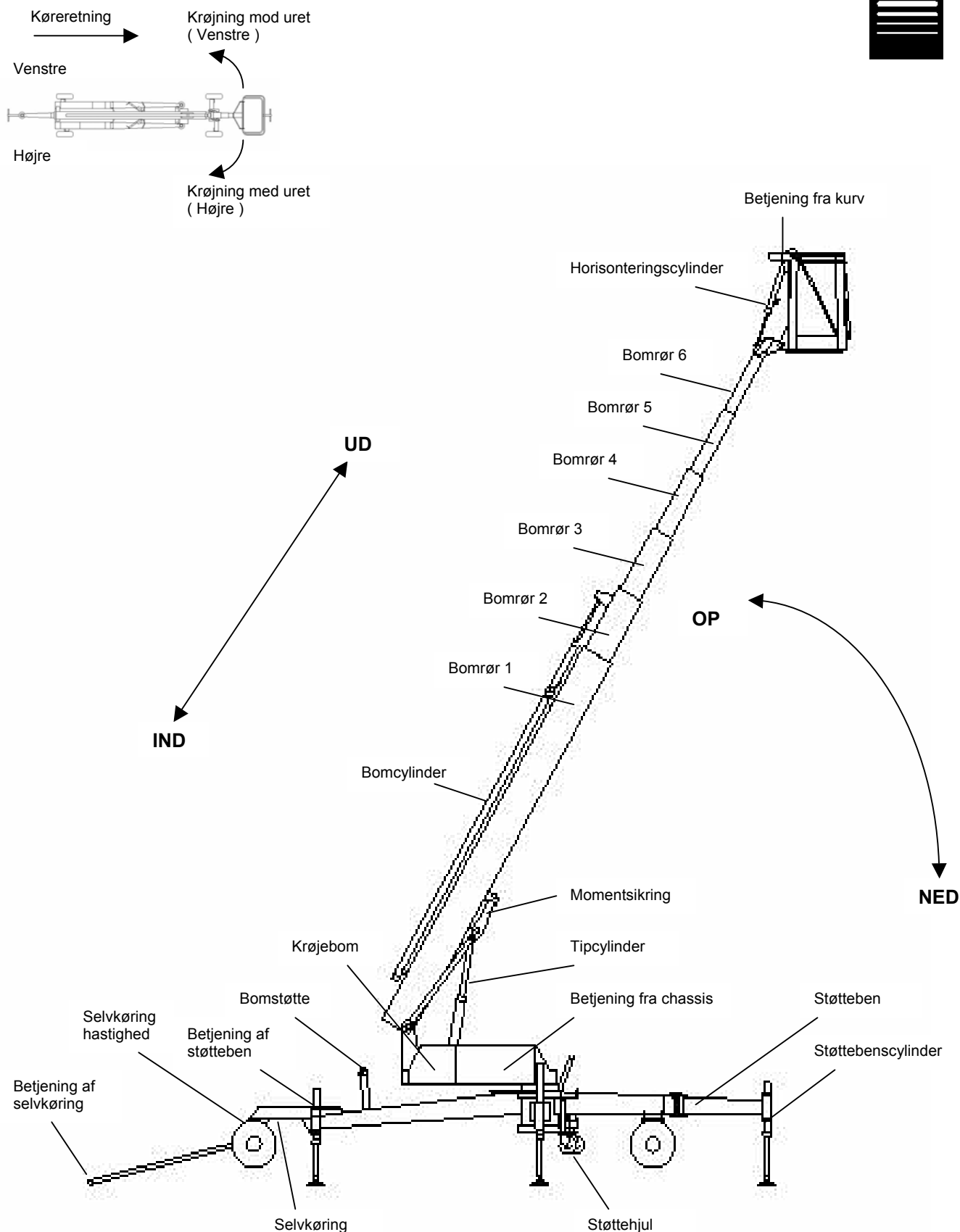
DENKA·LIFT
|||||



DL25/28N
DKN3MK25
DKN3MK28

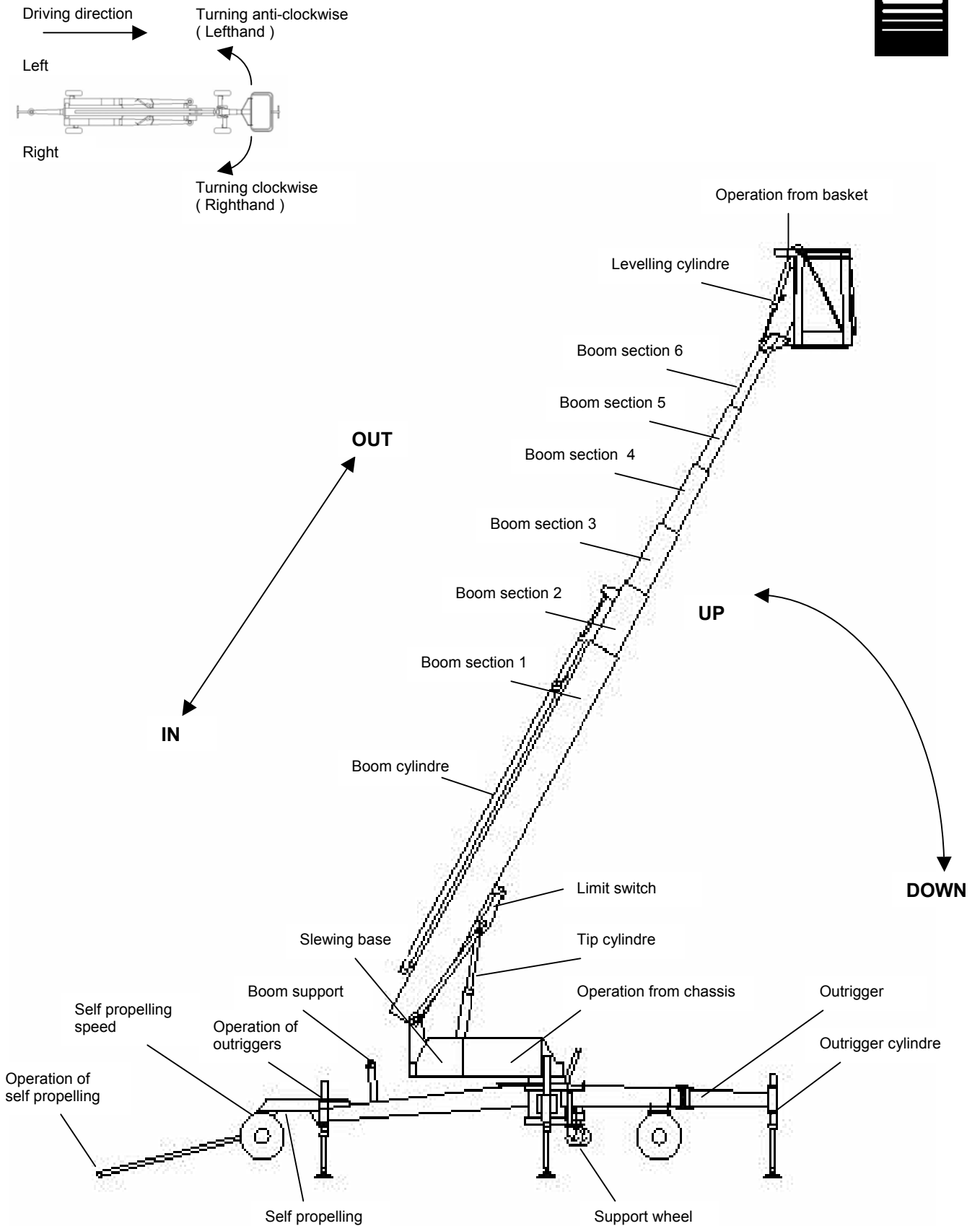
Liftbeskrivelse – DL25N / DL28N

På denne side forklares en del funktioner og begreber, der anvendes i reservedelskataloget. Hvis der ønskes yderligere oplysninger, kontakt os da venligst.



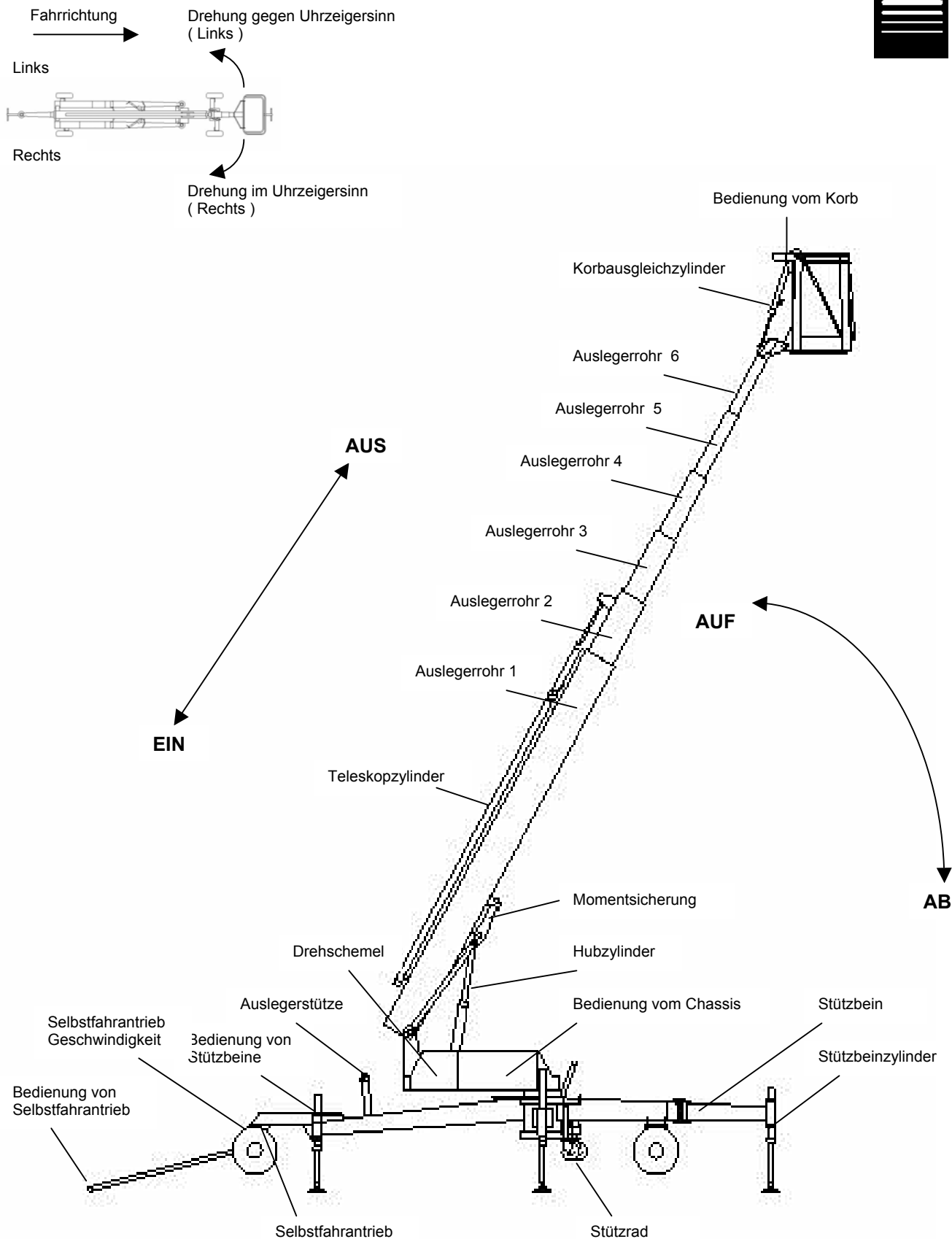
Description of the lift – DL25N / DL28N

At this page some functions and constructions mentioned in the spare part catalogue are explained. If you need further information, please contact us.



Beschreibung des Liftes – DL25N / DL28N

An dieser Stelle werden einige der Funktionen und Begriffe erklärt, die in den Ersatzteilkatalog benutzt werden. Falls Sie weitere Technische Daten brauchen, bitten wir Ihnen uns zu kontaktieren.

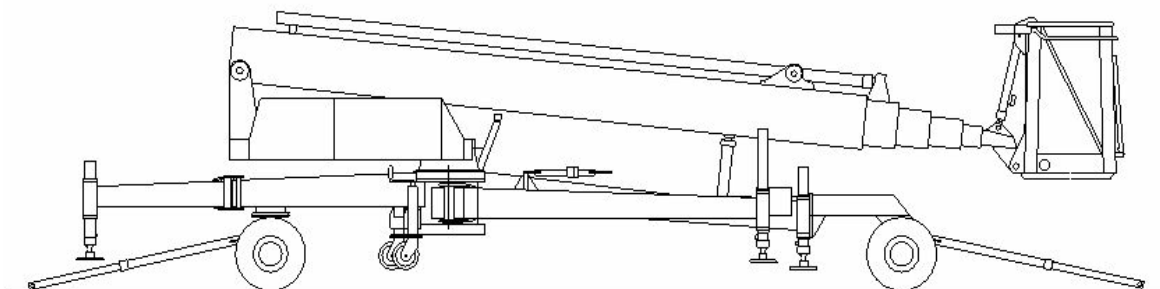


**RESERVEDELS-
KATALOG**

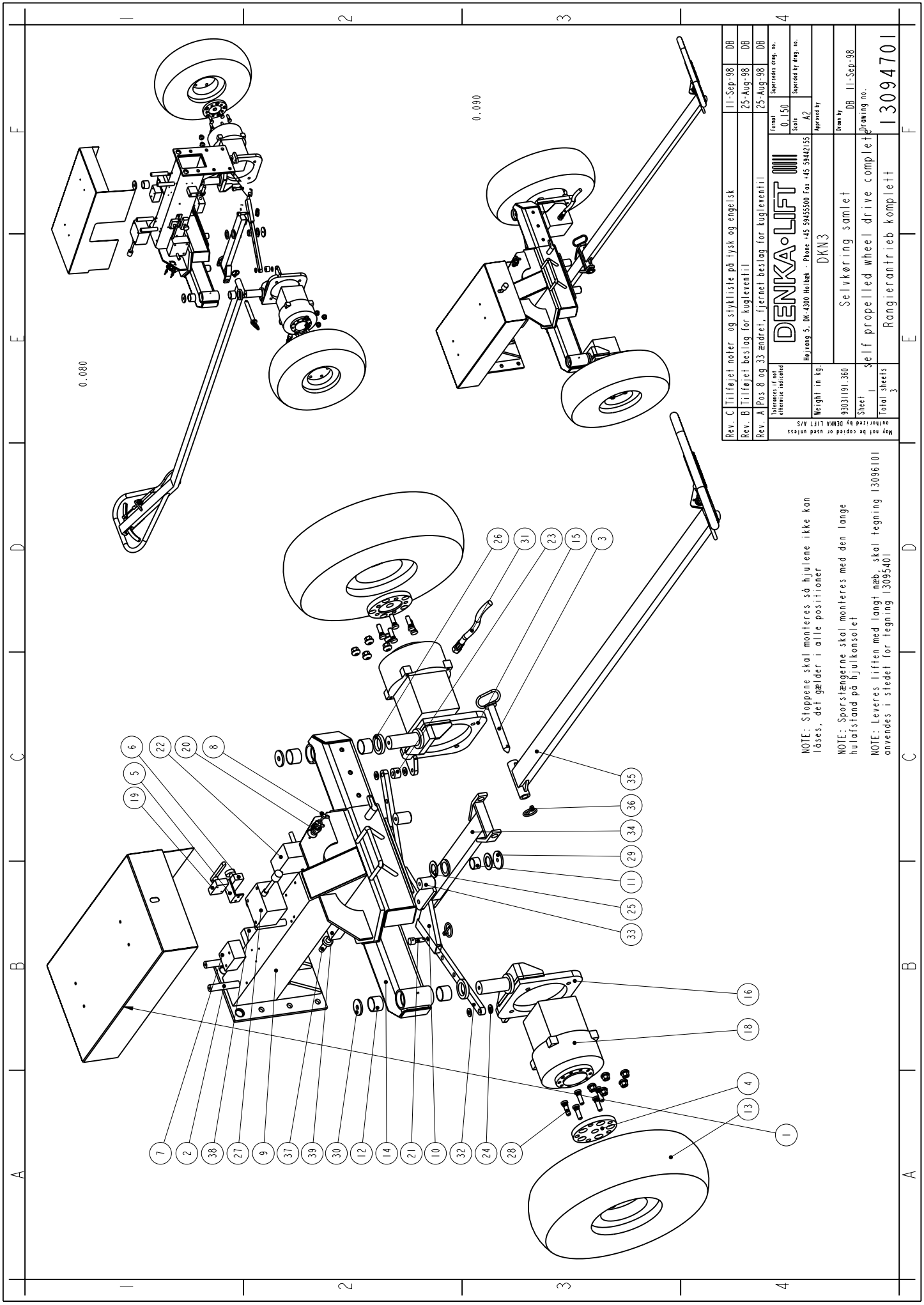
**SPARE PARTS
CATALOGUE**

**ERSATZTEILS-
KATALOG**

DENKA·LIFT
|||||



CHASSIS



0.080

0.090

NOTE: Stoppene skal monteres så hjulene ikke kan løses, det gælder i alle positioner

NOTE: Sporsstængerne skal monteres med den lange hulafstand på hjulkonsolet

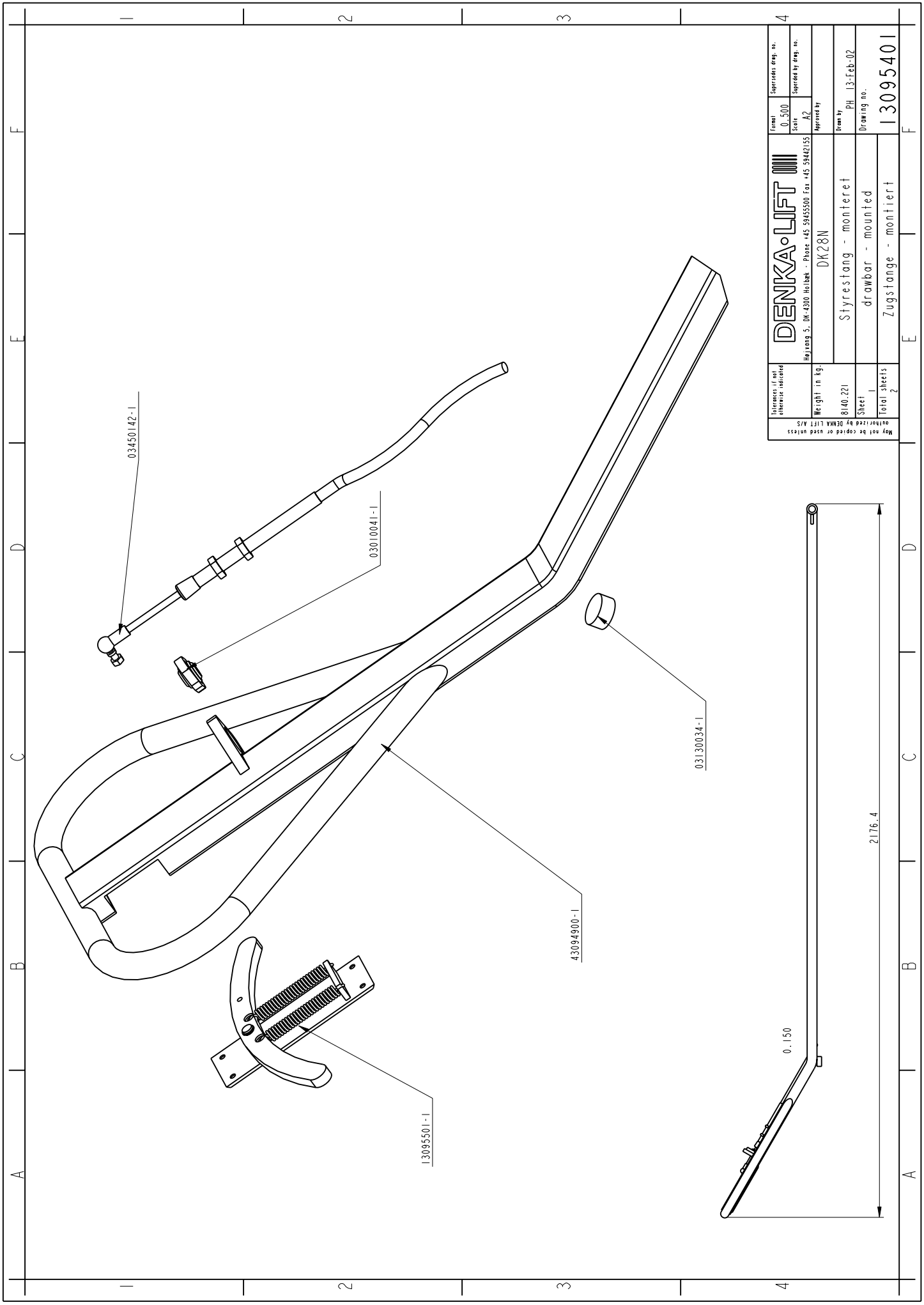
NOTE: Leveres liften med langt næb, skal tegning 13096101 anvendes i stedet for tegning 13095401

Rev. C	Tilføjet noter og styklister på tysk og engelsk	11-Sep-98	DB
Rev. B	Tilføjet beslag for kuglerentil	25-Aug-98	DB
Rev. A	Pos 8 og 33 ændret, fjernet beslag for kuglerentil	25-Aug-98	DB
Denka-LIFT Højrup 5, DK-4200 Høsbæk - Phone +45 59455500 Fax +45 59442155 E-mail: info@denka-lift.dk Scale: 0.150 Superseded by drawing no.: Approved by: DKN3			
Weight in kg: 9303191.360 Sheet: 1 Self propelled wheel drive complete Drawing no.: 13094701			
Total sheets: 3 Rangierantrieb komplett			

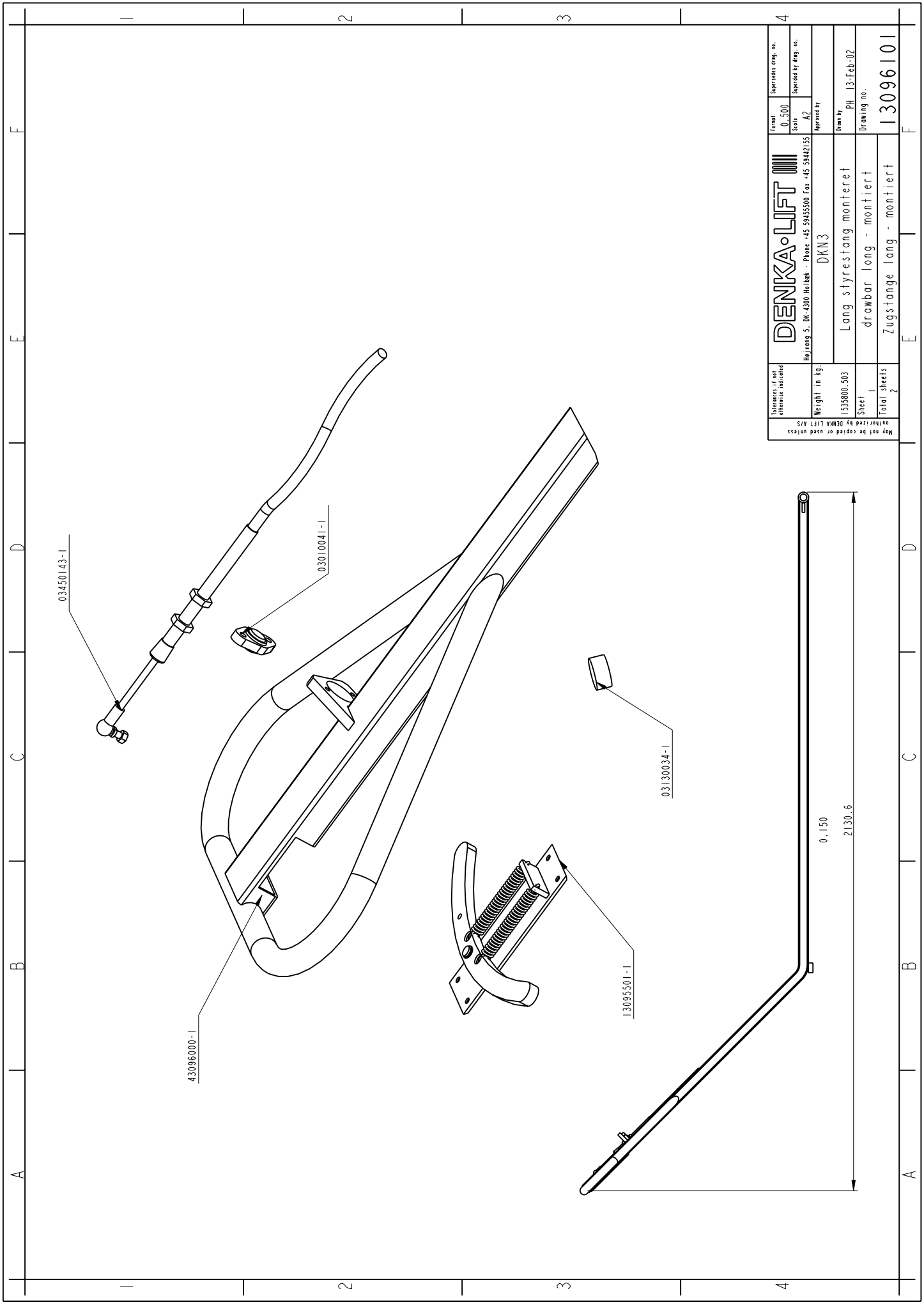
May not be copied or used unless authorized by DENKA LIFT A/S

33	Stop	stop	Stop	2	13092100	
32	Sporstang	track rod	Spurstange	2	43038900	
31	SLANGESÆT TIL DKN3 SELVK.	HOSE SET FOR DKN7 CHASSIS	SCHLAUCHSATZ FÜR DKN7 CHASSIS	1	13092201	0.000
30	Skive rustfri	disk - rustproof	Scheibe - rostfrei	2	13091900	
29	Skive	disk	Scheibe	1	41413900	
28	Riffelbolt	checker bolt	Riffelbolzen	10	03020019	0.051
27	Omskifterventil 4/2-vejs Q25	switching valve 4/2-tracks Q25	Umschaltventil 4/2-wege Q25	1	03260027	
26	Nylonskive	nylon washer	Nylonscheibe	2	13092000	
25	Nylonskive	nylon washer	Nylonscheibe	2	10152400	
24	Nylonskive	nylon washer	Nylonscheibe	4	13092500	
23	Mellemstyk	distance piece	Zwischenstück	1	43092400	
22	Manøvreventil	manoeuvre valve	Manövrierventil	1	40132010	
21	Låsetap	locking plug	Gegenstift	2	13039900	
20	Kugleled for bowdenkabel	ball joint for bowden-cabel	Kugelgelenk f. Bowdenkabel	1	03010041	0.067
19	Kuglehane 0364 R3/8	ball valve	Kugelhahn	1	03250071	
18	Hydr. motor OMT FX 315	hydr. motor OMT FX 315	Hydr. Motor OMT FX 315	2	03350034	
17	Hjilmøtrik	wheel nut	Radmutter	10	03020020	0.044
16	Hjulkonsol venstre	wheel console left	Radkonsole links	1	43037600	6.906
15	Hjulkonsol højre	wheel console right	Radkonsole rechts	1	43037500	6.906
14	Hjulaksel svejst	wheel axle - welded	Radachse geschweisst	2	43037000	
13	Hjul komplet	wheel complete	Rad komplett	2	03070026	33053388.310
12	Glacierbøsning PM4030DX	Glacier - bush	Glacier Buchse	4	03190003	0.018
11	Glacierbøsning PM3020DX	Glacier - bush	Glacier Buchse	1	03190001	0.018
10	Føring svejst	guiding elbow welded	Winkelschiene geschweisst	2	43035700	
9	Forbjælke svejst	front beam welded	Vorderbalken geschweisst	1	43094300	5638166.061
8	Fløjskrue M6x16	wing screw M16x16	Flügelschraube M16x16	2	02290007	0.013
7	Flowdeler FDC 60-20-4-1	flow divider	Stromzufussteiler	1	03250058	
6	Drøvekcontraventil EFC-4107	non-return needle valve	Drosselgegenventil	1	03250045	
5	Beslag for kugleventil	bracket for ball valve	Beschlag für Kugelventil	1	13092700	
4	Automatstål	wheel adaptor	Radadapter	2	43039000	1.325
3	Aksel for træk	axle for drawbar	Achse für Zugstange	1	43093900	48806.984
2	Afstandsstykk	spacer	Abstandsstück	4	13092800	0.080
1	Afdækning			1	43092300	2.132
Item	Subject	Subject	Subject	No.	Id no.	Weight

Denka lift A/S + 45 59455500	Selvkøring samlet	Drawn by
Sheet 2		DB 25-Aug-98
Total sheets 3	Rangierantrieb komplett	Drawing no. 13094701

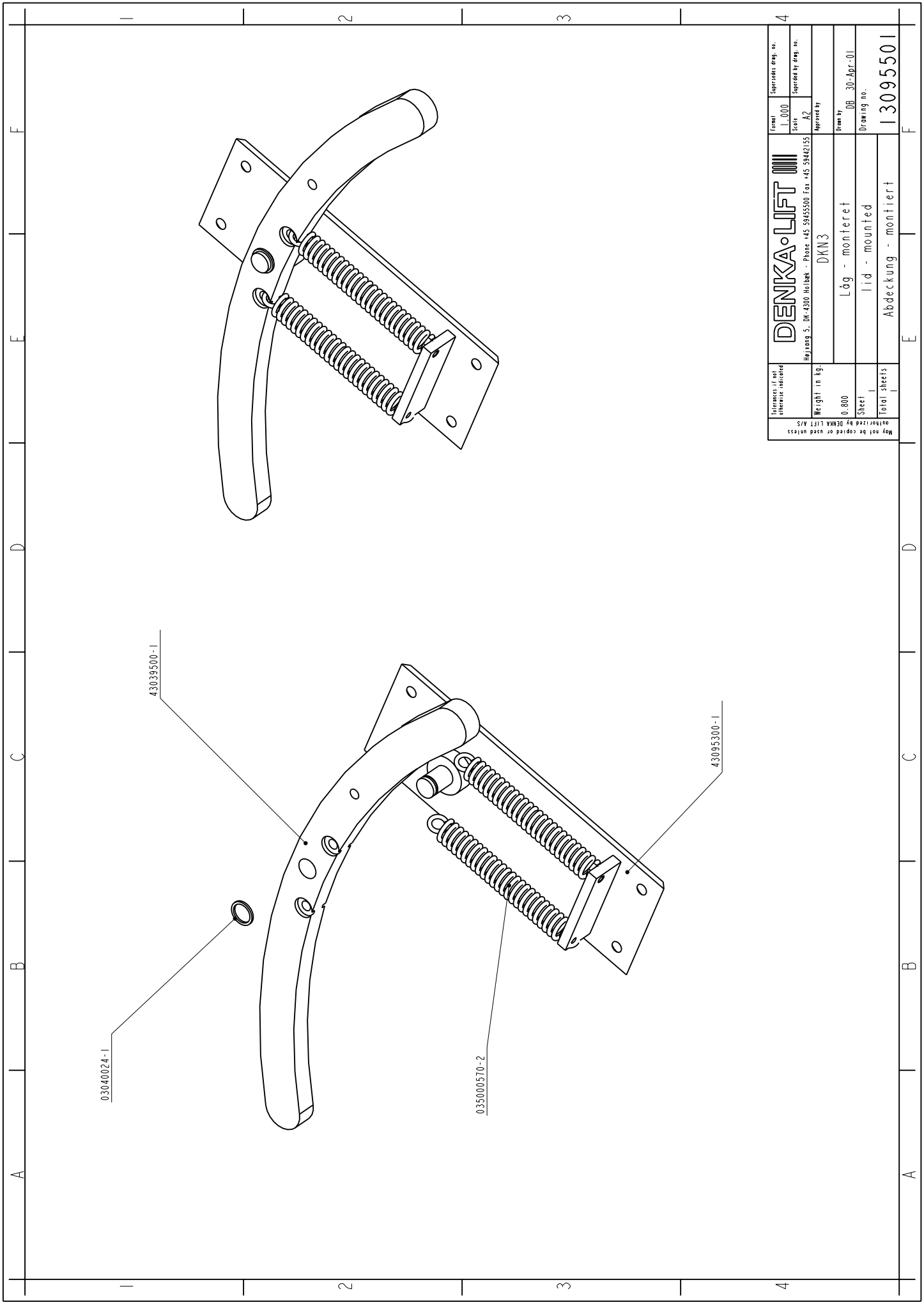


Dimensions (if not otherwise indicated)	Weight in kg:		
Authorized by DENKA LIFT A/S	8140.221	Hojvang 5, DK-4300 Haslev - Phone +45 59455500 Fax +45 59442155 Approved by: DK28N	
	Sheet 1	Styrestang - monteret drawbar - mounted	
	Sheet 2	Zugstange - montiert	
	Total sheets 2	Drawing no. 13095401	
		Formel 0.500 Scale A2 Superseded by drawing no. PH 13-feb-02	

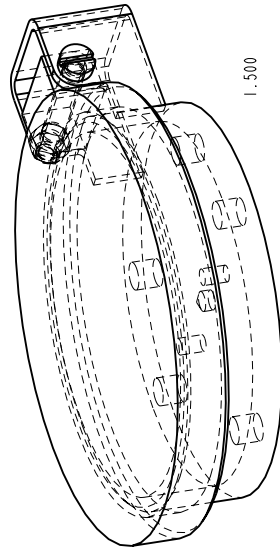
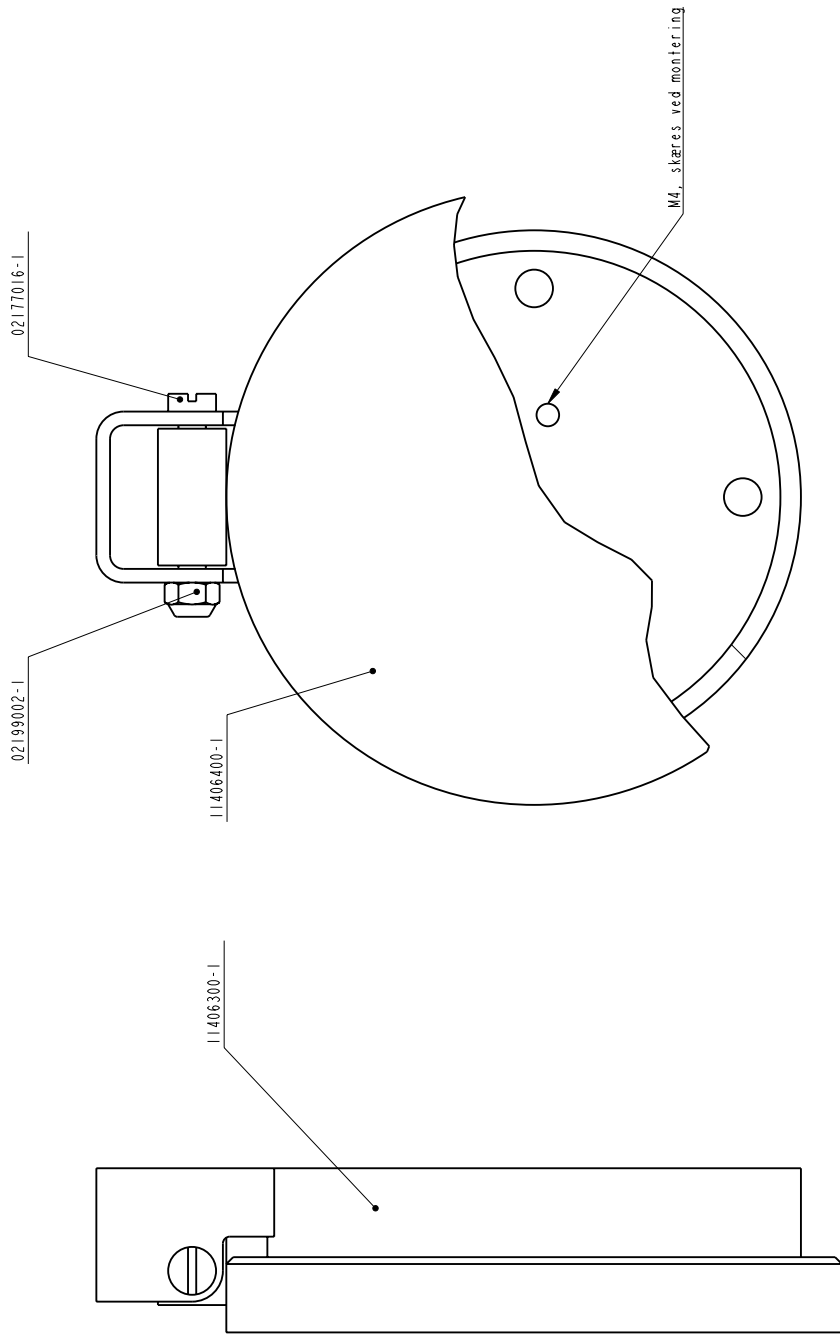


Differences if not otherwise indicated	Formel	Supersedes drawing no.
	Scale	Supersedes by drawing no.
Weight in kg:	Approved by	
	DKN3	
Total sheets	Drawn by	
	PH 13-Feb-02	
Sheet	Drawing no.	
	13096101	
DENKA-LIFT Hojrup 5, DK-4300-Holbæk - Phone +45 59455500 Fax +45 59442155 Lang styrestang monteret drawbar long - montiert Zugstange lang - montiert		

May not be copied or used unless authorized by DENKA LIFT A/S	
0.150	2130.6



Dimensions if not otherwise indicated	Formel	Supersedes drawing no.
	L 000	
	Scale	Supersedes by drawing no.
	A2	
	Approved by	
	DKN3	
Weight in kg:	DKN3	
0.800	Lög - monteret	
Sheet	lid - mounted	
Total sheets	Abdeckung - monteret	
<p>May not be copied or used unless authorized by DENKA LIFT A/S</p> <p>Denka Lift A/S, DK-4300 Hvidebø - Phone +45 59455500 Fax +45 59442155</p>		
<p>DENKA LIFT</p>		
<p>Drawn by: DB_30-Apr-01</p>		
<p>Drawing no.: 13095501</p>		



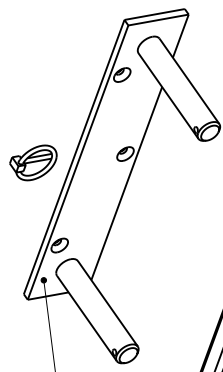
Note: Males 80-120 µm

Rev. C	Legnet op i pro + ændret nr. fra 41411600 til 41411601	25-Apr-00	H0
Tolerance if not otherwise indicated	Formel	2.000	Supersedes drawing no.
	Scale	A2	Superseded by drawing no.
	Weight in kg.	DK3	Approved by
	0.200	Libellehus komplet	Drawn by H0 18-Apr-00
	Sheet	Libelle house complete	Drawing no.
	Total sheets	Libelle Gehäuse komplett	41411600

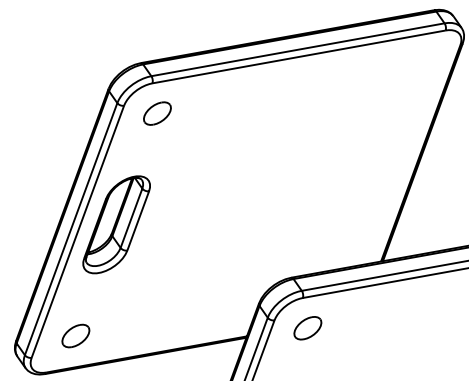
1:500

4	Revisi
3	Revisi
2	Læg
1	Grund

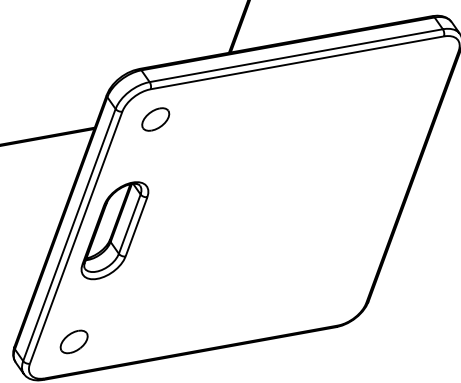
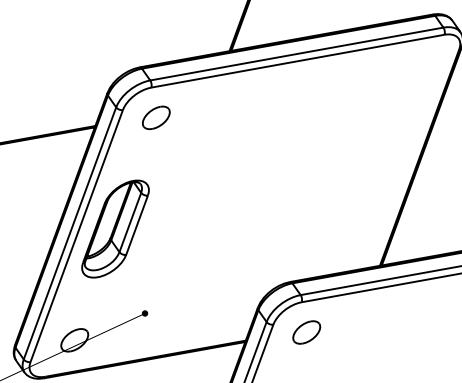
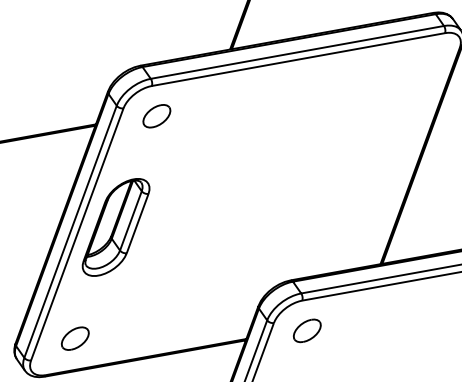
02882001-2



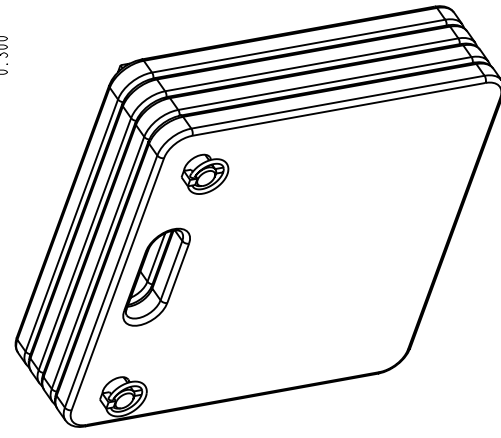
46026920-1



16027720-4



0.300



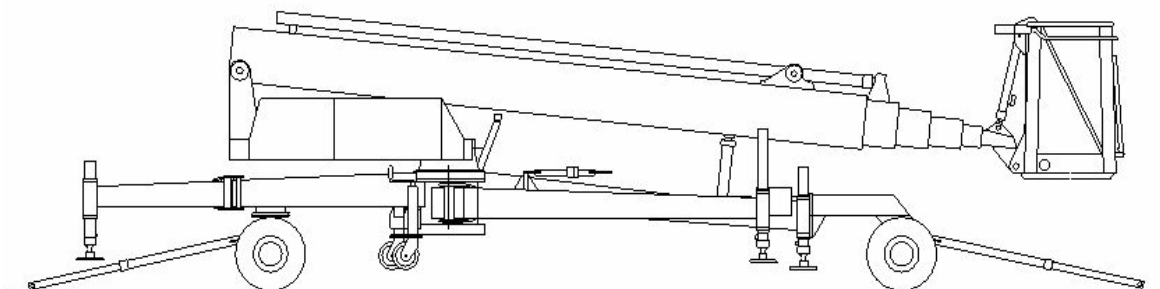
Tolerances if not otherwise indicated	Formel	Supersedes drawing no.
	0.300	
Mojiramp 5, DM-4200 Heilbronn - Phone: +49 59465500 Fax: +49 59462155	Scale	Supersedes by drawing no.
	A2	
Weight in kg:	Approved by	
	Komponenter	
7830.000	Fodpladearrangement monteret	
Sheet	Bearing plate set mounted	
Total sheets	Bodenplattensatz montiert	
May not be copied or used unless authorized by DENKA LIFT A/S		
12060401		

**RESERVEDELS-
KATALOG**

**SPARE PARTS
CATALOGUE**

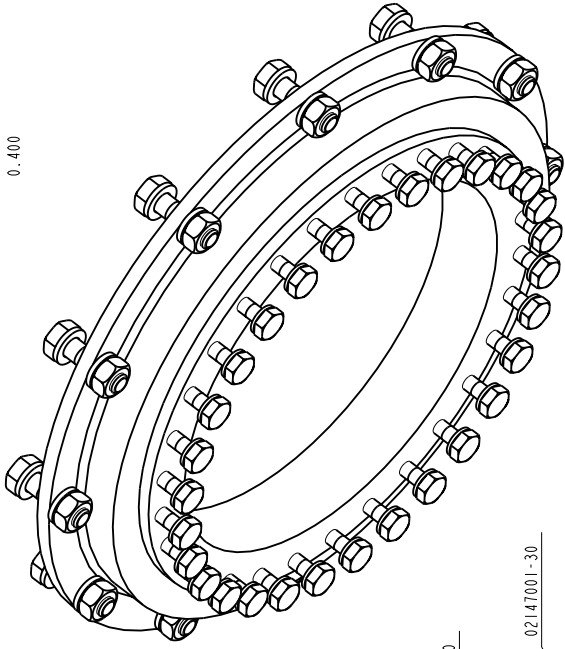
**ERSATZTEILS-
KATALOG**

DENKA·LIFT
|||||



**KRØJEBOM
SLEWING BOOM
DREHSCHEMEL**

0.400



03170004-1

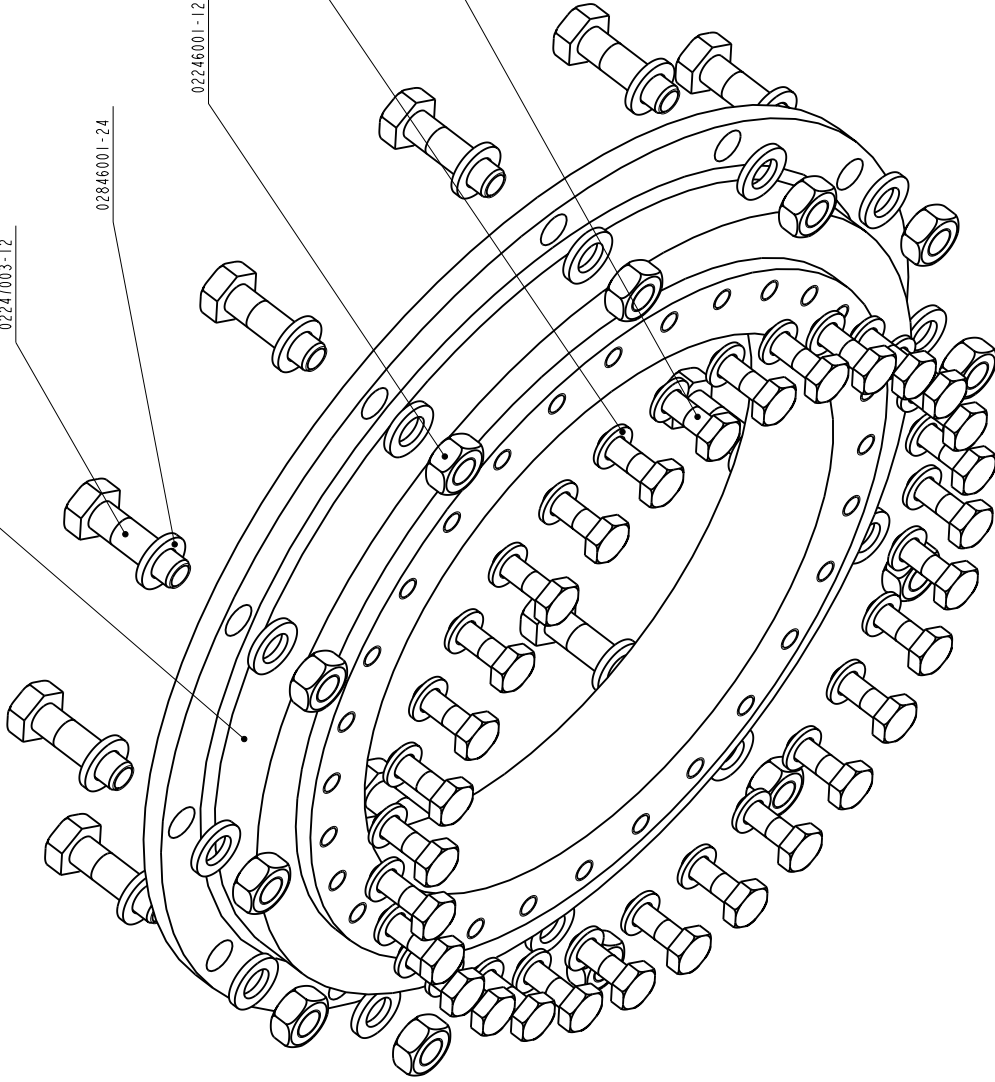
02247003-12

02846001-24

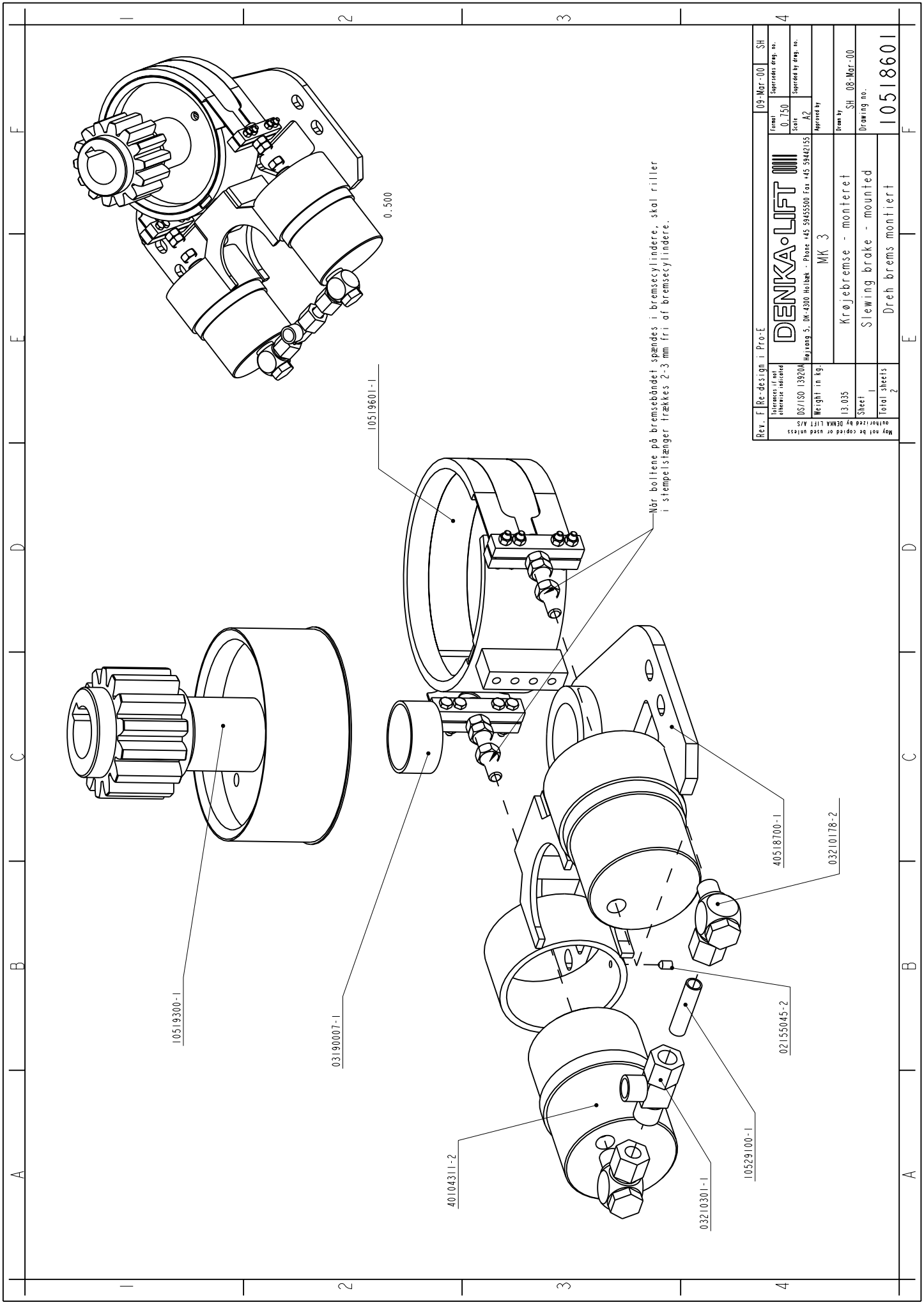
02246001-12

02816001-30

02147001-30



Differences if not otherwise indicated	Formel	Supersedes drawing no.
	DS 2168-1 m	0.600
Weight in kg	Scale	Supersedes by drawing no.
	7850.000	A2
Authorized by DENKA LIFT A/S	Approved by	
	Melemstorelse af drejekrans	
	Drejekrans monteret	
	Slewing ring, mounted	
	Drehkranz montiert	
Total sheets	11616101	



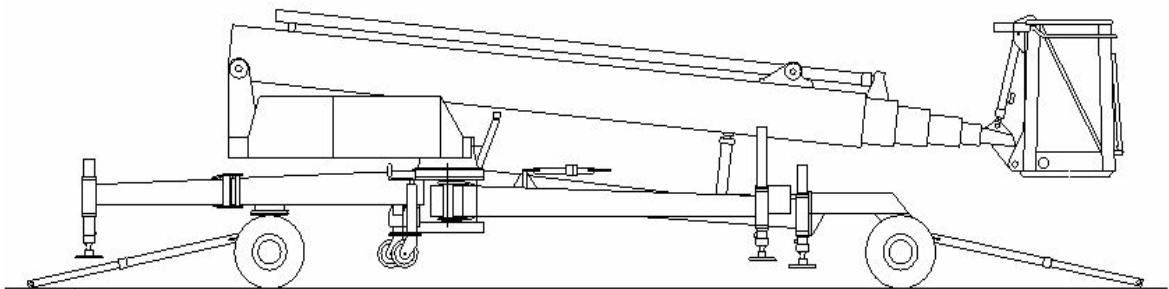
Rev. F	Re-design i Pro-E	09-Mar-00	SH
Tolerance if not otherwise indicated	0.750	Supersedes drawing no.	
Scale	A2	Supersedes drawing no.	
Weight in kg.	13.035	Approved by	
Sheet	1	Drawn by	SH 08-Mar-00
Total sheets	2	Drawing no.	10518601
DENKA-LIFT Holvang 5, DK-4300 Hvidebæk - Phone +45 59455500 Fax +45 59442155 MK 3			
authorized by DENKA LIFT A/S		Kørebremse - monteret Slewing brake - mounted Dreh brems montiert	

**RESERVEDELS-
KATALOG**

**SPARE PARTS
CATALOGUE**

**ERSATZTEILS-
KATALOG**

DENKA·LIFT
|||||



**MK25
BOM
BOOM
AUSLEGER**

MK25 Bom/Boom/Ausleger

DKN3

MK25-01b Boom section 1
MK25-02a Boom section 2
MK25-03a Boom section 3
MK25-04a Boom section 4
MK25-05a Boom section 5
MK25-06a Boom assembled

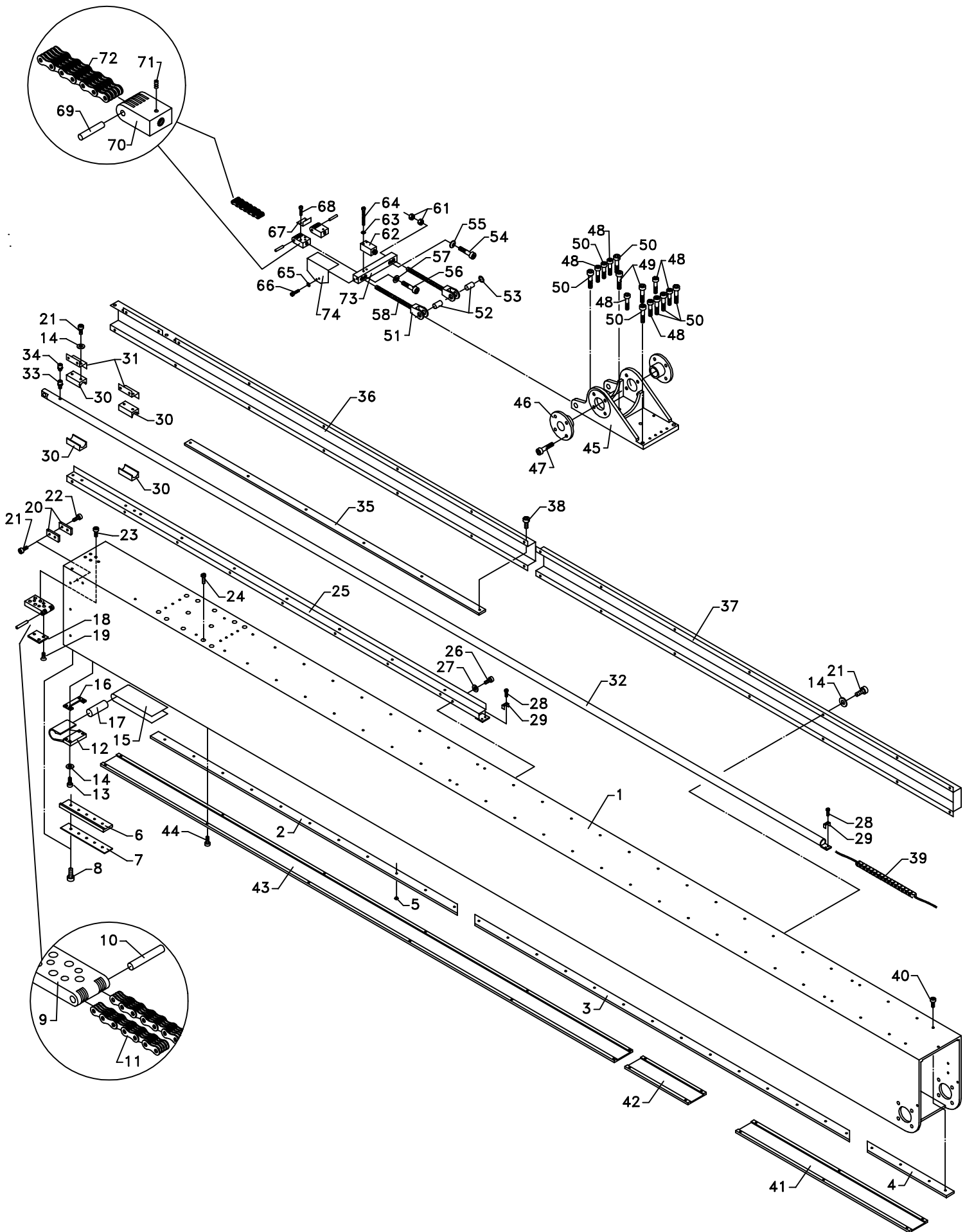


Plate MK25-01b			Rev nr Rev.1	Date 1/5/95
Item. no	Art. no	Description	Note	
1	11210802	Boom section 1, std. type		
2	10715400	Guiding list		
3	11212000	Guiding list		
4	11212100	Guiding list		
5	10723200	Threaded bushing, M8		
6	10713900	Slide shoe, A2		
7	10776800	Liner f. slide shoe		
8	10775700	Screw CH A2 M10x18		
9	40710700	Chain fittings (4x5)		
10	02889011	Cylindric pin, 8x45mm		
11	11213102	Chain		
12	10716200	Flat-cable lock, sect. 1, MK4		
13	02107007	Screw CH A2 M6x25		
14	02818004	Washer A2 M6		
15	03450156	Pilot cable, flat 33m 28 cond.		
16	10719300	Spacer f. Cable lock 6200		
17	10771800	Lock tube f. cable lock		
18	10710800	Slide plate, non-fric		
19	02107016	Screw CH A2 M8x16		
20	10019922			
21	02107004	Screw CH A2 M6x10		
22	02244007	Screw UH A2 M6x16		
23	02107024	Screw CH A2 M10x25		
24	02244015	Screw UH A2 M8x12		
25	41211700	Support f. cable guide		
26	02129002	Set screw A2 M6x10		
27	02818004	Washer A2 M6		
28	02177005	Screw UH A2 M5x20		
29	03150061	End piece, 0/030		
30	10020922			
31	14001320			
32	11220800	Guide bar		
33	03420049	Reducing nipple PG 11-7		
34	03420034	Connection PG 7		
35	14002520			
36	44001420	Cover		
37	45007020	Cover		
38	02107003	Screw CH A2 M6x8		
39	10017022			
40	02107045	Screw CH A2 M8x14		

Plate MK25-01b			Rev nr Rev.1	Date 1/5/95
Item. no	Art. no	Description	Note	
41	40771400	Cover f. flat cable l=995mm		
42	40716800	Cover f. flat cable l=363mm		
43	41210500	Cover f. flat cable l=2938mm		
44	02107005	Screw CH A2 M6x16		
45	10710200	Cylinder carriage sect.1, MK4		
46	10710300	Flange f. boom cyl. fixture		
47	02107029	Screw CH A2 M12x25		
48	10775800	Screw CH A2 M12x28		
49	10775900	Screw CH A2 M12x33		
50	02107030	Screw CH A2 M12x30		
51	40711400	Chain adjuster		
52	10714400	Axle		
53	02497002	Circlip, ø20x1.2 A2		
54	02100028	Screw CH FZB M12x75		
55	03500012	Disc spring, 28x12.2x1.00		
56	02100030	Screw CH FZB M12x90		
57	03500011	Disc spring, 28x12.2x1.00		
58	10774300	Stud bolt M12x230		
61	02115006	Nut 8 FZB M12		
62	03090018	Llmit switch, XCK-P510		
63	02821001	Washer FZB M4		
64	02151005	Screw UH 4.8 FZB M4x30		
65	02818003	Washer A2 M5		
66	02177002	Screw UH A2 M5x10		
67	16008720			
68	02177013	Screw UH A2 M4x10		
69	02889011	Cylindric pin, 8x45mm		
70	40711600	Chain fittings (5x5) m.M4		
70	40771000	Chain fittings (5x5) u.M4		
71	02155012	Grub screw A2 M5x10		
72	11213002	Chain		
73	40717300	Chain adjuster		
74	14000820	Guard		
75	11211600			
76	02244026	Screw UH A2 M12x20		
77	40121700	Nut		
78	11409700	Boom stop rubber, 110mm DK3		
79	02107023	Screw CH A2 M10x20		
80	11407900			

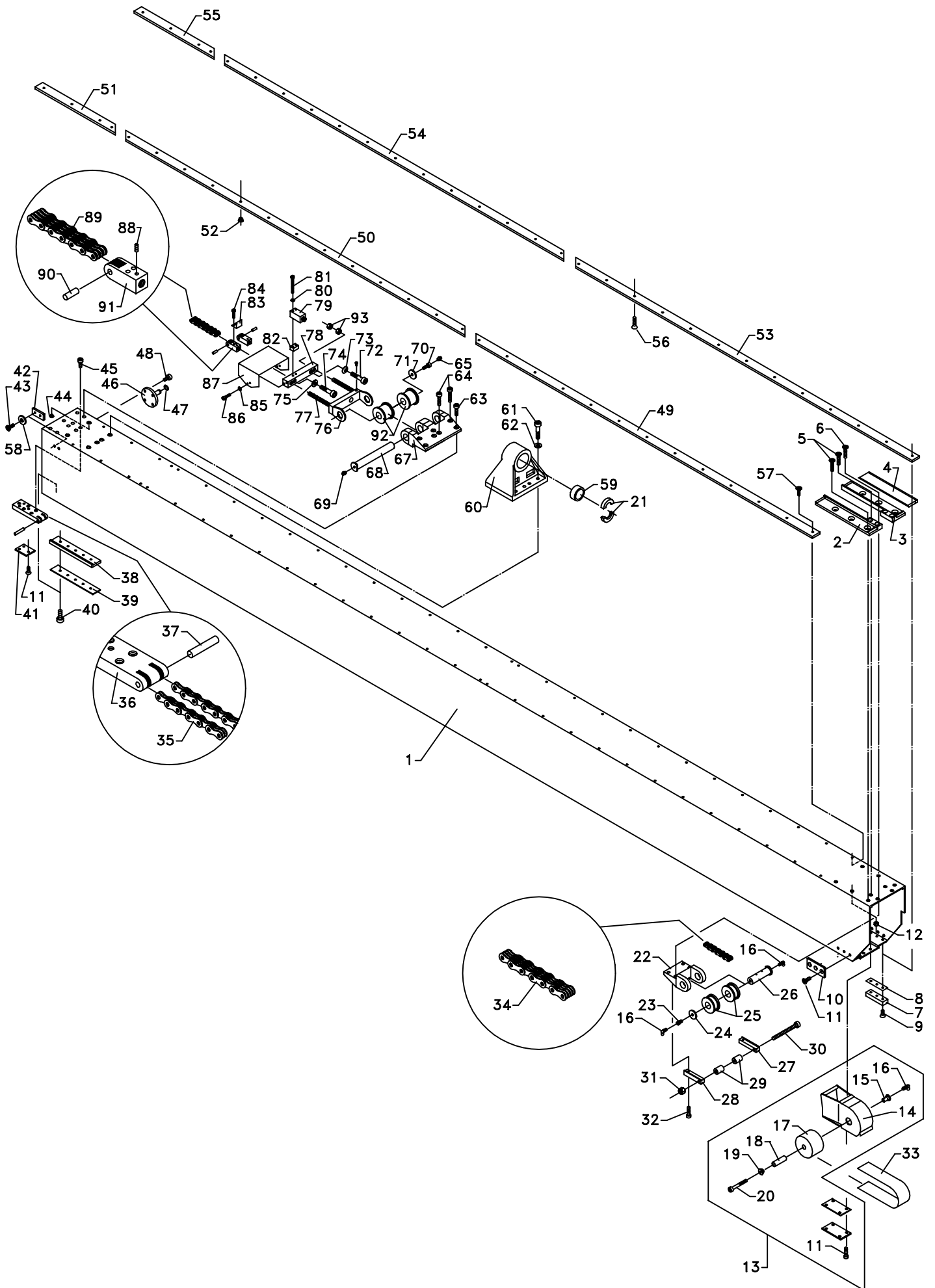


Plate MK25-02a			Rev nr Rev.1	Date 1/1/95
Item. no	Art. no	Description	Note	
1	11221402	Boom section 2, std. type		
2	10725900	Fixture 07259 f. slide face		
3	10720700	Fixture 07207 f. slide face		
4	40720800	Slide face, 07208		
5	02244029	Screw UH A2 M12x40		
6	02244030	Screw UH A2 M12x50		
7	10723300	Guide plate, non-fric		
8	10724600	liner		
9	02244018	Screw UH A2 M8x25		
10	10722400	Guide plate, non-fric		
11	02244017	Screw UH A2 M8x20		
12	02199007	Lock nut A2 M12		
13	10723401			
14	10723500			
15	10724300	Bushing		
16	03500027	Grease nipple, M8 H3 90 degr.		
17	10724100			
18	10724200	Axle		
19	10724400	Bushing		
20	02107020	Screw CH A2 M8x60		
21	10720600			
22	10720900	Chain roller bracket		
23	03500004	Grease nipple,, 1/8"RG 90 Gr.		
24	03500000	Grease nipple, 6mm 90gr		
25	10721000	Chain roller		
26	10721100	Axle f. chain roller		
27	10722600			
28	10725200			
29	10722200	Chain roller		
30	02127038	Screw A2 M6x120		
31	02199004	Lock nut A2 M6		
32	02107007	Screw CH A2 M6x25		
33	03450156	Pilot cable, flat 33m 28 cond.		
34	11213102	Chain		
35	11221702	Chain		
36	40721700	Chain fittings, MK21		
37	02889012	Cylindric pin, 8x50mm		
38	10725600	Slide shoe, A2		
39	10776600	Liner f. slide shoe		
40	10727800	Screw CH A2 M10x17		

Plate MK25-02a			Rev nr Rev.1	Date 1/1/95
Item. no	Art. no	Description	Note	
41	10722500	Slide plate, non-fric		
42	10016922			
43	02107009	Screw CH A2 M6x12		
44	10722700	Press nut M12 - 4.5		
45	02107033	Screw CH A2 M12x45		
46	14001820	Flanged stud		
47	02897000	Circlip, ø15x1.0		
48	02107016	Screw CH A2 M8x16		
49	10726300	Guiding list		
50	11220900	Guiding list		
51	11221000	Guiding list		
52	10716100	Press nut M6		
53	10715400	Guiding list		
54	11212000	Guiding list		
55	11212100	Guiding list		
56	02174005	Screw UH A2 M8x16		
57	02244113	Screw UH A2 M6x14		
58	02818004	Washer A2 M6		
59	10720500			
60	10720300	Anchor f. cylinder, sect.2 MK4		
61	02107031	Screw CH A2 M12x35		
62	02818007	Washer A2 M12		
63	02107031	Screw CH A2 M12x35		
64	02107033	Screw CH A2 M12x45		
65	03500006	Grease nipple, 6mm H1A		
67	10721200	Chain roller bracket		
68	10726200	Axle f. chain roller		
69	03500002	Grease nipple, 1/8"RG		
70	10721900	Lubrication screw, M10		
71	10722000	Washer, ø40x11x5mm		
72	02100030	Screw CH FZB M12x90		
73	03500012	Disc spring, 28x12.2x1.00		
74	02100028	Screw CH FZB M12x75		
75	03500011	Disc spring, 28x12.2x1.00		
76	40721400	Chain adjuster		
77	10777000	Stud bolt M12x140		
78	40724700	Chain buckle		
79	03090018	Llimit switch, XCK-P510		
80	02821001	Washer FZB M4		
81	02151005	Screw UH 4.8 FZB M4x30		

Plate MK25-02a			Rev nr Rev.1	Date 1/1/95
Item. no	Art. no	Description	Note	
82	16008820			
83	16008620			
84	02157001	Screw CH 4.8 FZB M4x10		
85	02818003	Washer A2 M5		
86	02157008	Screw CH 4.8 FZB M5x10		
87	14000720	Guard		
88	02155012	Grub screw A2 M5x10		
89	11221602	Chain MK9/23/25		
90	02889009	Cylindric pin, 8x32mm		
91	40711600	Chain fittings (5x5) m.M4		
91	40771000	Chain fittings (5x5) u.M4		
92	10721300	Chain roller		

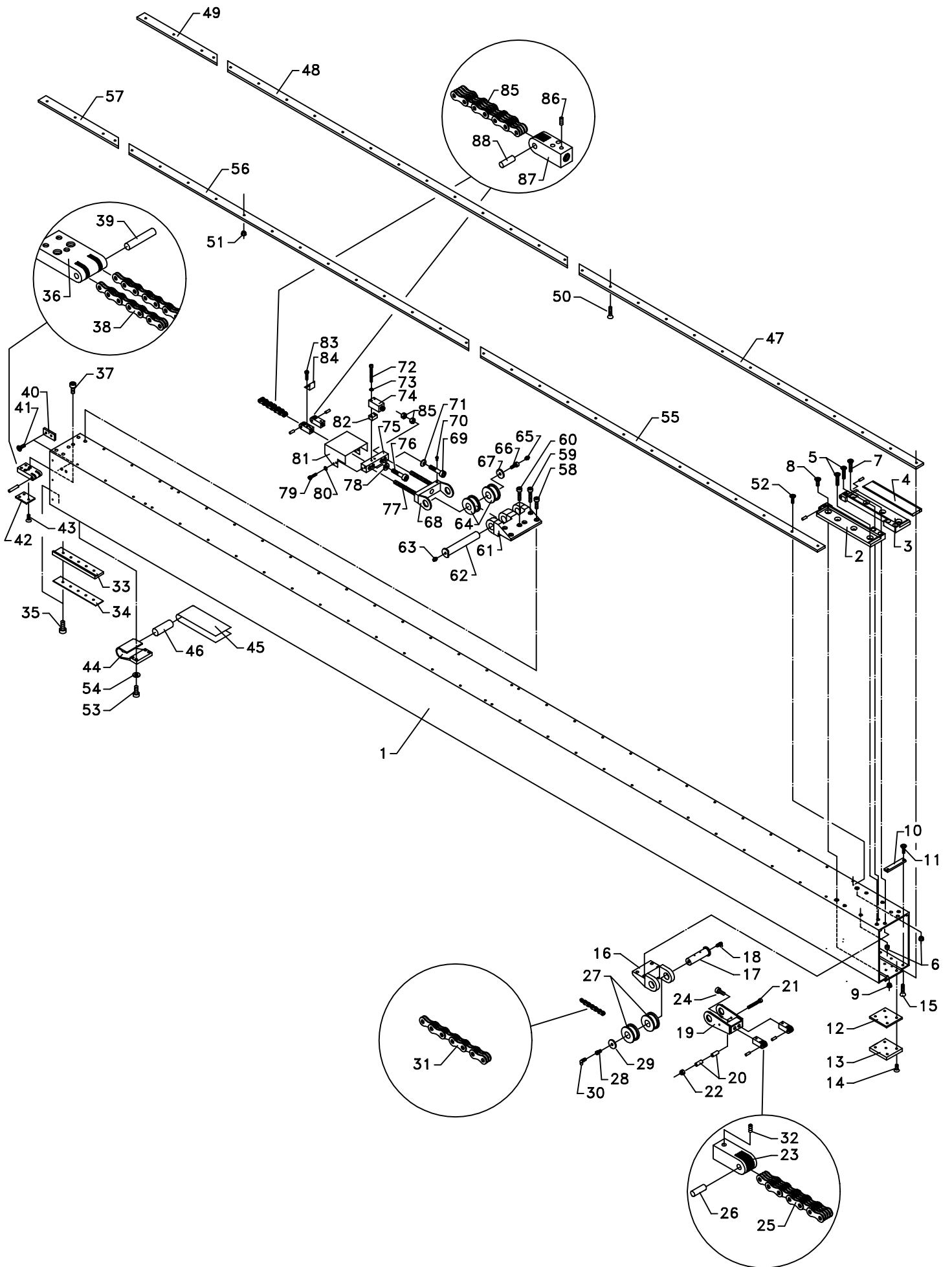


Plate MK25-03aRev nr
Rev.1Date
1/1/95

Item. no	Art. no	Description	Note
1	11230902	Boom section 3, std. type	
2	40733100	Fixture 07331 f. slide face	
3	40730200	Fixture 07302 f. slide face	
4	40730300	Slide face, 07303	
5	02107032	Screw CH A2 M12x40	
6	02199007	Lock nut A2 M12	
7	02107034	Screw CH A2 M12x50	
8	02107031	Screw CH A2 M12x35	
9	10722700	Press nut M12 - 4.5	
10	10731600		
11	02107005	Screw CH A2 M6x16	
12	10731700	liner	
13	10731300	Slide plate/guide pl. non-fric	
14	02244018	Screw UH A2 M8x25	
15	02174005	Screw UH A2 M8x16	
16	10730400	Chain roller bracket	
17	10732800	Axle f. chain roller	
18	03500004	Grease nipple,, 1/8"RG 90 Gr.	
19	40730600	Chain adjuster	
20	10733000	Chain roller	
21	02127029	Screw A2 M6x90	
22	02199004	Lock nut A2 M6	
23	40733200	Chain fittings (4x5) u M4	
24	02107027	Screw CH A2 M10x100	
25	11231102	Chain	
26	02889008	Cylindric pin, 8x28mm	
27	10730500	Chain roller	
28	10721900	Lubrication screw, M10	
29	10722000	Washer, ø40x11x5mm	
30	03500000	Grease nipple, 6mm 90gr	
31	11221702	Chain	
32	02155012	Grub screw A2 M5x10	
33	10732300	Slide shoe, A2	
34	10716900	Liner f. slide shoe	
35	10727800	Screw CH A2 M10x17	
36	40731200	Chain fittings (2x3)	
37	02107032	Screw CH A2 M12x40	
38	11213002	Chain	
39	02889011	Cylindric pin, 8x45mm	
40	10016822		

Plate MK25-03a			Rev nr Rev.1	Date 1/1/95
Item. no	Art. no	Description	Note	
41	02107004	Screw CH A2 M6x10		
42	10722500	Slide plate, non-fric		
43	02151017	Screw UH 4.8 FZB M8x16		
44	10731400	Flat-cable lock, sect. 3, MK4		
45	03450156	Pilot cable, flat 33m 28 cond.		
46	10733300	Lock tube f. cable lock		
47	10726300	Guiding list		
48	11220900	Guiding list		
49	11221000	Guiding list		
50	02174005	Screw UH A2 M8x16		
51	10716100	Press nut M6		
52	02244000	Screw UH A2 M6x13		
53	02107007	Screw CH A2 M6x25		
54	02818004	Washer A2 M6		
55	10733600	Guiding list		
56	11230600	Guiding list		
57	11230700	Guiding list		
58	02107031	Screw CH A2 M12x35		
59	02107033	Screw CH A2 M12x45		
60	02107032	Screw CH A2 M12x40		
61	10730800	Chain roller bracket		
62	10732900	Axle f. chain roller		
63	03500002	Grease nipple, 1/8"RG		
64	10730900	Chain roller		
65	03500006	Grease nipple, 6mm H1A		
66	10721900	Lubrication screw, M10		
67	10722000	Washer, ø40x11x5mm		
68	40731000	Chain adjuster		
69	02100030	Screw CH FZB M12x90		
70	02155012	Grub screw A2 M5x10		
71	03500012	Disc spring, 28x12.2x1.00		
72	02151005	Screw UH 4.8 FZB M4x30		
73	02821001	Washer FZB M4		
74	03090018	Llimit switch, XCK-P510		
75	40732000	Chain buckle, sect. 3		
76	02100026	Screw CH FZB M12x55		
77	10777000	Stud bolt M12x140		
78	03500011	Disc spring, 28x12.2x1.00		
79	02157008	Screw CH 4.8 FZB M5x10		
80	02818003	Washer A2 M5		

Plate MK25-03a			Rev nr Rev.1	Date 1/1/95
Item. no	Art. no	Description	Note	
81	13002420	Guard		
82	16008820			
83	02157001	Screw CH 4.8 FZB M4x10		
84	10004220			
85	11231102	Chain		
86	02155012	Grub screw A2 M5x10		
87	40733200	Chain fittings (4x5) u M4		
87	40730700	Chain fittings (4x5) m M4		
88	02889008	Cylindric pin, 8x28mm		

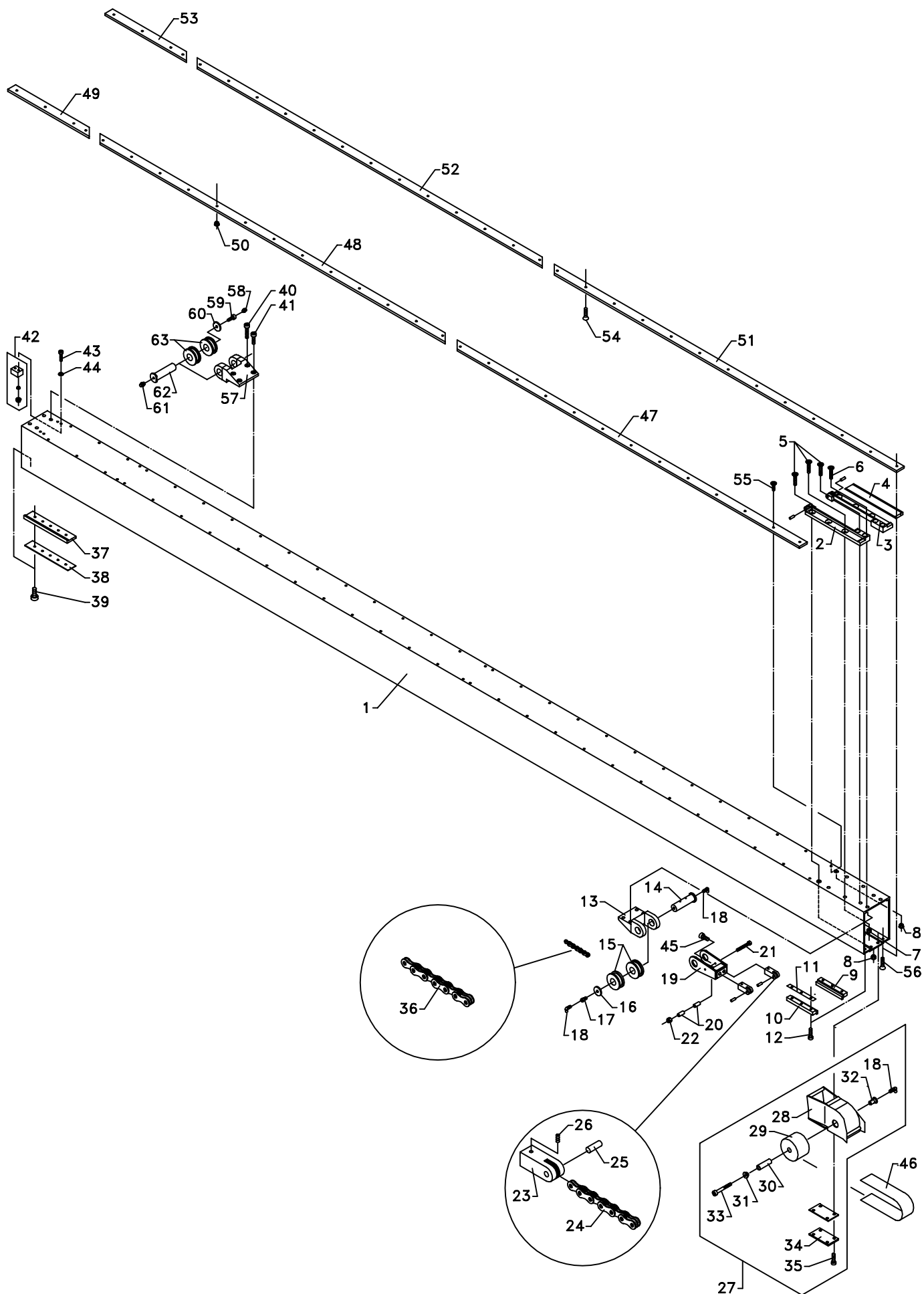


Plate MK25-04a			Rev nr Rev.1	Date 1/1/95
Item. no	Art. no	Description	Note	
1	11240401	Boom section 3/4 MK 24/25, std. type		
2	40743100	Fixture 07431 f. slide face		
3	40740200	Fixture 07402 f. slide face		
4	40740300	Slide face, 07403		
5	02244029	Screw UH A2 M12x40		
6	02244030	Screw UH A2 M12x50		
7	02199005	Lock nut A2 M8		
8	10722700	Press nut M12 - 4.5		
9	10743300	Slide shoe, 07433 L		
10	10741700	Slide shoe, 07417 R		
11	10741800			
12	02244008	Screw UH A2 M6x20		
13	10740400	Chain roller bracket		
14	10742800	Axle f. chain roller		
15	10740500	Chain roller		
16	03500000	Grease nipple, 6mm 90gr		
17	03500004	Grease nipple,, 1/8"RG 90 Gr.		
18	03500027	Grease nipple, M8 H3 90 degr.		
19	40740600	Chain adjuster		
20	10743000	Chain roller		
21	02127028	Screw A2 M6x80		
22	02126004	Nut A2 M6		
23	40740700	Chain fittings (2x3) u.M4		
24	11221702	Chain		
25	02989001			
26	02155012	Grub screw A2 M5x10		
27	10741101			
28	10741200			
29	10724100			
30	40724200	Axle		
31	10724400	Bushing		
32	10724300	Bushing		
33	02244035	Screw UH A2 M8x60		
34	10741600			
35	02244018	Screw UH A2 M8x25		
36	11231202	Chain		
37	10742300	Slide shoe, A2		
38	10776700	Liner f. slide shoe		
39	02107022	Screw CH A2 M10x16		
40	02107033	Screw CH A2 M12x45		

Plate MK25-04a			Rev nr Rev.1	Date 1/1/95
Item. no	Art. no	Description	Note	
41	02107004	Screw CH A2 M6x10		
42	10744700	Slide plate, non-fric		
43	02107007	Screw CH A2 M6x25		
44	02818004	Washer A2 M6		
45	02100025	Screw CH FZB M12x50		
46	03450156	Pilot cable, flat 33m 28 cond.		
47	10743600	Guiding list		
48	11240500	Guiding list		
49	11240600	Guiding list		
50	10716100	Press nut M6		
51	10733600	Guiding list		
52	11230600	Guiding list		
53	11230700	Guiding list		
54	02174005	Screw UH A2 M8x16		
55	02244000	Screw UH A2 M6x13		
56	02174005	Screw UH A2 M8x16		
57	10740800	Chain roller bracket		
58	03500026	Grease nipple, M8 H1		
59	10721900	Lubrication screw, M10		
60	10722000	Washer, ø40x11x5mm		
61	03500002	Grease nipple, 1/8"RG		
62	10742900	Axle f. chain roller		
63	10721000	Chain roller		

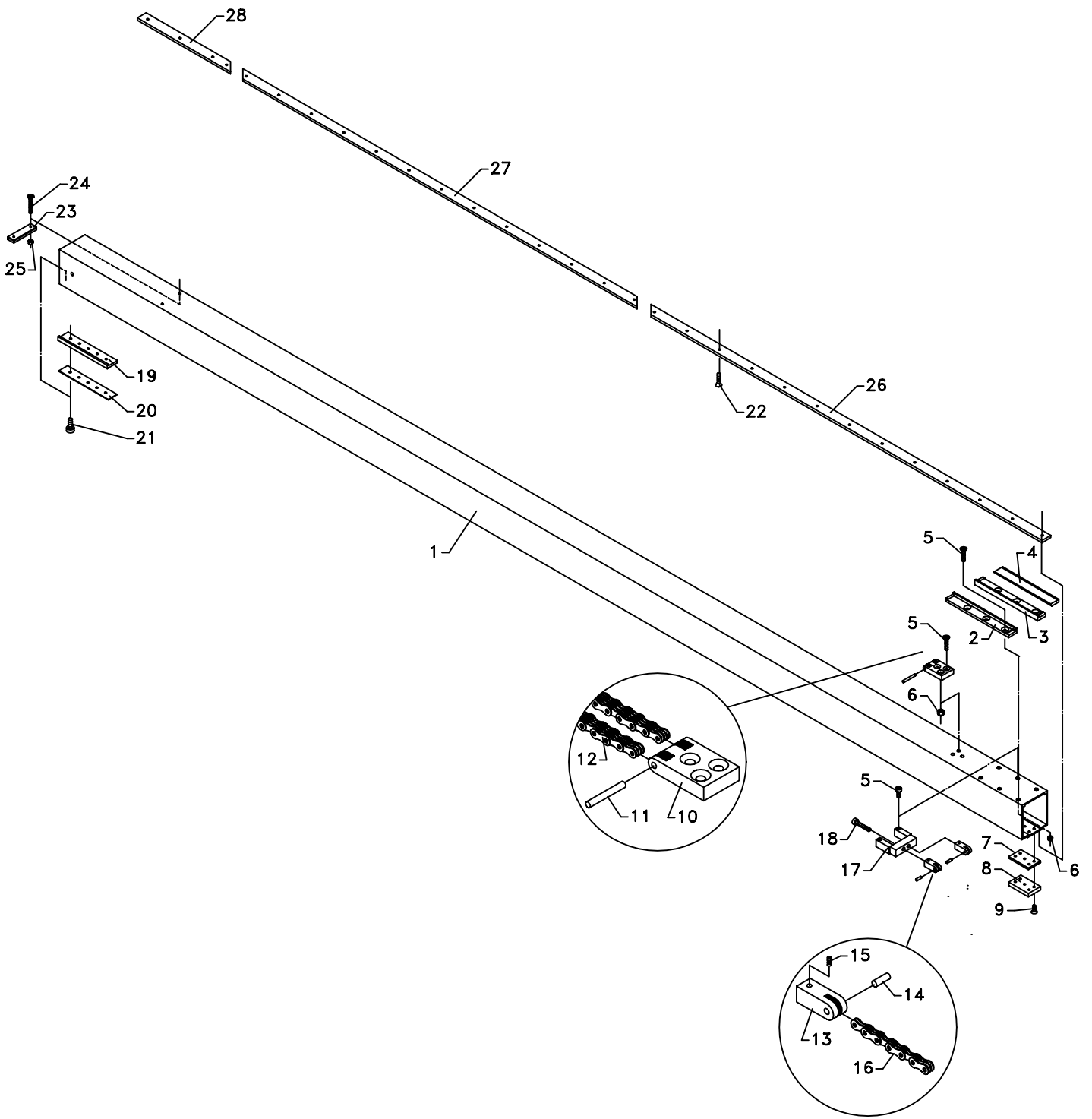


Plate MK25-05a			Rev nr Rev.1	Date 1/1/95
Item. no	Art. no	Description	Note	
1	11251501	Boom section 5, std. type		
2	10751300	Fixture 07513 f. slide face		
3	10750200	Fixture 07502 f. slide face		
4	40750300	Slide face 07503, sect.5 rear		
5	02107032	Screw CH A2 M12x40		
6	02199007	Lock nut A2 M12		
7	10751200	liner		
8	10750600	Slide plate/guide pl. non-fric		
9	02244017	Screw UH A2 M8x20		
10	40750500	Chain fittings (4x5)		
11	02989006			
12	11231102	Chain		
13	40740700	Chain fittings (2x3) u.M4		
14	02989001			
15	02155012	Grub screw A2 M5x10		
16	11231202	Chain		
17	40750400	Chain adjuster		
18	02100025	Screw CH FZB M12x50		
19	10743600	Guiding list		
20	11240500	Guiding list		
21	11240600	Guiding list		
22	02174008	Screw UH A2 M6x25		
23	10751000	Flat-cable lock		
24	02244013	Screw UH A2 M6x50		
25	02199004	Lock nut A2 M6		

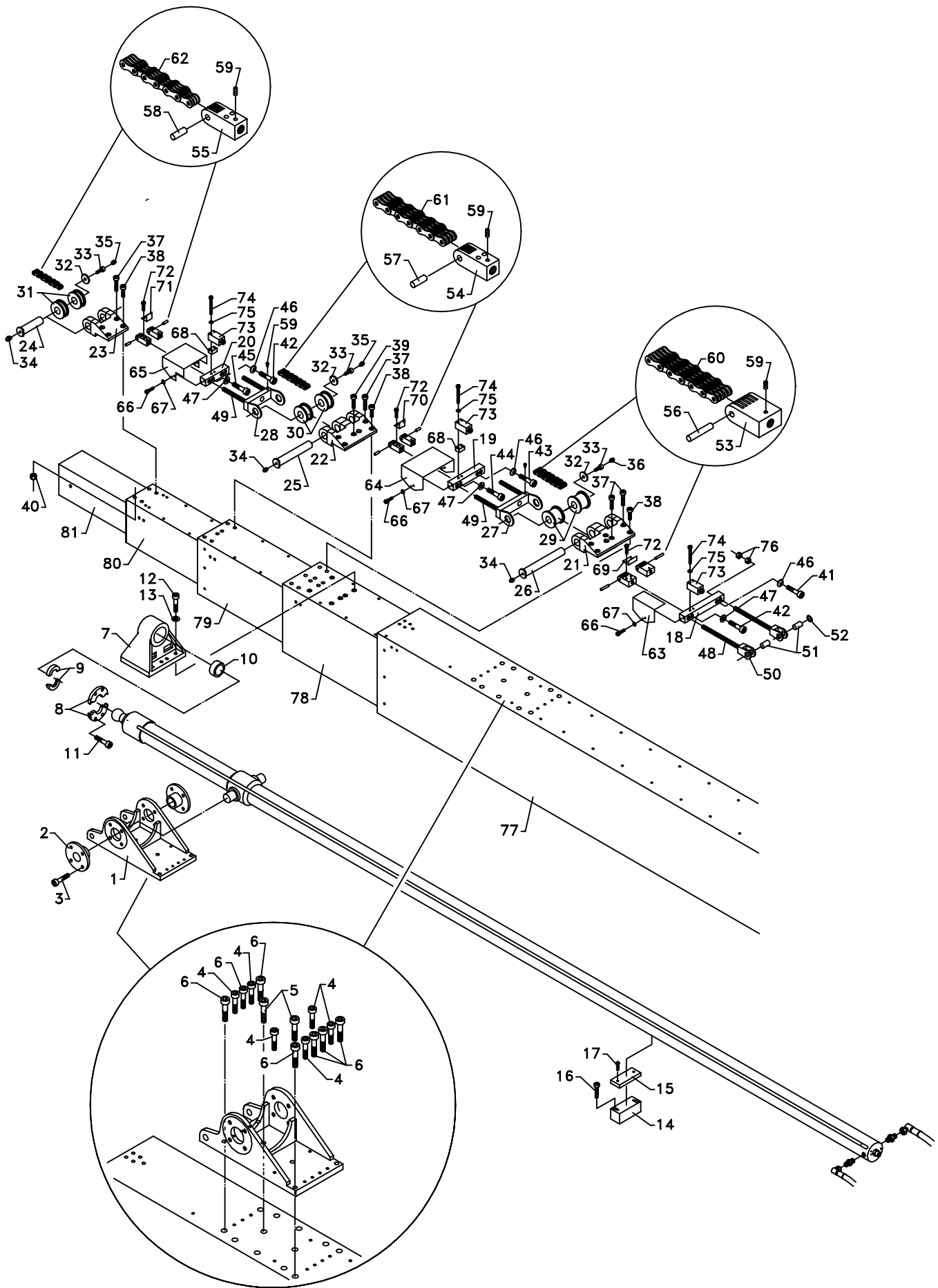


Plate MK25-06a			Rev nr Rev.1	Date 1/1/95
Item. no	Art. no	Description	Note	
1	10710200	Cylinder carriage sect.1, MK4		
2	10710300	Flange f. boom cyl. fixture		
3	02107029	Screw CH A2 M12x25		
4	10775800	Screw CH A2 M12x28		
5	10775900	Screw CH A2 M12x33		
6	02107030	Screw CH A2 M12x30		
7	10720300	Anchor f. cylinder, sect.2 MK4		
8	10720400	Flange, two-piece		
9	10720600			
10	10720500			
11	02107030	Screw CH A2 M12x30		
12	02107031	Screw CH A2 M12x35		
13	02818007	Washer A2 M12		
14	10714300			
15	10771700	Rubber pad f. cylinder support		
16	02107018	Screw CH A2 M8x45		
17	02107007	Screw CH A2 M6x25		
18	40717300	Chain adjuster		
19	40724700	Chain buckle		
20	40732000	Chain buckle, sect. 3		
21	10721200	Chain roller bracket		
22	10730800	Chain roller bracket		
23	10740800	Chain roller bracket		
24	10742900	Axle f. chain roller		
25	10732900	Axle f. chain roller		
26	10726200	Axle f. chain roller		
27	40721400	Chain adjuster		
28	40731000	Chain adjuster		
29	10721300	Chain roller		
30	10730900	Chain roller		
31	10721000	Chain roller		
32	10722000	Washer, ø40x11x5mm		
33	10721900	Lubrication screw, M10		
34	03500002	Grease nipple, 1/8"RG		
36	03500006	Grease nipple, 6mm H1A		
37	02107033	Screw CH A2 M12x45		
38	02107031	Screw CH A2 M12x35		
39	02107032	Screw CH A2 M12x40		
40	02199007	Lock nut A2 M12		
41	02100028	Screw CH FZB M12x75		

Plate MK25-06a			Rev nr Rev.1	Date 1/1/95
Item. no	Art. no	Description	Note	
42	02100030	Screw CH FZB M12x90		
43	02100029	Screw CH FZB M12x80		
44	02100027	Screw CH FZB M12x60		
45	02100026	Screw CH FZB M12x55		
46	03500012	Disc spring, 28x12.2x1.00		
47	03500011	Disc spring, 28x12.2x1.00		
48	10774300	Stud bolt M12x230		
49	10777000	Stud bolt M12x140		
50	40711400	Chain adjuster		
51	10714400	Axle		
52	02497002	Circlip, ø20x1.2 A2		
53	40771000	Chain fittings (5x5) u.M4		
53	40711600	Chain fittings (5x5) m.M4		
54	40726500	Chain fittings (3x3) u.M4		
54	40721600	Chain fittings (3x3)m.M4		
55	40733200	Chain fittings (4x5) u M4		
55	40730700	Chain fittings (4x5) m M4		
56	02889011	Cylindric pin, 8x45mm		
57	02889009	Cylindric pin, 8x32mm		
58	02889008	Cylindric pin, 8x28mm		
59	02155012	Grub screw A2 M5x10		
60	11213002	Chain		
61	11221602	Chain MK9/23/25		
62	11231102	Chain		
63	14000820	Guard		
64	14000720	Guard		
65	13002420	Guard		
66	02157008	Screw CH 4.8 FZB M5x10		
67	02818003	Washer A2 M5		
68	16008820			
69	16008720			
70	16008620			
71	10004220			
72	02157001	Screw CH 4.8 FZB M4x10		
73	03090018	Llimit switch, XCK-P510		
74	02151005	Screw UH 4.8 FZB M4x30		
75	02821001	Washer FZB M4		
76	02115006	Nut 8 FZB M12		
77	11210802	Boom section 1, std. type		
78	11221402	Boom section 2, std. type		

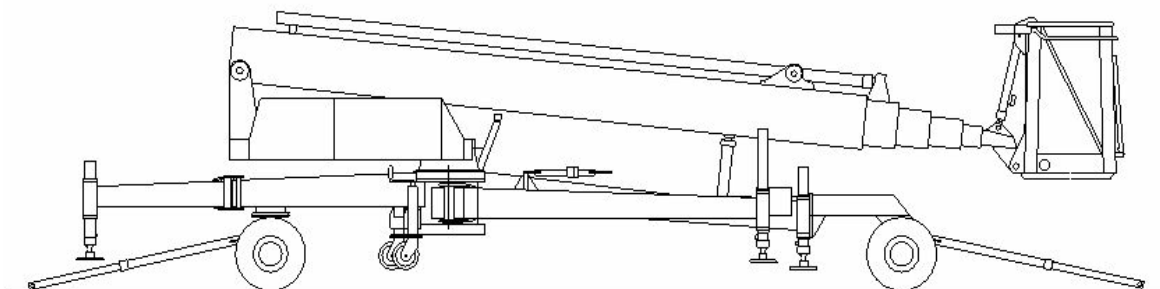
Plate MK25-06a			Rev nr Rev.1	Date 1/1/95
Item. no	Art. no	Description	Note	
79	11230902	Boom section 3, std. type		
80	11240401	Boom section 3/4 MK 24/25, std. type		
81	11251501	Boom section 5, std. type		

**RESERVEDELS-
KATALOG**

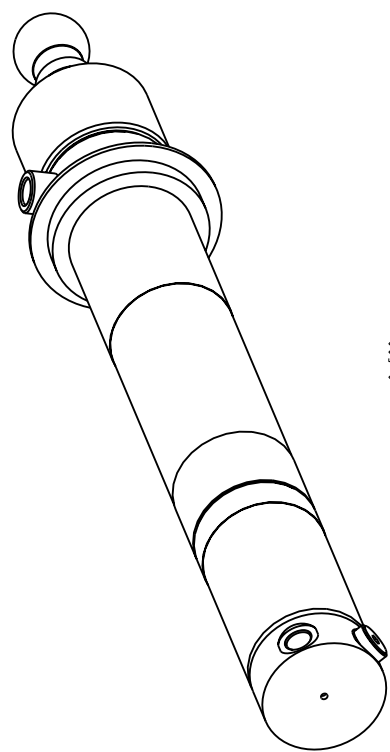
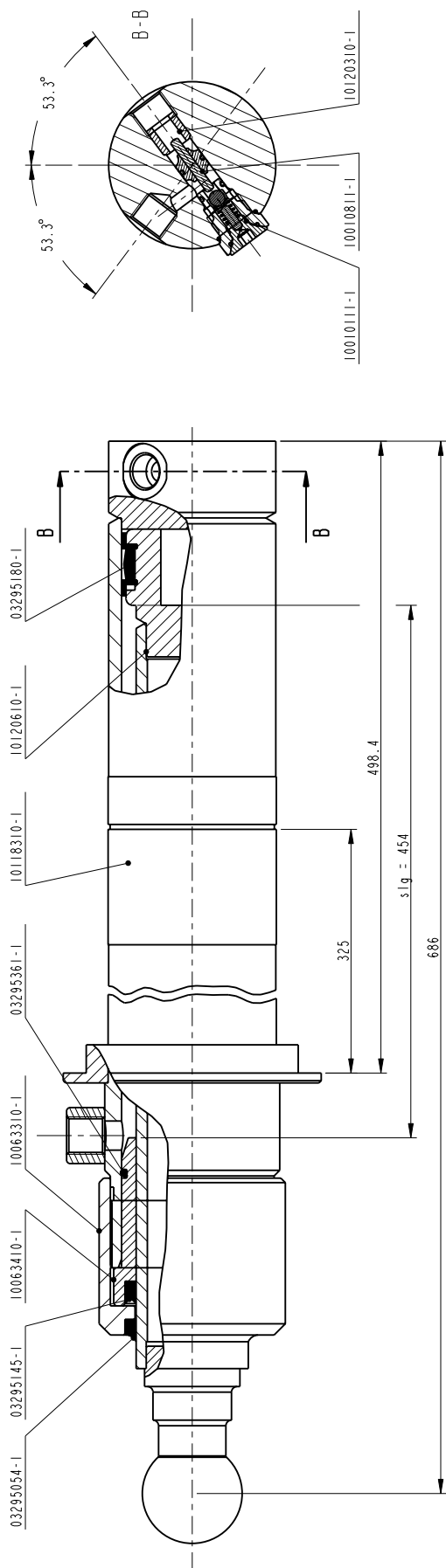
**SPARE PARTS
CATALOGUE**

**ERSATZTEILS-
KATALOG**

DENKA·LIFT
|||||



**CYLINDER
ZYLINDER**

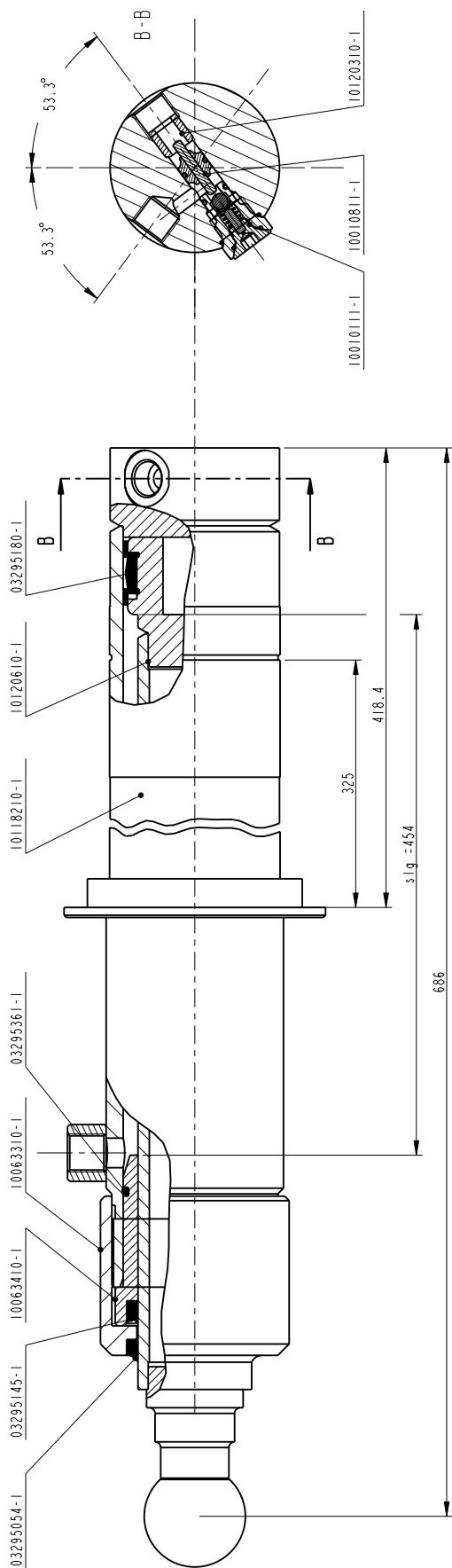


0.500

Arbejdstryk: 200 bar
 Prøvetryk: 250 bar
 NOTE: Komplet pakningsset: vare.nr. 10058112
 Note: Males 80-120 µm

Rev. C Tegnet i Pro.		08-Jan-01	CMH
Intercess if not otherwise indicated	Formel	0.750	Supersedes drawing no.
	Scale	A2	Supersedes by drawing no.
Weight in kg:	Approved by		
13.278	DAIS-63/50-454-FK-HS		
Sheet	Printed by		
1	CMH 08-Jan-01		
Total sheets	Drawing no.		
2	40118011		

DENKA-LIFT
 Højvang 5, DK-4300 Hvidebø - Phone: +45 59455500 Fax: +45 59442155
 Støttebæncylinder DK3, foran
 Outtrigger cylinder DK3, front
 Stützbeincylinder DK3, Front



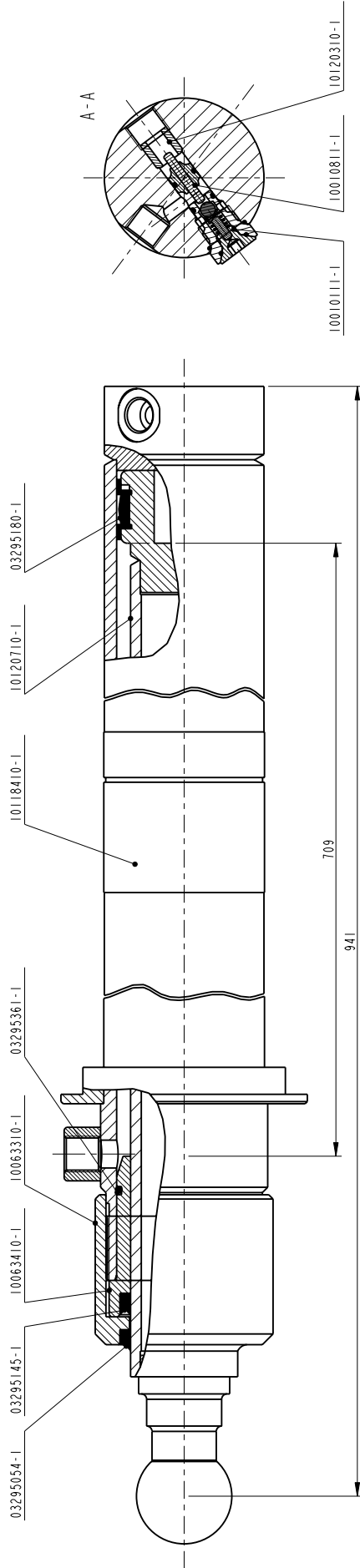
Arbejdsdruk: 200 bar
 Prøvedruk: 250 bar

NOTE: Komplet pakningsset: vare.nr. 10058112

Note: Males 80-120 µm

Rev. C Tegnet i Pro.		08-Jan-01	CMH
Intercess if not otherwise indicated	Formel	0.750	Supersedes drawing no.
	Scale	A2	Supersedes by drawing no.
	Weight in kg:	Approved by	
	13.278	DAIS-63/50-454-FK-HS	
	Sheet	Støttebencylinder DK3, bag	
	Total sheets	Utrigger cylinder DK3, back	
		Stützbeincyliner DK3, Hinten	
		40117911	

0.500



Arbejdsdruk: 200 bar
 Prøvetryk: 250 bar

Note: Komplet pakningsset: vare.nr. 10058112

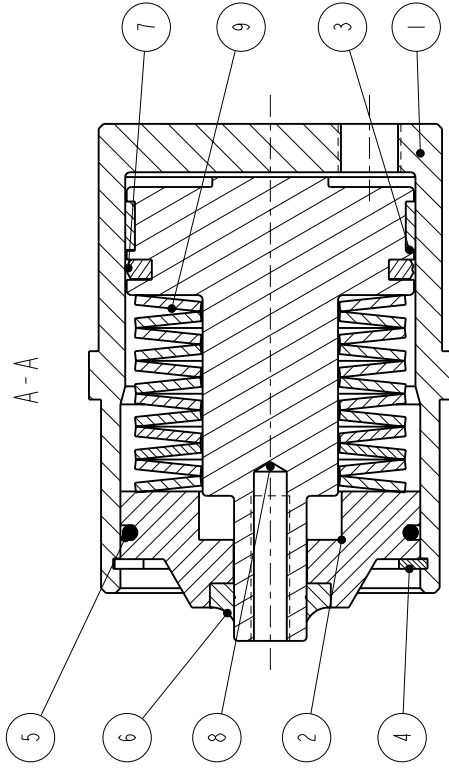
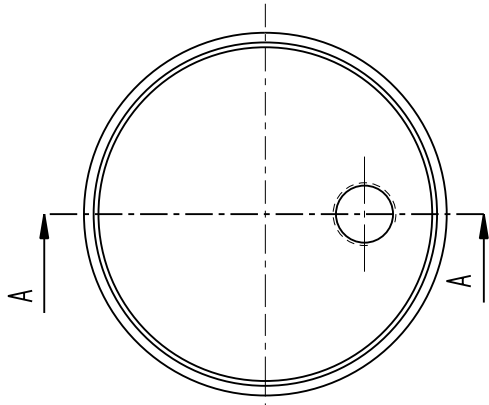
Note: Males 80-120 µm

Rev. C	Teget i Pro.	10-Jan-01	CMH
Formel	0.750	Supersedes drawing no.	
Skala	A2	Supersedes by drawing no.	
DENKA-LIFT Højvang 5, DK-4200 Hvidebø - Phone: +45 59455500 Fax: +45 59442155			
Approved by DALS-63/50-454-FK-HS			
Drawn by CMH 10-Jan-01			
Drawing no.			
Støttebæncylinder DK3, side			
Outrigger cylinder DK3, side			
Stützbeincylinder DK3, Side			
Total sheets 40118111			

0.400

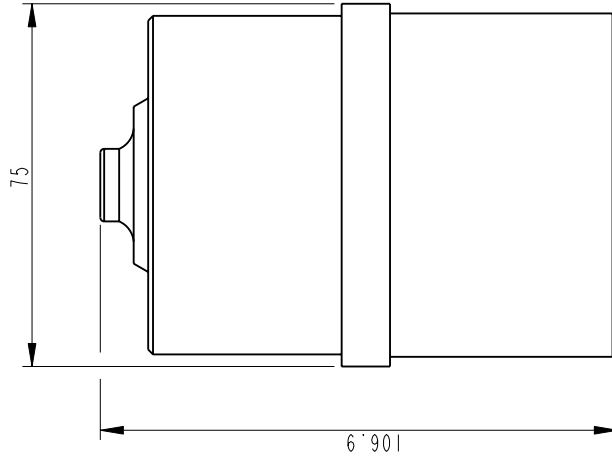
11	Stemp
10	Pril
9	Pril
8	PANI
7	PANI
6	Omab
5	Omab
4	Omab
3	Cylin
2	Beon
1	

A B C D E F

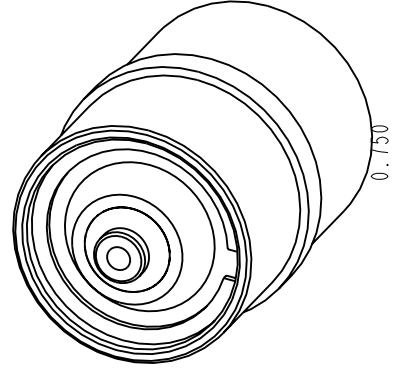


A - A

Arbejdsdruk: 200 Bar
Trykprøves: 250 Bar



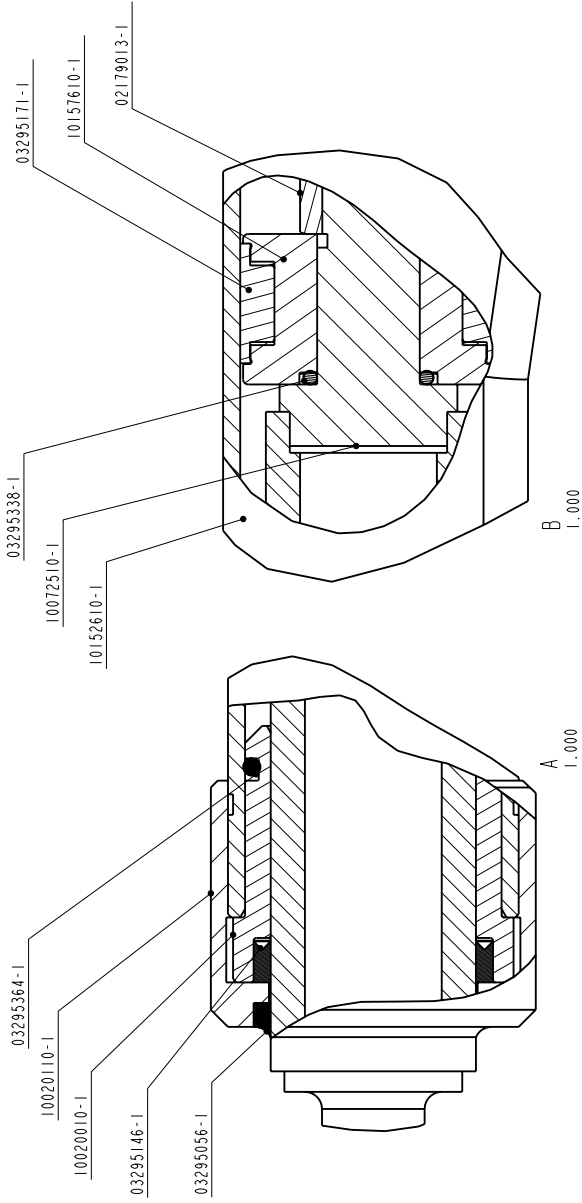
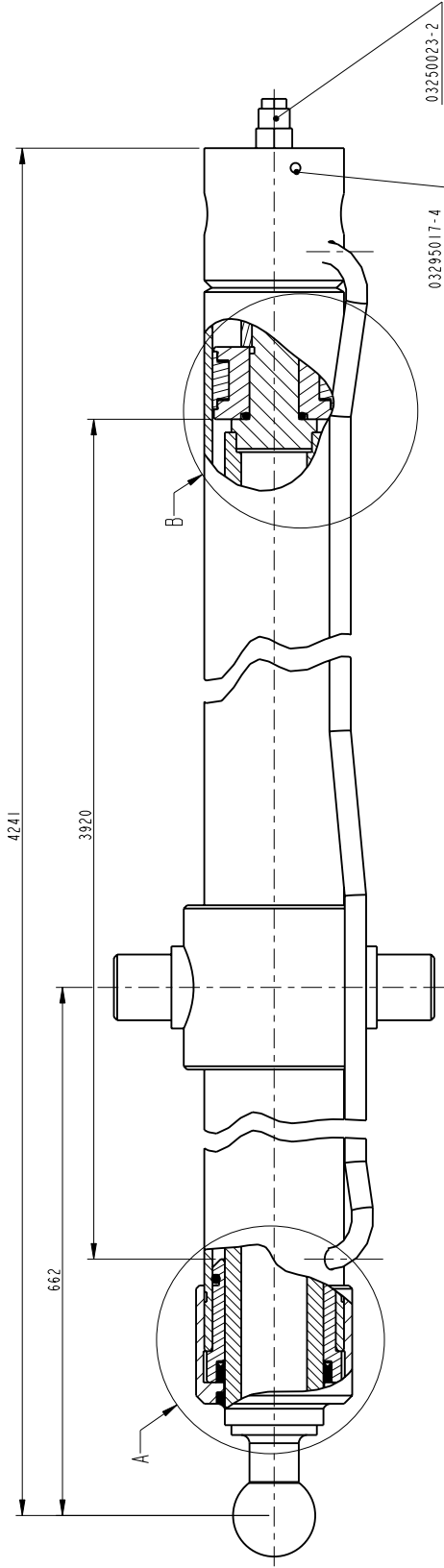
Note: Moles 80-120 µm



Note: Komplet pakn. sæt, pos. 3, 5 og 6, vnr. 10104312

Rev. B	Tegnet i Pro-E	07-Mar-00	SH			
9	T-fjeder 56x28.5x2	12	03500040 0.028			
8	Stempel 01103038	I S355 J263	EN 10025 10104610 0.671			
7	Simko 300 60-49-4	I	03295186 0.000			
6	Pakn. AS 15-25-5-8	I	03295062 0.005			
5	O-RING 55x3	I	03295410 0.000			
4	Låserring J62 Ø62x2.0	I	02898010			
3	EFFK Føringsbånd 60-56-10	I	03295120 0.000			
2	Dækkel 1401003	I	10104510 0.325			
1	Cylinderrør 01103040	I S355 J263	EN 10025 10104410 1.008			
Item	Subject	No.	Quality	Standard	Id no.	Weight
Tolerances if not otherwise indicated						
Hejvang 5, DK-4300 Holbæk - Phone +45 59455500 Fax +45 59442155						
Approved by						
Scale 1:000						
Supersedes drwg. no.						
Format A3						
Supersedes by drwg. no.						
Weight in kg. 2.428						
SAIS - 60/28 - 10						
Bremsecylinder						
Drawing no. 40104311						
Drawn by SH 07-Mar-00						

A B C D E F

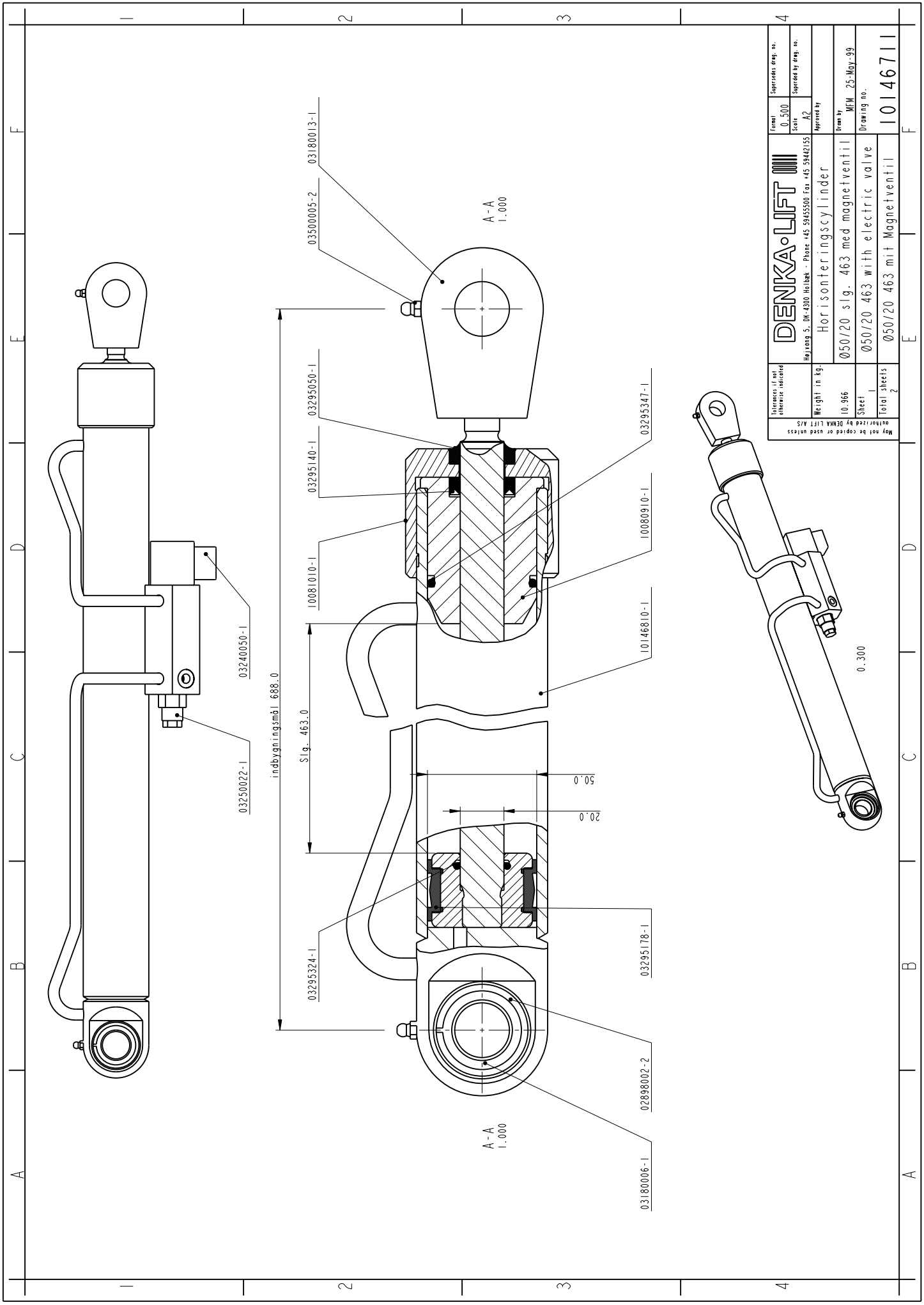


Arbejdstryk: 200 Bar
 Trykprøves: 250 Bar
 NOTE: Komplet pakningsset varenr. 10160110
 Note: Males 80-120 µm

Rev. F	Stempel 10019910 udskiftet med 10157610	08-Apr-02	PBM
Rev. E	Cylinder 10072210 udskiftet med 10152610	20-Oct-99	MEF
Tolerances if not otherwise indicated		Formel 0-500	Supersedes drawing no.
Scale 1:2		Scale A2	Superseded by drawing no.
Approved by			
Weight in kg		DAIS-75760-3920-VK-HS	
101.685		Bomcylinder 25m MK25	
Sheet		Bomcylinder 25m MK25	
Total sheets		Auslegercylinder 25m MK25	
		10072011	

DENKA-LIFT
 Højvang 5, DK-4200 Hvidebæk - Phone +45 59455500 Fax +45 59442155
 DENKA-LIFT logo

May not be copied or used unless authorized by DENKA LIFT A/S



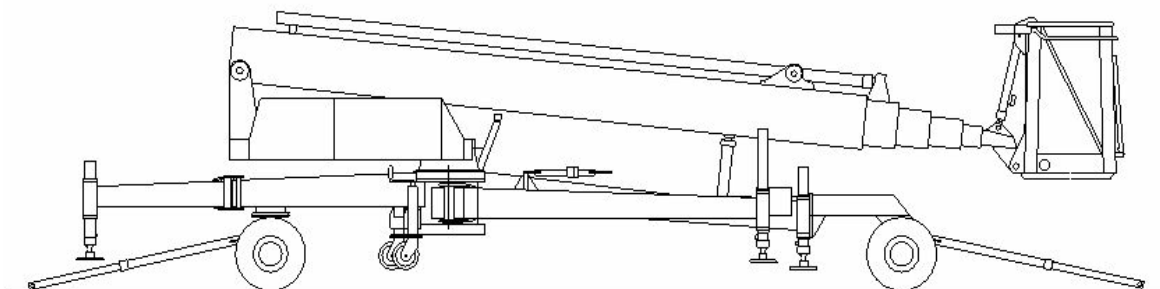
Tolerances if not otherwise indicated	Formel	Supersedes drawing no.
	0.500	
Weight in kg	Scale	Superseded by drawing no.
	10.966	A2
Total sheets	Approved by	
	2	
<p>DENKA-LIFT</p> <p>Horisonteringscylinder</p> <p>Ø50/20 slg. 463 med magnetventil</p> <p>Ø50/20 463 with electric valve</p> <p>Ø50/20 463 mit Magnetventil</p>		
<p>May not be copied or used unless authorized by DENKA LIFT A/S</p>		
<p>From by: MFN 25-Maj-99</p> <p>Drawing no. 10146711</p>		

**RESERVEDELS-
KATALOG**

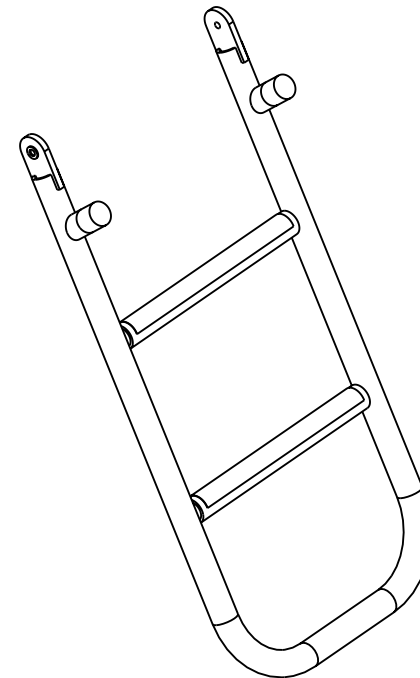
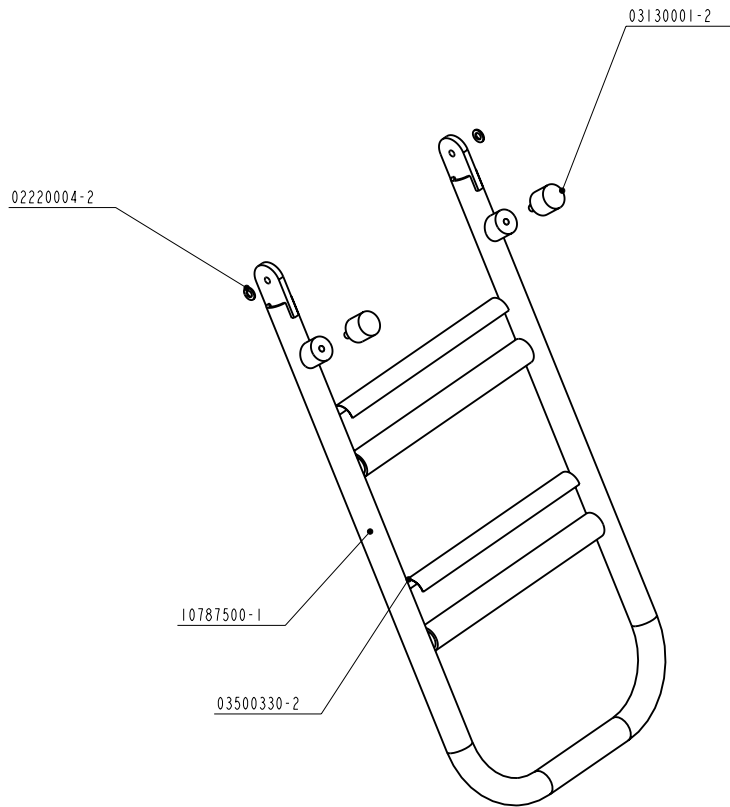
**SPARE PARTS
CATALOGUE**

**ERSATZTEILS-
KATALOG**

DENKA·LIFT
|||||

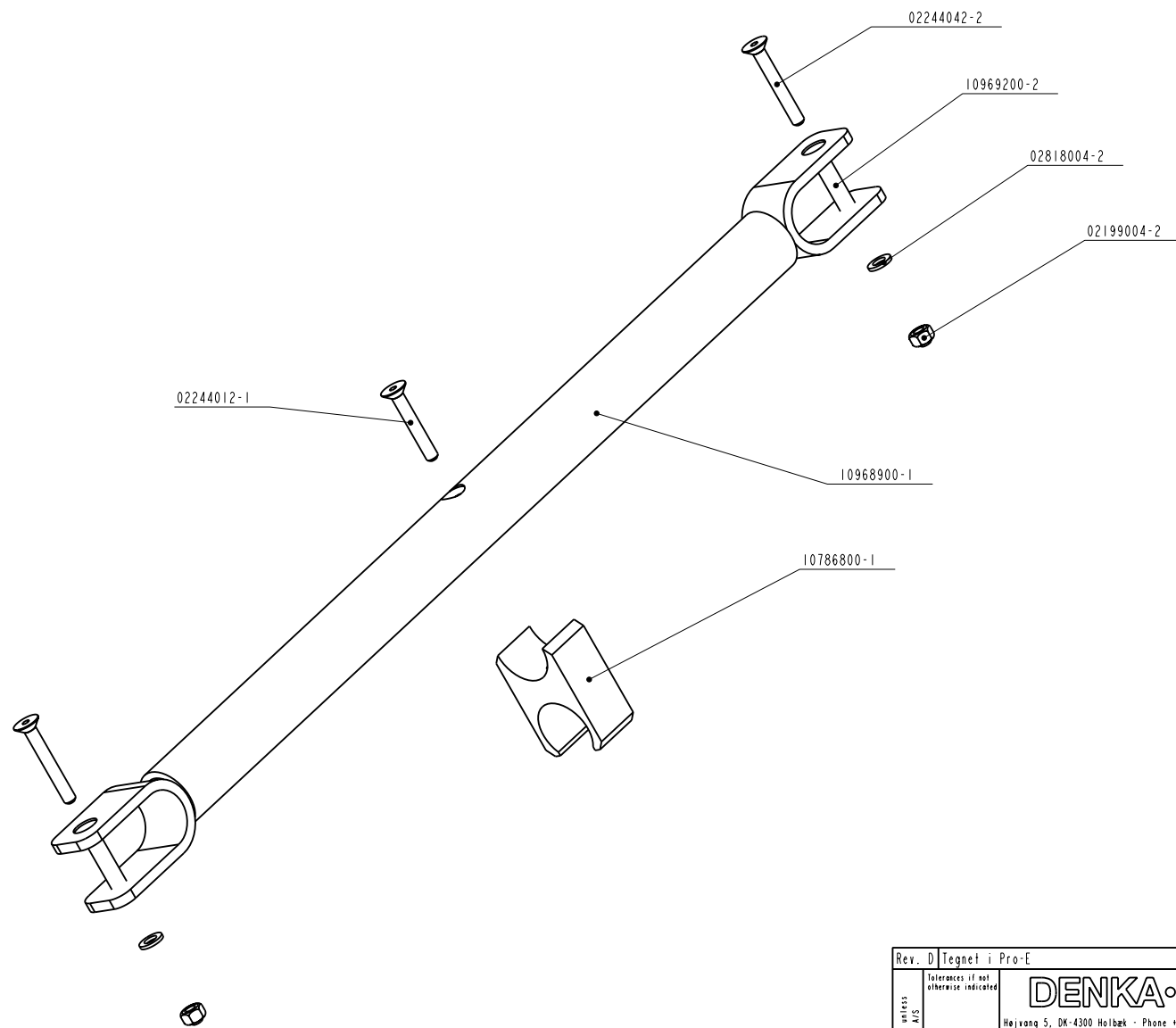



**KURV
BASKET
KORB**

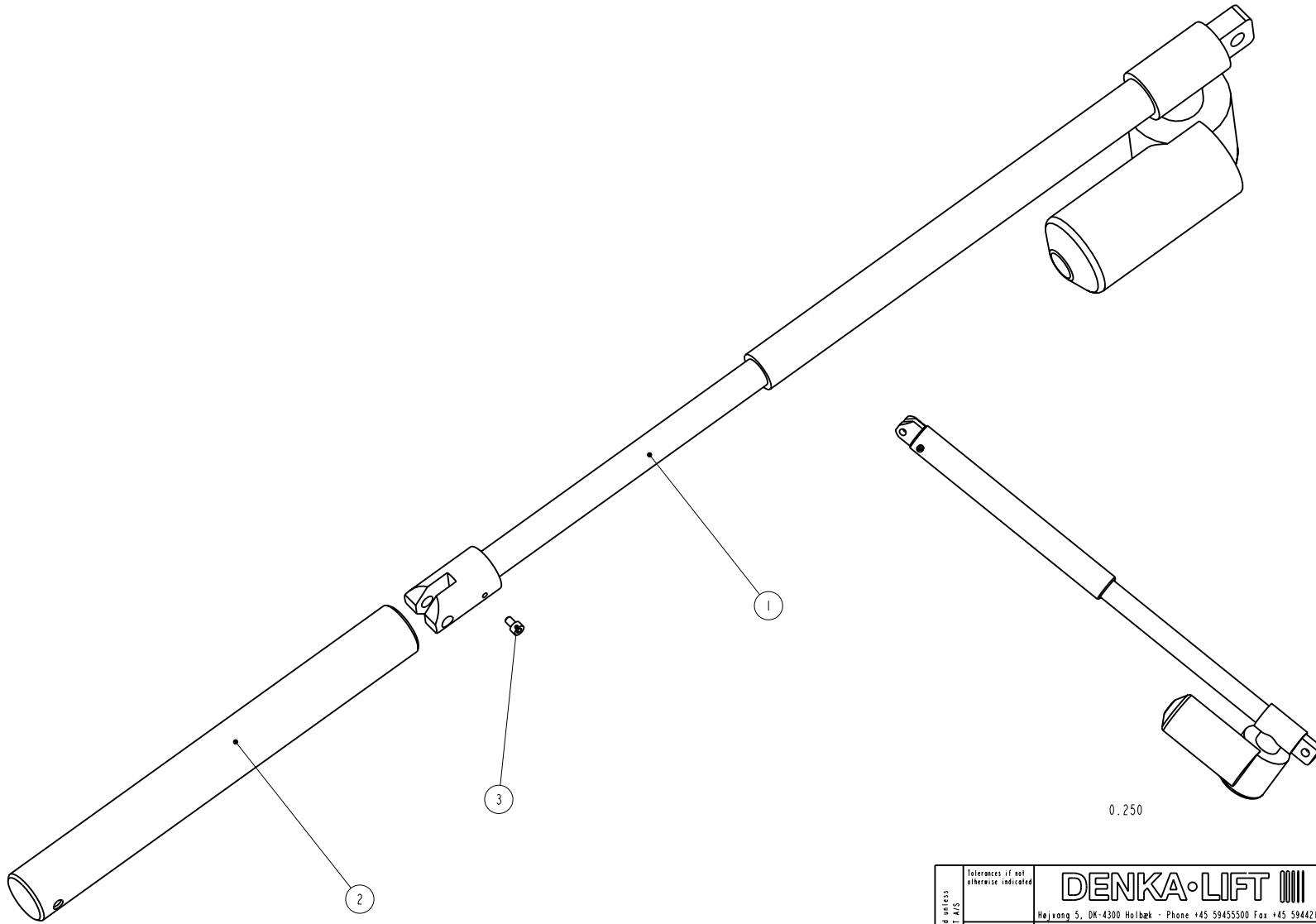


May not be copied or used unless authorized by DENKA LIFT A/S	Tolerances if not otherwise indicated	DENKA-LIFT 	Format	Supersedes drag. no.
	DS 2768-1 m		0_250	Supersedes by drag. no.
	Weight in kg.	Højvang 5., DK-4300 Holbæk - Phone +45 59455500 Fax +45 59442155	Scale	A2
	7850.000	Kurv	Approved by	
	Sheet	Stige kpl. f. kurv	Drawn by	MFM 03-Jan-01
Total sheets	Latter montiert	Drawing no.		
	Leiter montiert		10772601	

4	Stige
3	Skrå
2	Rundg.
1	Nylon

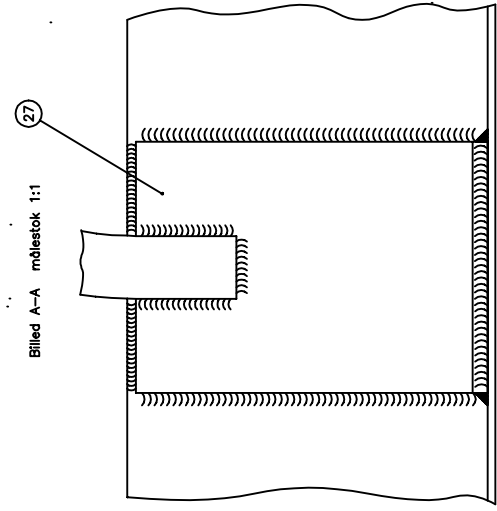
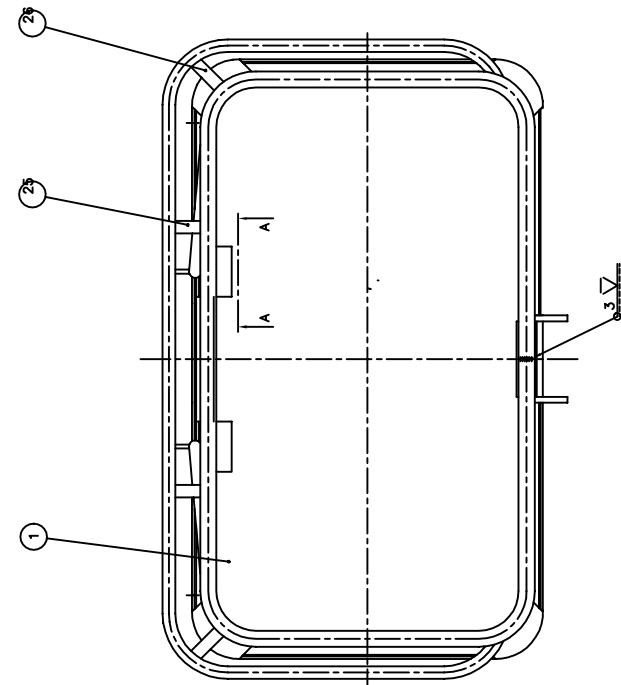
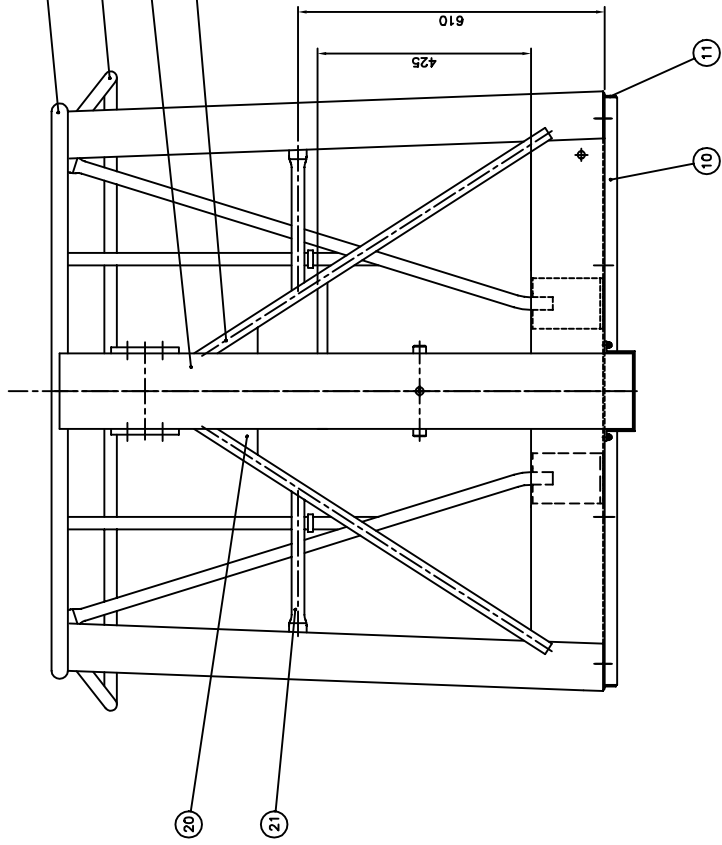
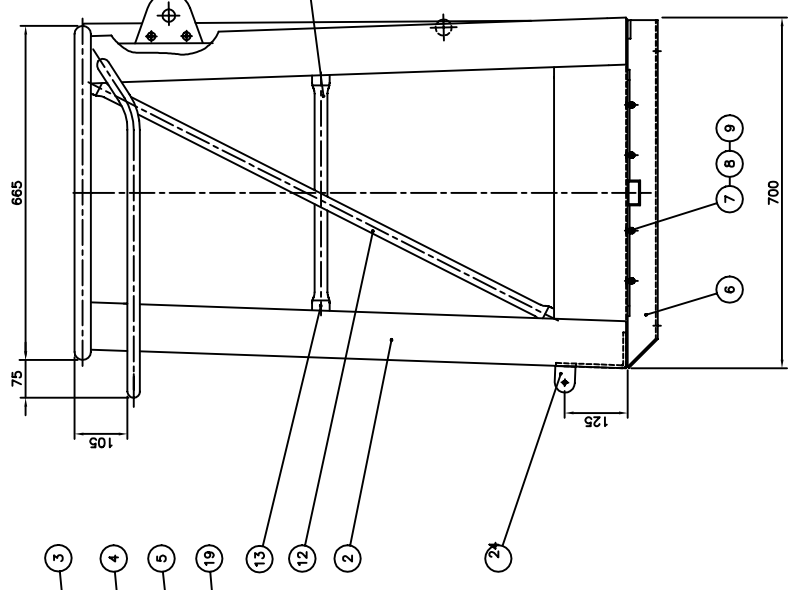
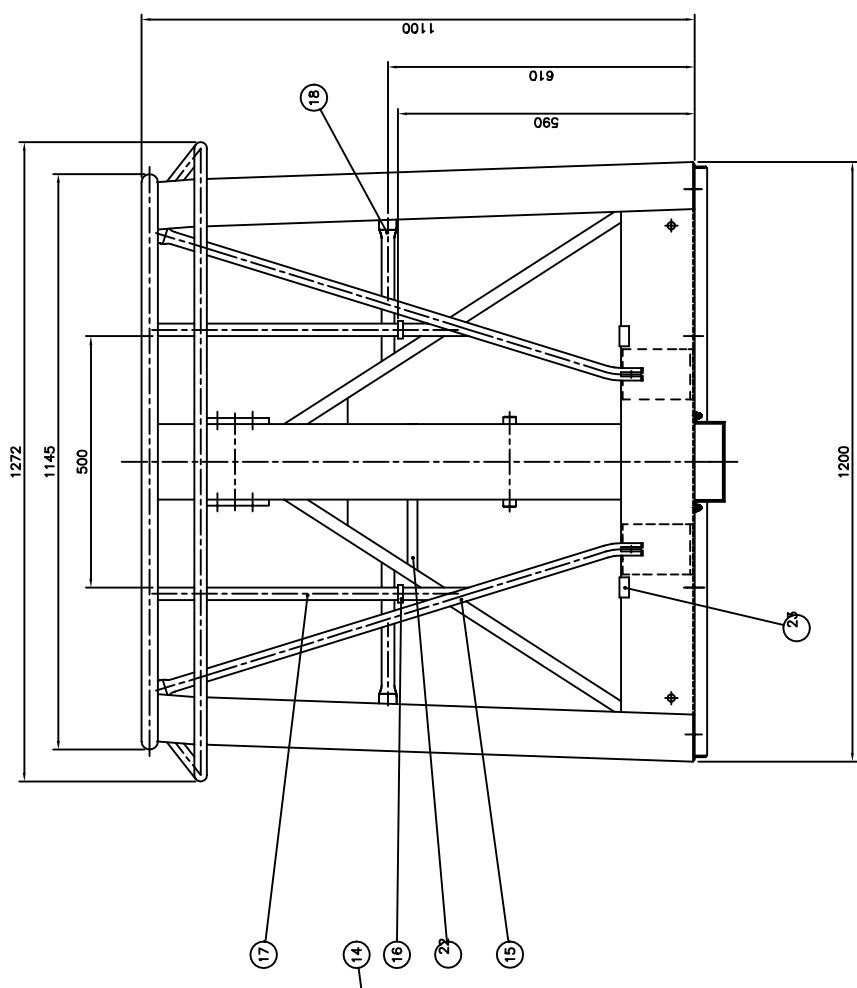


Rev. D Tegnet i Pro-E		25-Jan-01	SH
May not be copied or used unless authorized by DENKA LIFT A/S	Tolerances if not otherwise indicated	DENKA-LIFT 	
	Weight in kg.	Format 0_700 Scale A2 Supersedes drag. no.	
	0.594	Hojvang 5, DK-4300 Holbæk - Phone +45 59455500 Fax +45 59442155 Approved by	
	Sheet 1	MK6 Låge komplet, bred stige Drawn by SH 25-Jan-01	
	Total sheets 1	Gate complete Drawing no. 10968801	
Gatter komplett		10968801	



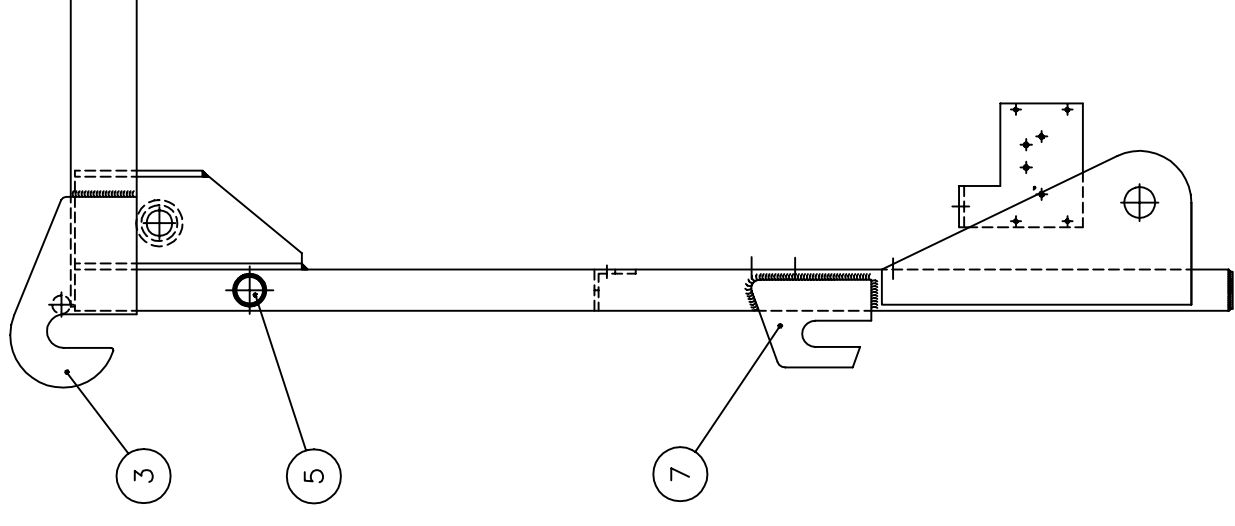
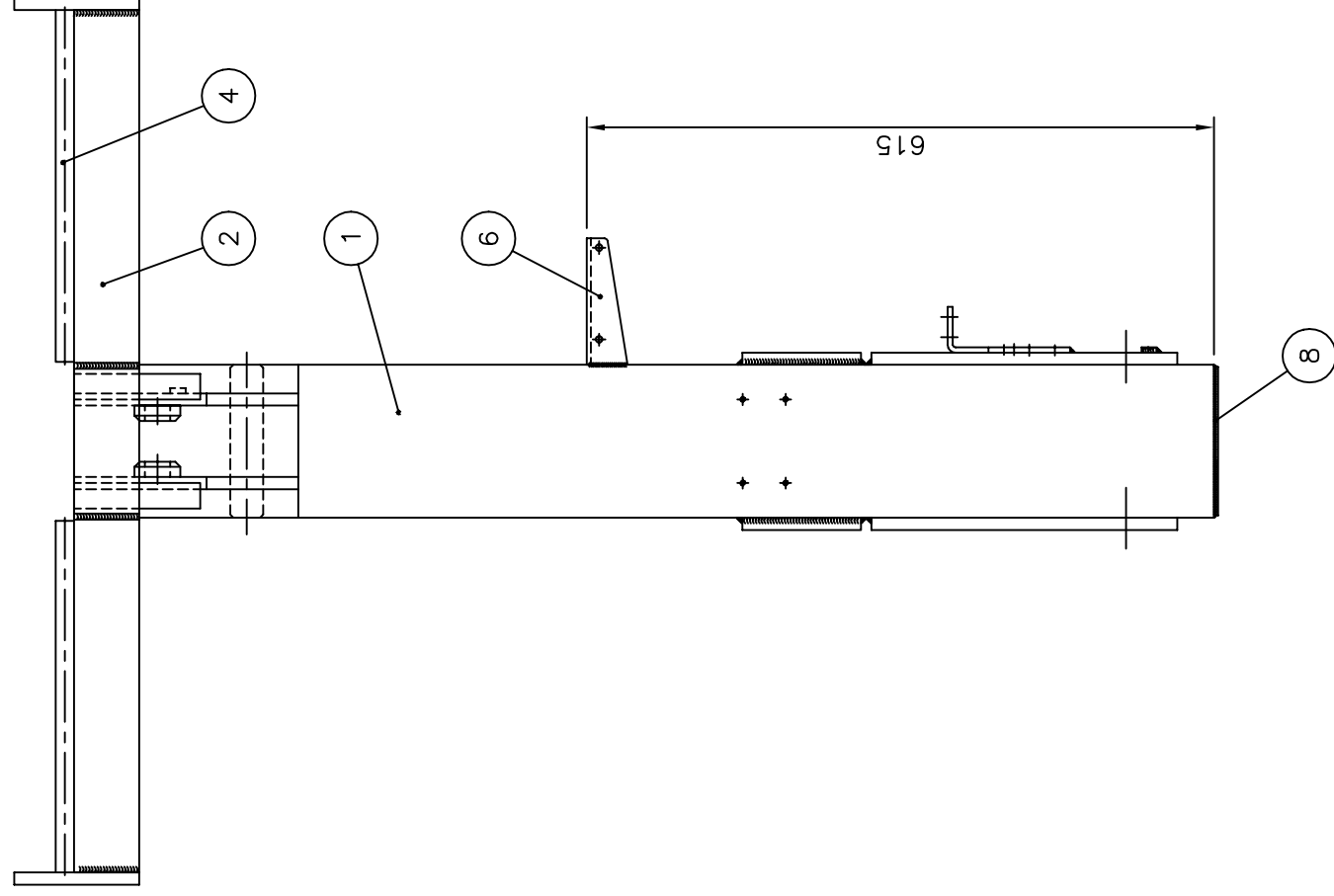
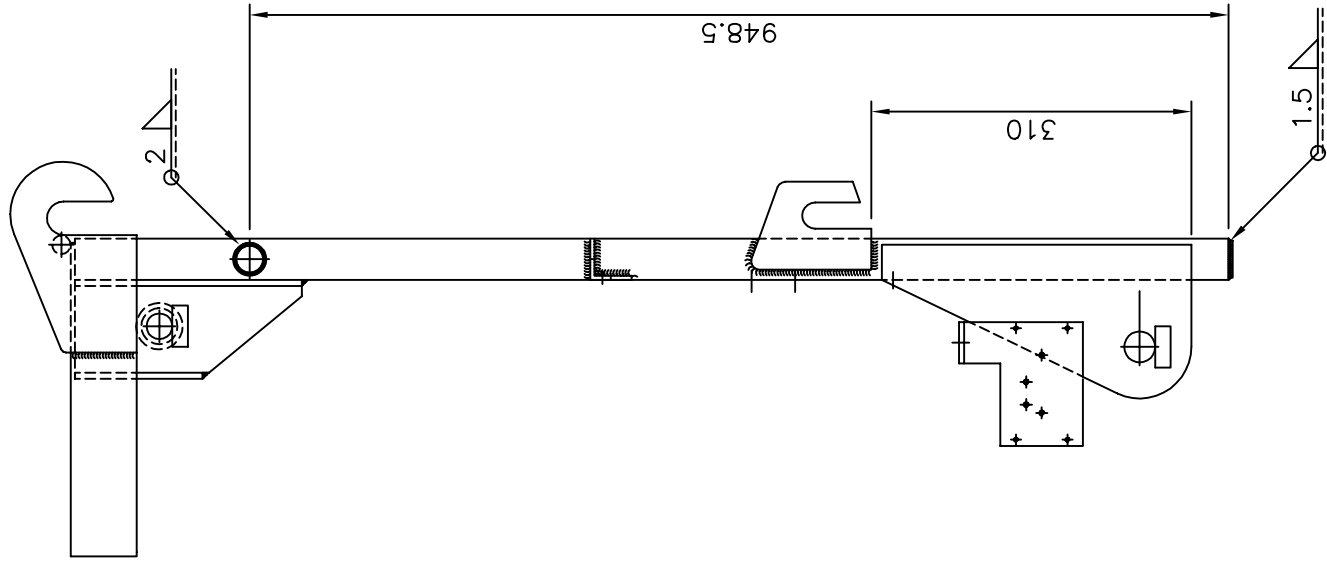
0.250

May not be copied or used unless authorized by DENKA LIFT A/S	Tolerances if not otherwise indicated	DENKA-LIFT		Format	Supersedes drag. no.
		Højvang 5, DK-4300 Holbæk - Phone +45 59455500 Fax +45 59442155		0_500	
		komp.		A2	Supersedes by drag. no.
	Weight in kg.	7850.000		Approved by	
	Sheet	Actuator kpl. LA30.1-300-24V		Drawn by PH 21-Dec-00	
Total sheets	Actuator kpl. LA30.1-300-24V		Drawing no.		
			10182801		



NOTE: Tolerancer efter DS 326 A.
 NOTE: Alle ikke angivne svejninger, a-mål=3

Part no.	Part name	QTY	Material	Weight																																																																	
12	Rør for kurv - side	2	10786000																																																																		
11	Løbskæde for handforstyrrelse	2	10877500																																																																		
10	U-profil for handforstyrrelse	2	10877400																																																																		
9	Ruedrift mekanisk, A2, M6	8	021196004																																																																		
8	Ruedrift aksel A2, M6	8	02828004																																																																		
7	Ruedrift aksel UH A2, M6x16	8	02244007																																																																		
6	Forstyrrelse for handbånd, svejst	1	13082700																																																																		
5	Profil for kurv svejst/montieret	1	13083000																																																																		
4	Bælystestærramme	1	10786400																																																																		
3	Handstift for kurv	1	10786300																																																																		
2	Hjernerække støddæret armé AlMgSi0.5	4	10786200																																																																		
1	Bund for aluminiumskurv 1200mm aldel	1	10884000																																																																		
<table border="1"> <thead> <tr> <th>Item</th> <th>Subjekt</th> <th>No.</th> <th>Dimension</th> <th>Standard</th> </tr> </thead> <tbody> <tr> <td>18</td> <td>Rør for kurv - for</td> <td>2</td> <td></td> <td></td> </tr> <tr> <td>19</td> <td>Rør for kurv - bag</td> <td>2</td> <td></td> <td></td> </tr> <tr> <td>17</td> <td>Rør for kurv - bog</td> <td>2</td> <td></td> <td></td> </tr> <tr> <td>16</td> <td>Stop for låge</td> <td>2</td> <td></td> <td></td> </tr> <tr> <td>15</td> <td>Rør for kurv - bagside</td> <td>2</td> <td></td> <td></td> </tr> <tr> <td>14</td> <td>Rør for kurv - side</td> <td>2</td> <td></td> <td></td> </tr> <tr> <td>13</td> <td>Rør for kurv - side</td> <td>2</td> <td></td> <td></td> </tr> </tbody> </table>					Item	Subjekt	No.	Dimension	Standard	18	Rør for kurv - for	2			19	Rør for kurv - bag	2			17	Rør for kurv - bog	2			16	Stop for låge	2			15	Rør for kurv - bagside	2			14	Rør for kurv - side	2			13	Rør for kurv - side	2																											
Item	Subjekt	No.	Dimension	Standard																																																																	
18	Rør for kurv - for	2																																																																			
19	Rør for kurv - bag	2																																																																			
17	Rør for kurv - bog	2																																																																			
16	Stop for låge	2																																																																			
15	Rør for kurv - bagside	2																																																																			
14	Rør for kurv - side	2																																																																			
13	Rør for kurv - side	2																																																																			
<table border="1"> <thead> <tr> <th>Part no.</th> <th>Part name</th> <th>QTY</th> <th>Material</th> <th>Weight</th> </tr> </thead> <tbody> <tr> <td>12</td> <td>Rør for kurv - side</td> <td>2</td> <td>10786000</td> <td></td> </tr> <tr> <td>11</td> <td>Løbskæde for handforstyrrelse</td> <td>2</td> <td>10877500</td> <td></td> </tr> <tr> <td>10</td> <td>U-profil for handforstyrrelse</td> <td>2</td> <td>10877400</td> <td></td> </tr> <tr> <td>9</td> <td>Ruedrift mekanisk, A2, M6</td> <td>8</td> <td>021196004</td> <td></td> </tr> <tr> <td>8</td> <td>Ruedrift aksel A2, M6</td> <td>8</td> <td>02828004</td> <td></td> </tr> <tr> <td>7</td> <td>Ruedrift aksel UH A2, M6x16</td> <td>8</td> <td>02244007</td> <td></td> </tr> <tr> <td>6</td> <td>Forstyrrelse for handbånd, svejst</td> <td>1</td> <td>13082700</td> <td></td> </tr> <tr> <td>5</td> <td>Profil for kurv svejst/montieret</td> <td>1</td> <td>13083000</td> <td></td> </tr> <tr> <td>4</td> <td>Bælystestærramme</td> <td>1</td> <td>10786400</td> <td></td> </tr> <tr> <td>3</td> <td>Handstift for kurv</td> <td>1</td> <td>10786300</td> <td></td> </tr> <tr> <td>2</td> <td>Hjernerække støddæret armé AlMgSi0.5</td> <td>4</td> <td>10786200</td> <td></td> </tr> <tr> <td>1</td> <td>Bund for aluminiumskurv 1200mm aldel</td> <td>1</td> <td>10884000</td> <td></td> </tr> </tbody> </table>					Part no.	Part name	QTY	Material	Weight	12	Rør for kurv - side	2	10786000		11	Løbskæde for handforstyrrelse	2	10877500		10	U-profil for handforstyrrelse	2	10877400		9	Ruedrift mekanisk, A2, M6	8	021196004		8	Ruedrift aksel A2, M6	8	02828004		7	Ruedrift aksel UH A2, M6x16	8	02244007		6	Forstyrrelse for handbånd, svejst	1	13082700		5	Profil for kurv svejst/montieret	1	13083000		4	Bælystestærramme	1	10786400		3	Handstift for kurv	1	10786300		2	Hjernerække støddæret armé AlMgSi0.5	4	10786200		1	Bund for aluminiumskurv 1200mm aldel	1	10884000	
Part no.	Part name	QTY	Material	Weight																																																																	
12	Rør for kurv - side	2	10786000																																																																		
11	Løbskæde for handforstyrrelse	2	10877500																																																																		
10	U-profil for handforstyrrelse	2	10877400																																																																		
9	Ruedrift mekanisk, A2, M6	8	021196004																																																																		
8	Ruedrift aksel A2, M6	8	02828004																																																																		
7	Ruedrift aksel UH A2, M6x16	8	02244007																																																																		
6	Forstyrrelse for handbånd, svejst	1	13082700																																																																		
5	Profil for kurv svejst/montieret	1	13083000																																																																		
4	Bælystestærramme	1	10786400																																																																		
3	Handstift for kurv	1	10786300																																																																		
2	Hjernerække støddæret armé AlMgSi0.5	4	10786200																																																																		
1	Bund for aluminiumskurv 1200mm aldel	1	10884000																																																																		
<p> </p> <p> DENKA LIFT Højevangsvej 15, DK-5300 Alslev, Tlf. +45 4655 5100, Fax. +45 4655 5108 </p> <p> Udviklet af: LHM 15-08-97 Tegnede af: LHM 15-08-97 Godkendt af: LHM 15-08-97 </p> <p> Aftagelig kurv Kurv 1200mm, svejst 1 30801 00 </p>																																																																					



NOTE: Tolerancer efter DS 326 A.
 NOTE: Ikke angivne svejsninger a-mål = 4

Item	Subject	No.	Dimension	Standard	Id no.	Weight
8	Lukkeplade	1			13082100	
7	Styr for profil, bearbejdet	2			13081200	
6	Beslag for kurvhorisont.	1			13081700	
5	Rør for profil	1			13082400	
4	Rør for værktøjsbakke	2			13083300	
3	Styr for værktøjsbakke, bearbejdet	2			13081100	
2	Værktøjsbakke bukket	1			13080500	
1	Profil for kurv - svejst	1			13083200	

Rev. A	Date	Sign.
A		
B		
C		
D		
E		
F		
G		
H		
I		
J		
K		

090197 LLH

DENKA LIFT

Højvang 5, DK-4300 Holbæk - Phone +4553434748 - Telefax +455942155

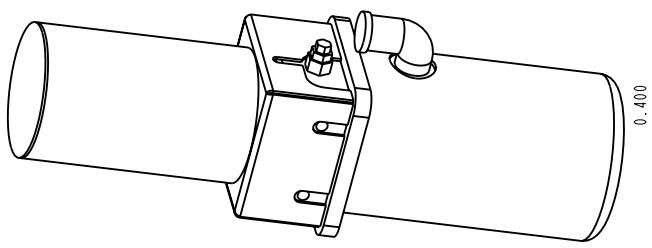
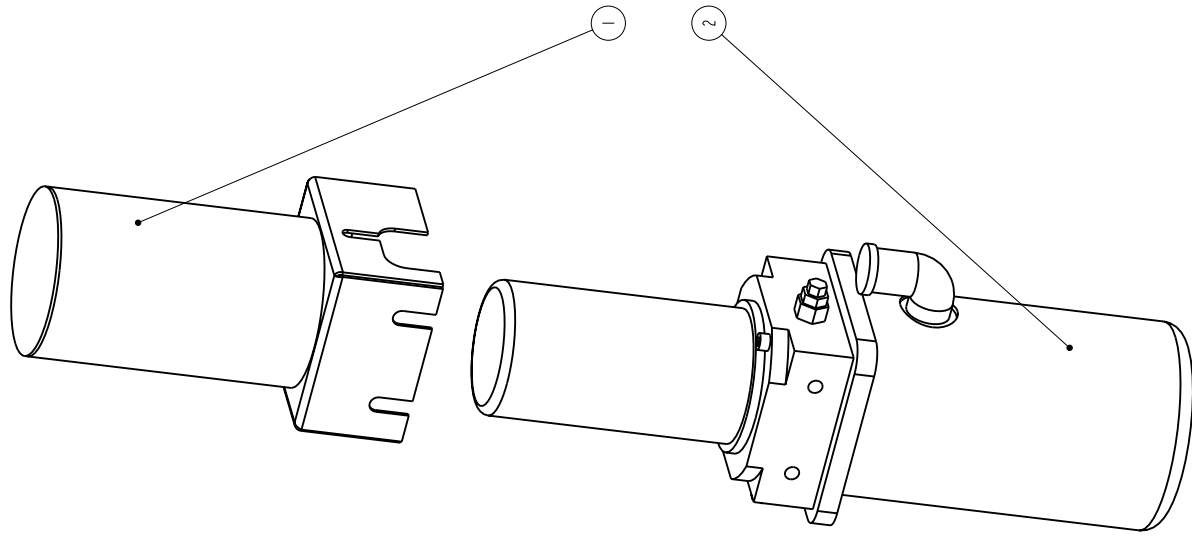
Approved by LLH 09-01-97
 Drawn by LLH 12-09-96

Ophæng for aftageleg kurv
 svejst

Scale 1:5
 Supersedes drwg. no. 13080700
 Format A2
 Superseded by drwg. no.

Drawing no. 1 30807 00

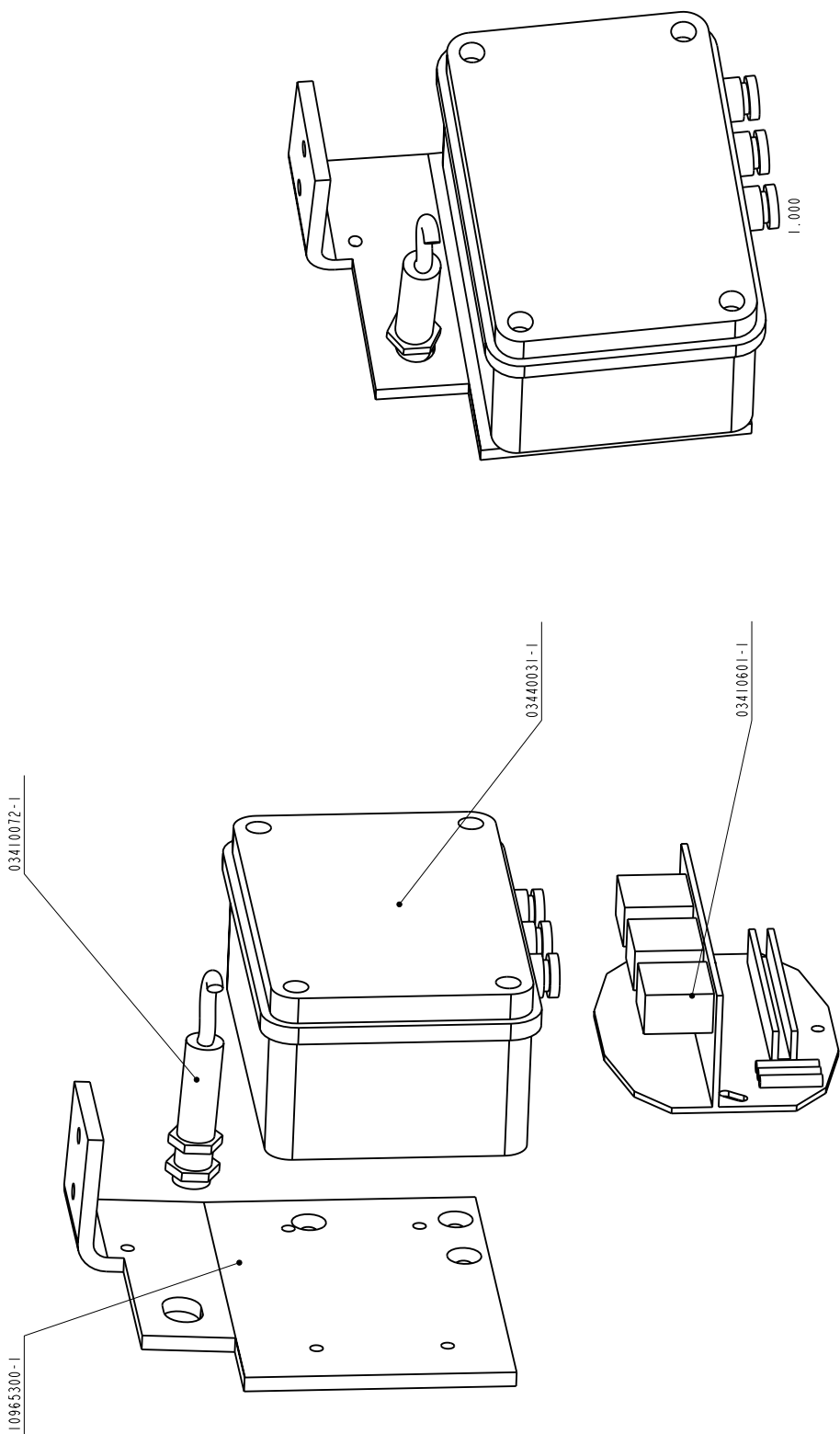
May not be copied or used unless authorized by DENKA LIFT A/S



NOTE: Der anvendes 1.5 til 2 liter i anlægget

3	Hydr.oile SHF LT15	1	03140111	0.000
2	Horisonteringsanlæg 24V/40A	1	03280026	0.000
1	Altægning til hydr. anlæg 24 V.	1	40152110	0.415
Tolerances if not otherwise indicated		Formel	0.200	Supersedes drawing no.
Weight in kg.		Scale	A2	Superseded by drawing no.
Højrup 5, DK-4300 Hvidebø - Phone: +45 59455500 Fax: +45 59442155 DENKA-LIFT Hydraulik komponenter				
7850.000 Horisonteringsanlæg 24V monteret				
Sheet Drawn by: DB 03-Dec-99				
Total sheets 10154511				

0.500



Tolerances (if not otherwise indicated)	Formel	Supersedes drawing no.
	1.000	
Weight in kg:	Scale	Supersedes by drawing no.
	7850.000	A2
Authorized by DENKA LIFT A/S	Approved by	
	Alle	
	Printed by	PH_28-Dec-00
May not be copied or used unless authorized by DENKA LIFT A/S	Drawing no.	
	LV-print monteret	
	LV-Print monteret	
Total sheets	1 4054001	

DENKA-LIFT

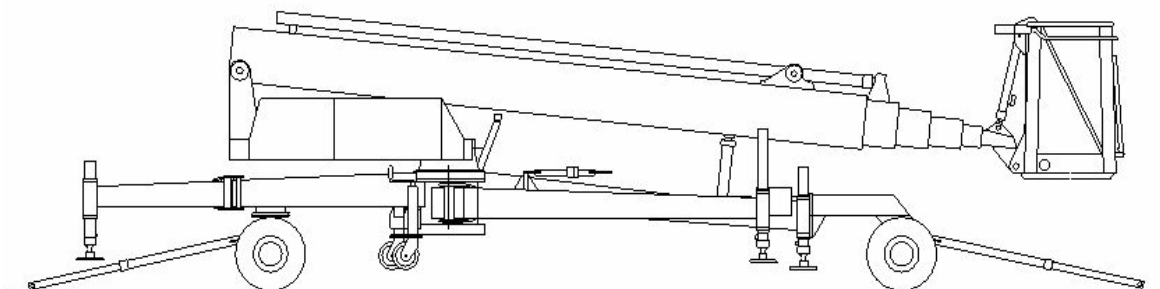
Højvang 5, DK-4200 Hørbæk - Phone: +45 59455500 Fax: +45 59442155

**RESERVEDELS-
KATALOG**

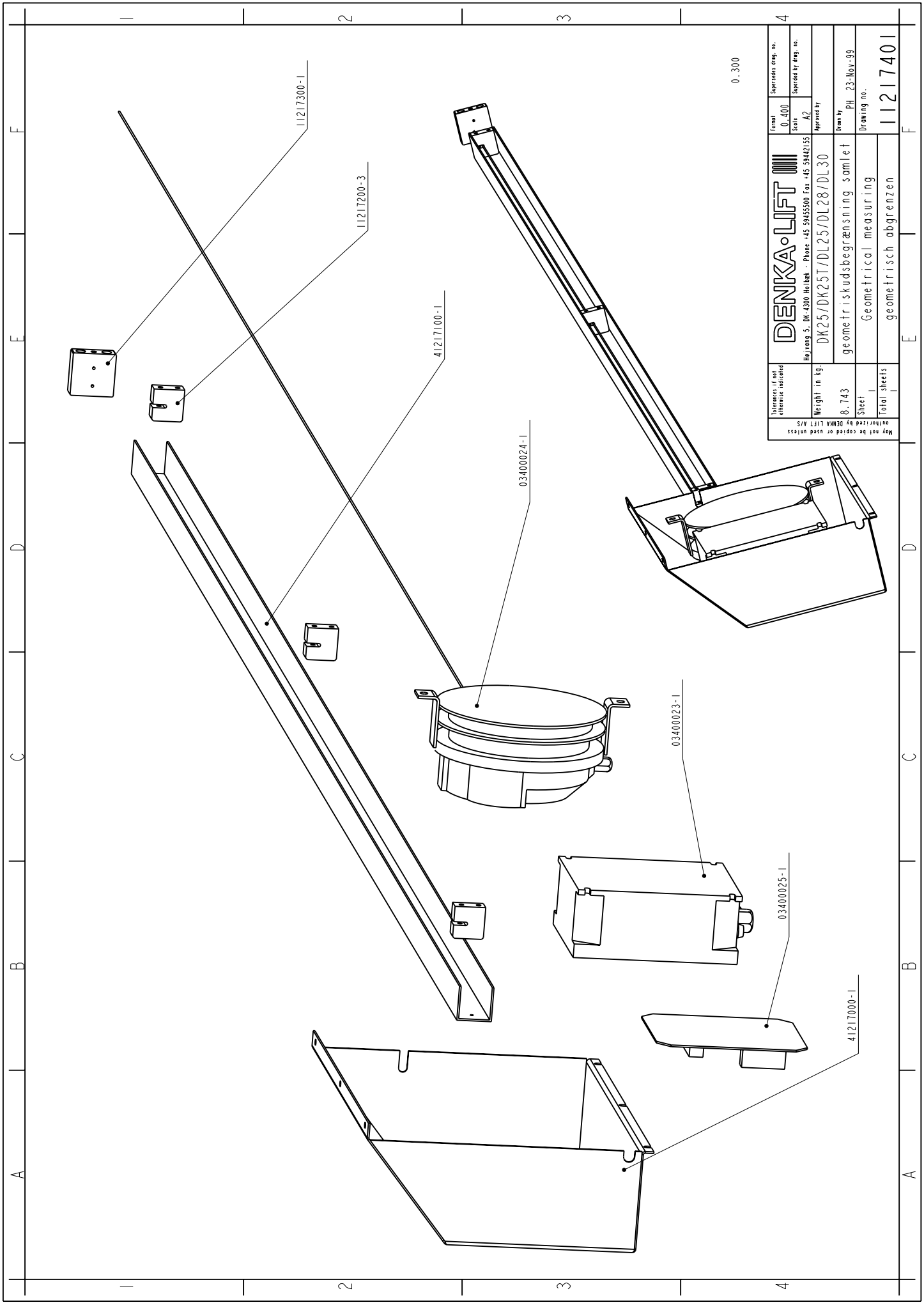
**SPARE PARTS
CATALOGUE**

**ERSATZTEILS-
KATALOG**

DENKA·LIFT
|||||



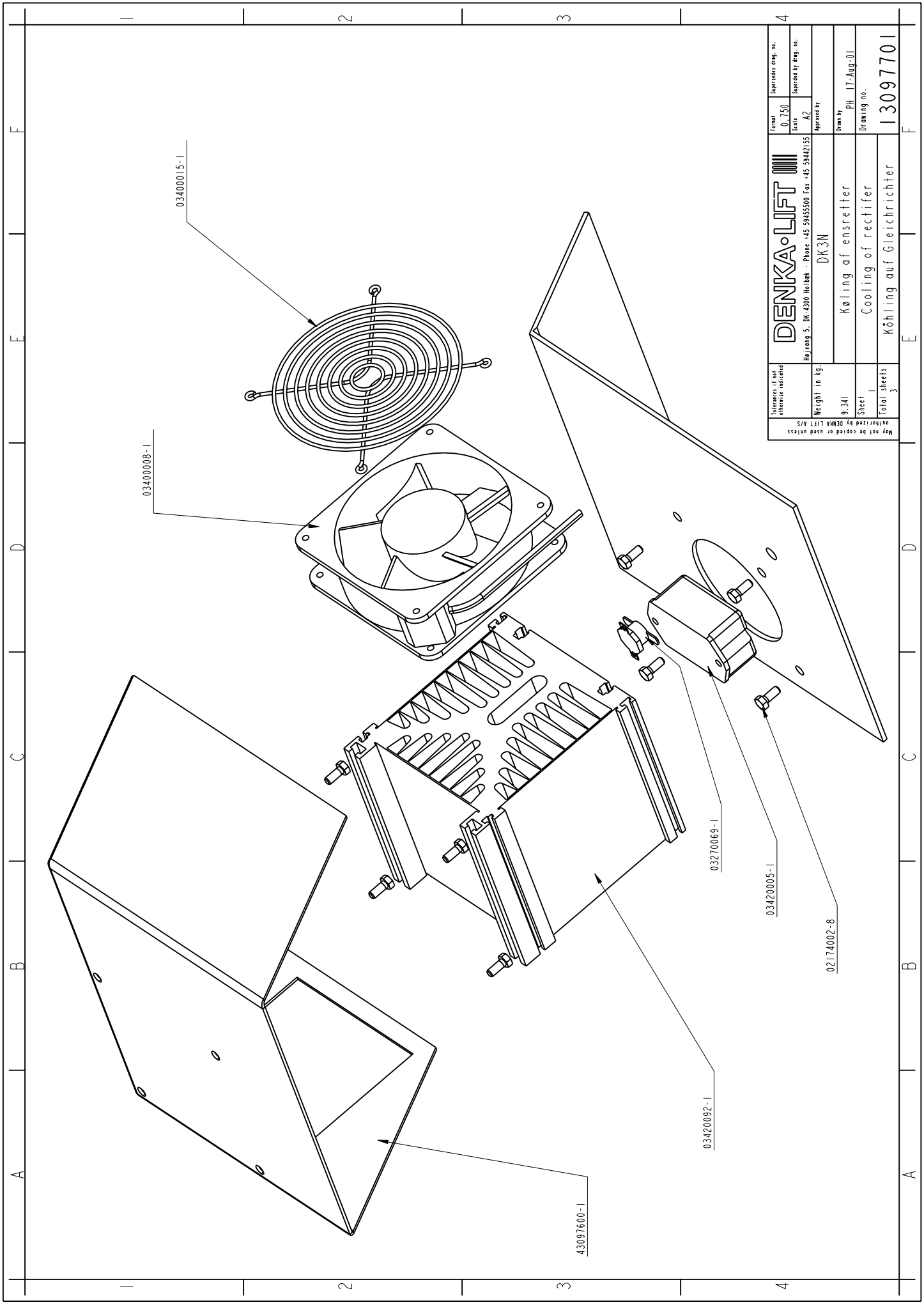
EXTRA



0.300

Dimensions if not otherwise indicated	Formel 0.400	Supersedes drawing no.
Weight in kg 8.743	Scale A2	Superseded by drawing no.
Sheet 1	Approved by PH 23-Nov-99	
Total sheets 1	DENKA-LIFT Højvang 5, DK-4300 Hvidebø - Phone +45 59455500 Fax +45 59442155	
DK25/DK25T/DL25/DL28/DL30		
geometriskudsbegrensning samlet		
Geometrical measuring		
geometrisch abgrenzen		
Drawing no. 11217401		

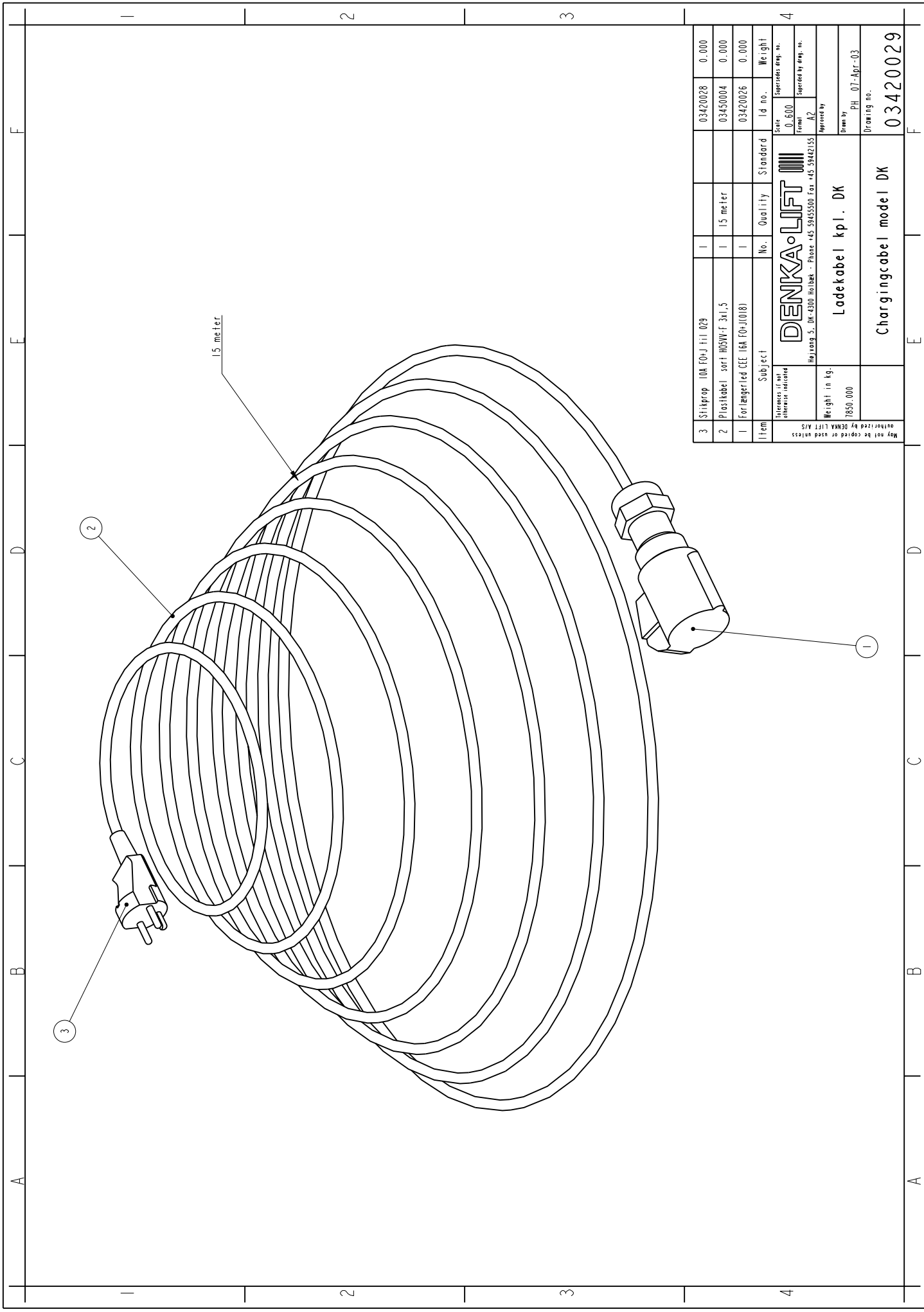
May not be copied or used unless authorized by DENKA LIFT A/S



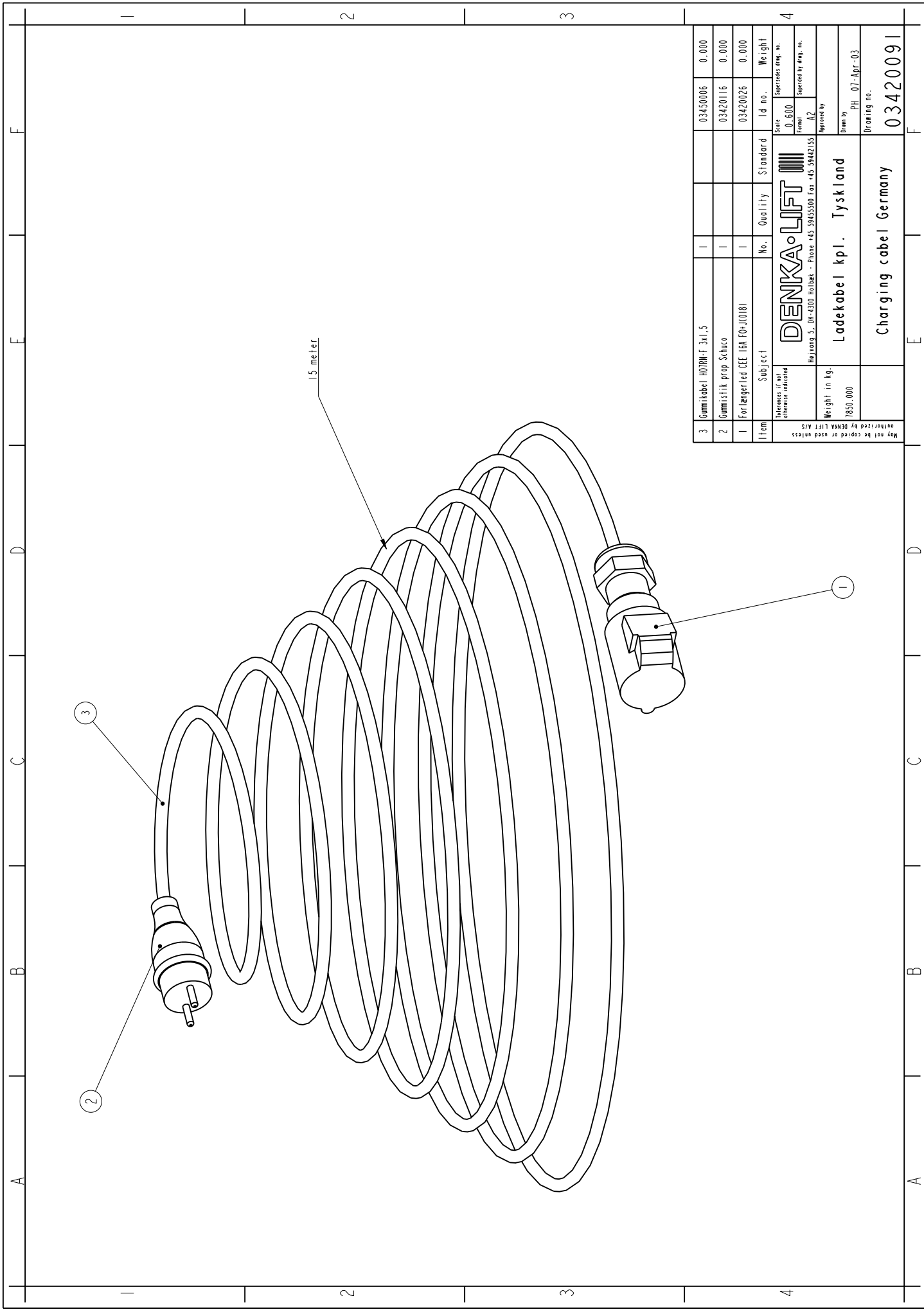
Differences if not otherwise indicated	Formel	Supersedes drawing no.
	0.750	
Weight in kg	Scale	Supersedes by drawing no.
	9.341	A2
Total sheets	Approved by	
	DK3N	
Sheet	Drawn by	
	PH 17-Aug-01	
Total sheets	Drawing no.	
	13097701	

DENKA-LIFT
 Holzmamp 5, DK-4200 Holstebro - Phone: +45 59455500 Fax: +45 59442155
 May not be copied or used unless authorized by DENKA LIFT A/S

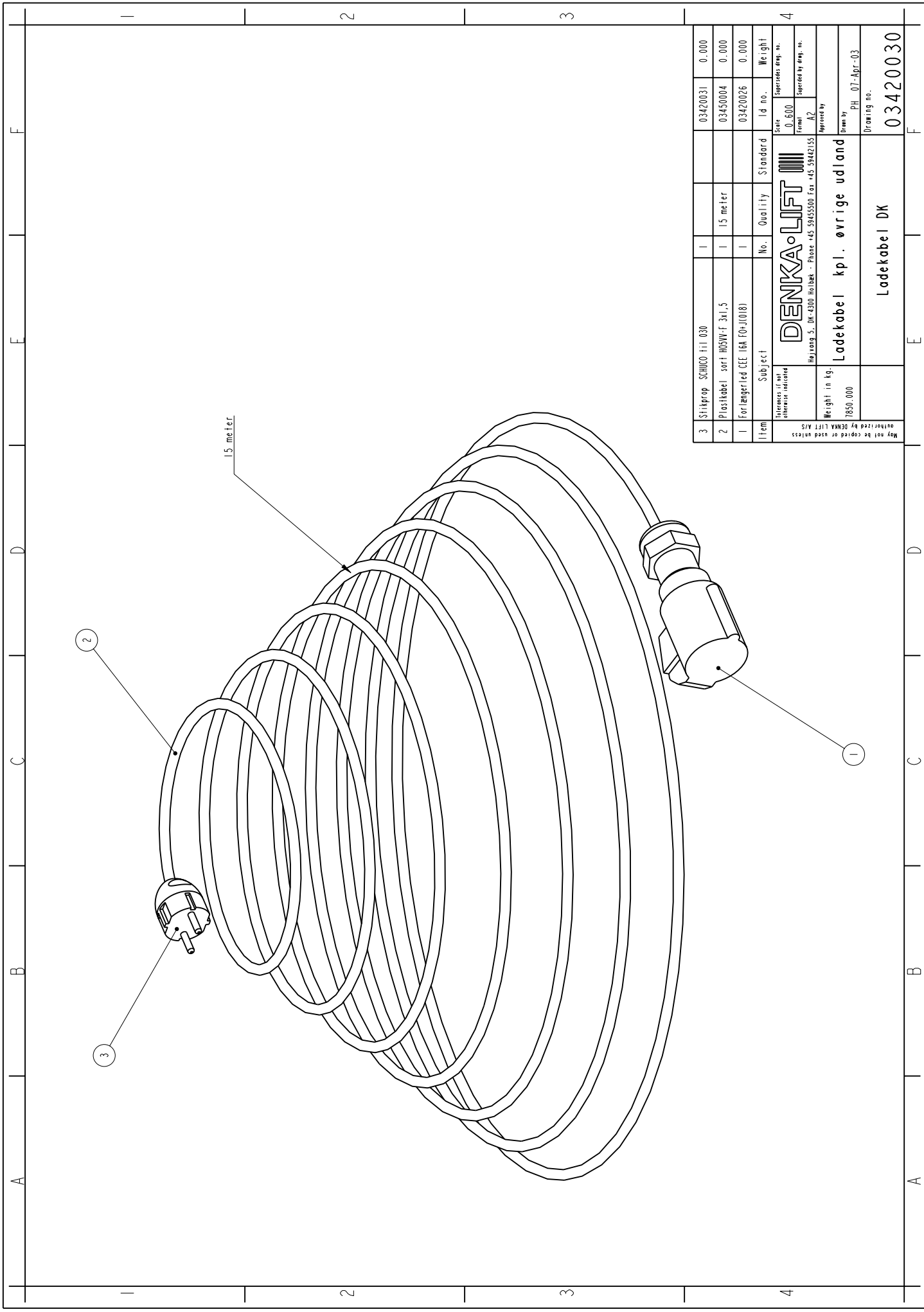
A B C D E F
 1 2 3 4



3	Stikprop 10A FO-J III 029	1		03420028	0.000
2	Plastikabel seri H05VV-F 3x1,5	1	15 meter	03450004	0.000
1	Forlængerled CEE 16A FO-J(018)	1		03420026	0.000
Item	Subject	No.	Quality	Standard	Id no.
<small>Interness if not otherwise indicated</small> <small>May not be copied or used unless authorized by DENKA LIFT A/S</small>		DENKA LIFT <small>Højvang 5, DK-4300 Hvidebø - Phone: +45 59455500 Fax: +45 59442155</small>		<small>Scale</small> <small>0.600</small> <small>Format</small> <small>A2</small> <small>Approved by</small> <small>Supersedes drawing no.</small> <small>Supersedes by drawing no.</small>	
<small>Weight in kg.</small> 7850.000		Ladekabel kpl. DK		<small>Drawn by</small> PHL 07-Apr-03	
		Chargingcabel model DK		<small>Drawing no.</small> 03420029	



3	Gummikabel HO7RN-F 3x1,5	1		03450006	0.000
2	Gummistik prop. Schuko	1		03420116	0.000
1	Fortlanger led CEE 16A T0-J(018)	1		03420026	0.000
Item	Subject	No.	Quality	Standard	Id no.
Dimensions if not otherwise indicated Weight in kg.		DENKA LIFT Holtrup 5, DK-4300 Hørbæk - Phone: +45 59455500 Fax: +45 59442155 Ladekabel kpl. Tyskland Charging cable Germany			
May not be copied or used unless authorized by DENKA LIFT A/S		Scale: 0.600 Format: A2 Approved by: PHL 07-Apr-03 Drawing no.: 03420091			



3	Stikprop	SCHUCO til D30	1		03420031	0.000
2	Plastkabel	sort H05VV-F 3x1,5	1	15 meter	03450004	0.000
1	Forlængerled	CEE 16A TO-J(018)	1		03420026	0.000
Item	Subject	No.	Quality	Standard	Id. no.	Weight
Intensions if not otherwise indicated Weight in kg. 7850.000		DENKA LIFT Højrang 5, DK-4300 Hørbæk - Phone: +45 59455500 Fax: +45 59442155		Scale 0.600 Format A2	Supersedes drawing no. Supersedes by drawing no. Approved by PHL 07-Apr-03	Drawing no. 03420030
Ladekabel i kpl. øvrige udlænd				Ladekabel DK		

May not be copied or used unless authorized by DENKA LIFT A/S