

SELF-PROPELLED MAST LIFTS

PARTS MANUAL

(For AMWP10-8100 / AMWP11.5-8100)



WARNING

THE MANUFACTURER SHALL NOT BE HELD LIABLE IN CASE OF FAULTS OR ACCIDENTS DUE TO NEGLIGENCE, INCAPACITY, INSTALLATION BY UNQUALIFIED TECHNICIANS AND IMPROPER USE OF THE MACHINE

DO NOT OPERATE THIS MACHINE UNTIL YOU READ AND UNDERSTAND ALL THE DANGERS, WARNINGS AND CAUTIONS IN THIS MANUAL

Part Number: SM0513211

Version of the Record

Version Number	Create Date
SM0513211_Rev1.0	2013-12
SM0513211_Rev2.0	2015-07

Table of Contents

Section 1 Chassis

Figure 1-1	Chassis Covers Installation.....	1-1
Figure 1-2	Chassis Assembly.....	1-3
Figure 1-3	Steer Linkage Assembly.....	1-6
Figure 1-4	Pot Hole Protection Assembly.....	1-9
Figure 1-5	Turntable Covers Installation.....	1-12
Figure 1-6	Turntable Assembly.....	1-14
Figure 1-7	Beacon assembly.....	1-17
Figure 1-8	Right Accessory Assembly.....	1-18
Figure 1-9	Left Accessory Assembly.....	1-19
Figure 1-10	Ground Control Panle Assembly.....	1-22

Section 2 Mast

Figure 2-1	Mast and Chassis Installation.....	2-1
Figure 2-1	Mast and Chassis Installation.....	2-2
Figure 2-2	Mast Assembly (AMWP11.5-8100).....	2-3
Figure 2-3	Mast 1 Assembly.....	2-5
Figure 2-4	Mast 2 Assembly.....	2-7
Figure 2-5	Mast 3 Assembly.....	2-9
Figure 2-6	Mast 4 Assembly (AMWP11.5-8100).....	2-11
Figure 2-7	Mast 5 Assembly (AMWP11.5-8100).....	2-13
Figure 2-8	Mast 6 Assembly (AMWP11.5-8100).....	2-15
Figure 2-9	Cable Assembly.....	2-17
Figure 2-10	Lift Cylinder Assembly.....	2-19
Figure 2-11	Mast Assembly (AMWP10-8100).....	2-21
Figure 2-12	Mast 4 Assembly (AMWP10-8100).....	2-23
Figure 2-13	Mast 5 Assembly (AMWP10-8100).....	2-25
Figure 2-14	Lifting Chain Assembly (AMWP11.5-8100).....	2-27
Figure 2-15	1-3 Mast chain wheel assembly.....	2-29
Figure 2-16	2-4 Mast chain wheel assembly.....	2-30
Figure 2-17	3-5 Mast chain wheel assembly.....	2-31
Figure 2-18	4-6 Mast chain wheel assembly.....	2-32
Figure 2-19	Lifting Chain Assembly (AMWP10-8100).....	2-33

Section 3 Platform

Figure 3-1	Platform and Mast Installation.....	3-1
------------	-------------------------------------	-----

Figure 3-2	Jib and Platform Installation.....	3-3
Figure 3-3	Jib Assembly.....	3-4
Figure 3-4	Platform Assembly.....	3-7
Figure 3-5	Platform Control.....	3-9
Section 4 Hydraulic System		
Figure 4-1	Lift Cylinder.....	4-1
Figure 4-2	Jib Cylinder.....	4-3
Figure 4-3	Steer Cylinder.....	4-5
Figure 4-4	Hydraulic Hoses and Fittings.....	4-6

Section
1

Chassis

Figure 1-1 Chassis Covers Installation

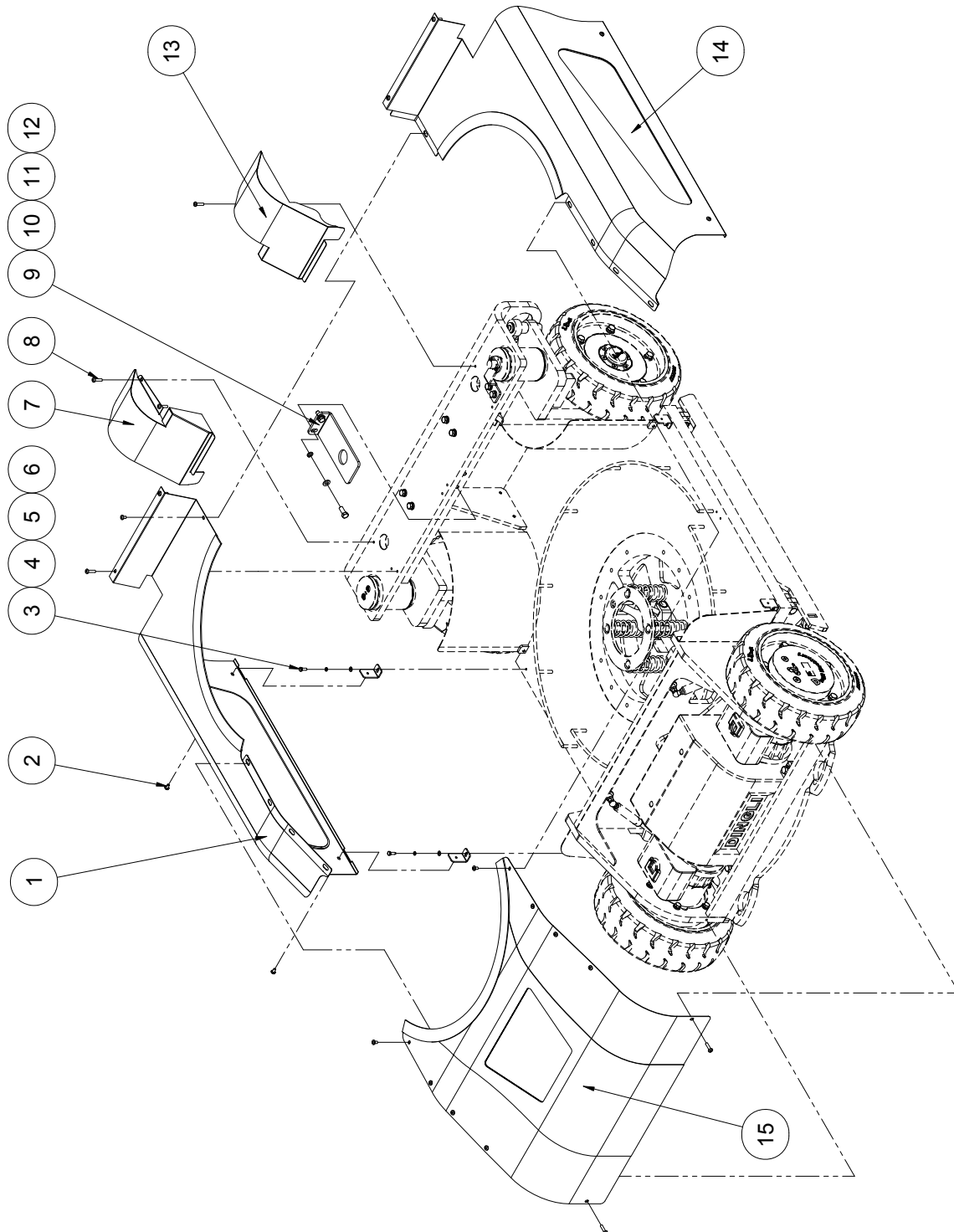


Figure 1-1 Chassis Covers Installation

Item	Part Number	Description	Qty.	Remark
1	AMWP81115-171200	Left cover	1	
2	GB/T 818-2000	Screw M6×10-H	13	
3	AMWP81115-100015	Cover bracket	4	
4	GB/T 93-1987	Spring washer 6	4	
5	GB/T 97.1-2002	Washer 6	4	
6	GB/T 5783-2000	Bolt M6×16	4	
7	AMWP81115-171400	cover	1	
8	GB/T 818-2000	Screw M6×25-H	10	
9	AMWP81115-100014	Cover bracket	1	
10	GB/T 93-1987	Spring washer 10	2	
11	GB/T 97.1-2002	Washer 10	2	
12	GB/T 5783-2000	Bolt M10×25	2	
13	AMWP81115-171400a	Cover	1	
14	AMWP81115-171300	Right cover	1	
15	AMWP81115-171100	Middle cover	1	

Figure 1-2 Chassis Assembly

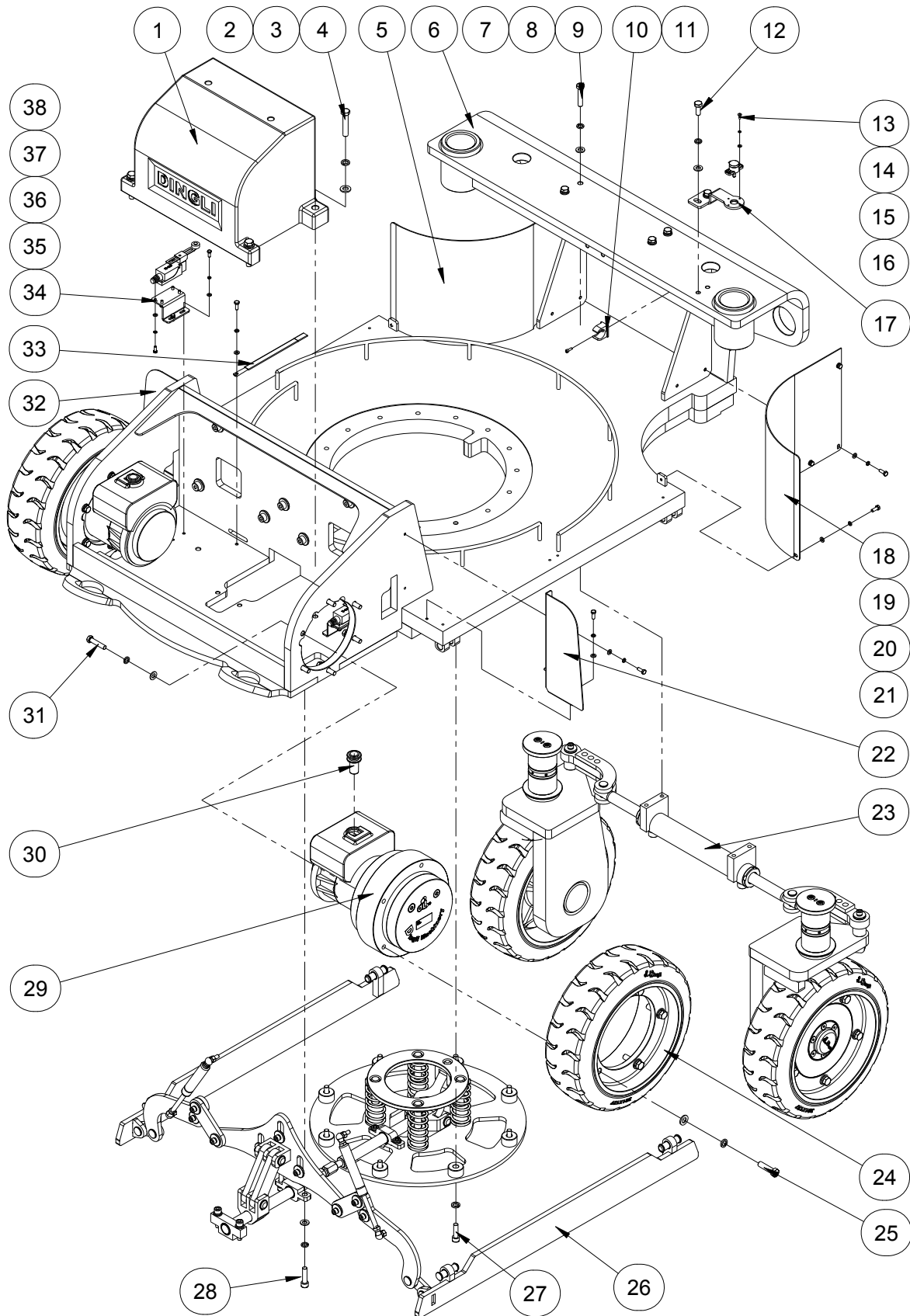


Figure 1-2 Chassis Assembly

Item	Part Number	Description	Qty.	Remark
1	AMWP81115-100004	Counterweight	1	
2	GB/T 5783-2000	Bolt M12×60	4	
3	GB/T 93-1987	Spring washer 12	14	
4	GB/T 97.1-2002	Washer 12	14	
5	AMWP81115-110001a	Rear baffle	1	
6	AMWP81115-111000	Chassis weldment	1	
7	GB/T 5783-2000	Bolt M10×50	4	
8	GB/T 93-1987	Spring washer 10	26	
9	GB/T 97.1-2002	Washer 10	18	
10		Pipe clip	1	
11	GB/T 70.1-2000	Screw M4×12	1	
12	GB/T 5783-2000	Bolt M10×25	2	
13	GB/T 818-2000	Screw M4×10-H	2	
14	GB/T 93-1987	Spring washer 4	2	
15	GB/T 97.1-2002	Washer 4	2	
16	6905-0401360-01	Rotary sensor	1	
17	AMWP81115-113004	Sensor support	1	
18	AMWP81115-110001	Rear baffle	1	
19	GB/T 97.1-2002	Washer 6	15	
20	GB/T 93-1987	Spring washer 6	15	
21	GB/T 5783-2000	Bolt M6×16	15	
22	AMWP81115-110002	Front baffle	1	
23	AMWP81115-113000	Steer linkage assembly	1	
24	AMWP81115-118120	Wheel	2	
25	GB/T 5786-2000	Bolt M12×1.5×45	10	
26	AMWP81115-114000	Pot hole protection assembly	1	
27	GB/T 70.1-2000	Screw M10×35	8	
28	GB/T 70.1-2000	Screw M10×40	2	
29	1808-0114	Drive Motor	2	

Figure 1-2 Chassis Assembly

Item	Part Number	Description	Qty.	Remark
--	1808-0114-01	Reducer	2	
--	1808-0114-02	Motor	2	
--	1808-0114-03	Brake	2	
30	JCPT1212DC-151101	Sheath	2	
31		HFBOLT 0.375-24x1.75x1-N	12	
32	AMWP81115-110002a	Front baffle	1	
33	JCPT1212HD-101022	Electric bar	1	
34	6909-0702200-02	Limit switch	2	
35	AMWP81115-100018	Switch seat	2	
36	GB/T 97.1-2002	Washer 5	12	
37	GB/T 93-1987	Spring washer 5	12	
38	GB/T 5783-2000	Bolt M5×12	12	

Figure 1-3 Steer Linkage Assembly

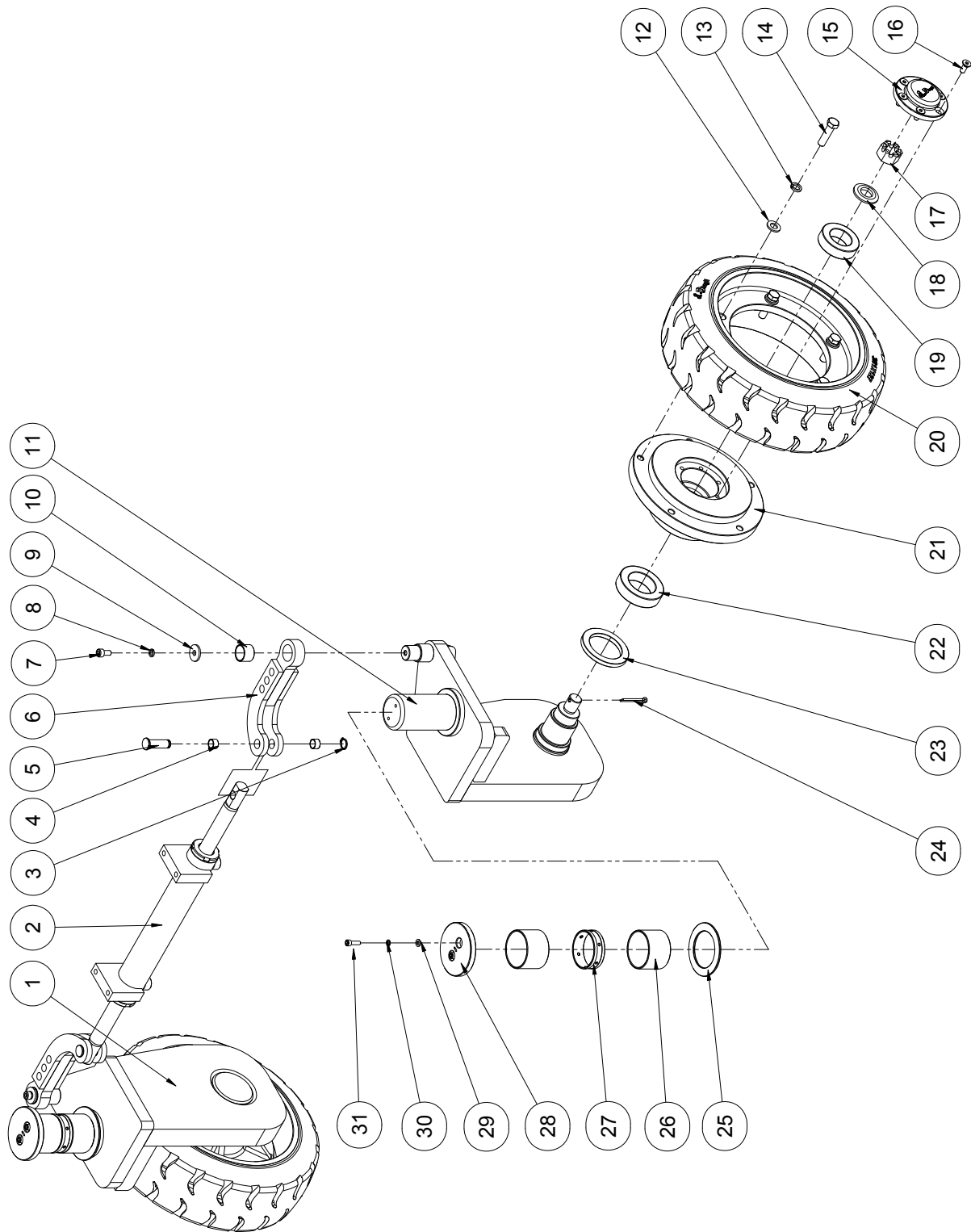


Figure 1-3 Steer Linkage Assembly

Item	Part Number	Description	Qty.	Remark
1	AMWP81115-113100a	Steering wheel support weldment	1	
2	AMWP81115-532000	Steer cylinder assembly	1	
3	GB/T 894.1-1986	Circlip for shaft 14	2	
4	16×14×10	Bearing	4	
5	AMWP81115-113003	Steering connect axle	2	
6	AMWP81115-113200	Steering connect weldment	2	
7	GB/T 70.1-2000	Screw M8×16	2	
8	GB/T 93-1987	Spring washer 8	2	
9	GB/T 5287-1985	washer 8	2	
10	28×25×20	Bearing	2	
11	AMWP81115-113100	Steering wheel support weldment	1	
12	GB/T 97.1-2002	Washer 12	5	
13	GB/T 93-1987	Spring washer 12	5	
14	GB/T 5786-2000	Bolt M12×1.5×45	5	
15	JCPT1212DC-101103	End cover	1	
16	GB/T 70.3-2000	Screw M8×20	6	
17	GB/T 9459-1988	Nut M22×1.5	1	
18	JCPT1212DC-101101	Washer	1	
19	GB 297-84	Bearing	1	
20	AMWP81115-118120	Wheel	1	
21	AMWP81115-118110	Steering wheel weldment	1	
22	GB 297-84	Bearing	1	
23	GB 9877.1-88	Seal ring	1	
24	GB/T 91-2000	Pin 5×40	1	
25	Φ90×Φ62×3	Washer	2	
26	65×60×45	Bearing	4	
27	AMWP81115-113002	Steering partion	2	
28	AMWP81115-113001	Steering wheel cover	2	
29	GB/T 97.1-2002	Washer 6	4	

Figure 1-3 Steer Linkage Assembly

Item	Part Number	Description	Qty.	Remark
30	GB/T 93-1987	Spring washer 6	4	
31	GB/T 70.1-2000	Screw M6×20	4	

Figure 1-4 Pot Hole Protection Assembly

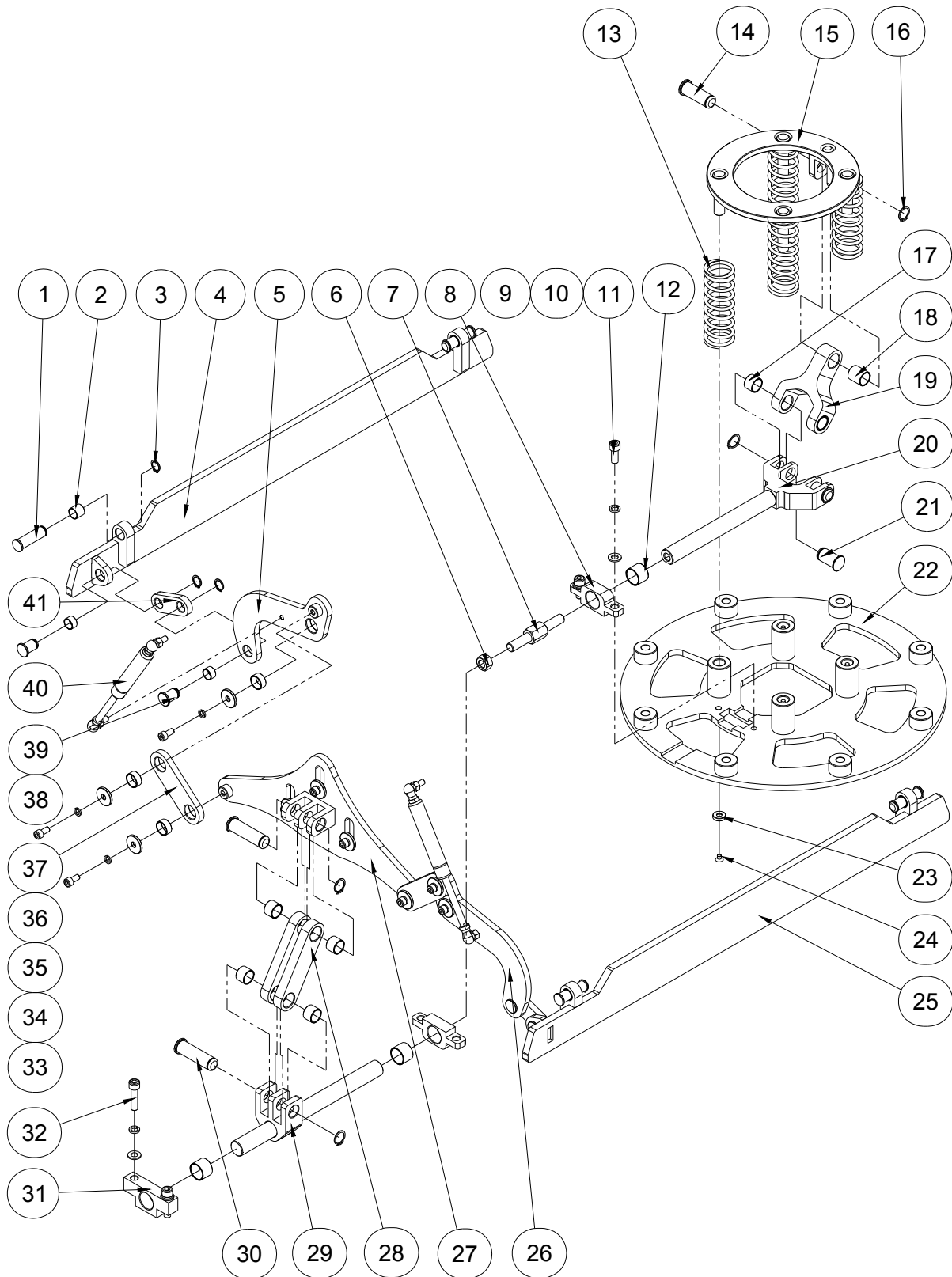


Figure 1-4 Pot Hole Protection Assembly

Item	Part Number	Description	Qty.	Remark
1	AMWP81115-114008	Pin	4	
2	18×16×16	Bearing	4	
3	GB/T 894.1-1986	Circlip for shaft 16	8	
4	AMWP81115-114100a	Pot Hole guard weldment	1	
5	AMWP81115-114200a	Plate weldment	1	
6	GB/T 6170-2000	Nut M14	1	
7	AMWP81115-114003	Adjust screw	1	
8	AMWP81115-114001	Support	2	
9	GB/T 70.1-2000	Screw M10×25	2	
10	GB/T 93-1987	Spring washer 10	4	
11	GB/T 97.1-2002	Washer 10	4	
12	28×25×20	Bearing	3	
13	AMWP81115-114010	Spring	4	
14	AMWP81115-114015	Pin	1	
15	AMWP81115-114400	Pressboard weldment	1	
16	GB/T 894.1-1986	Circlip for shaft 20	5	
17	23×20×16	Bearing	6	
18	23×20×25	Bearing	1	
19	AMWP81115-114004	Connecting plate	1	
20	AMWP81115-114500	Screw weldment	1	
21	AMWP81115-114014	Pin	2	
22	AMWP81115-114300	Seat weldment	1	
23	AMWP81115-114005	Washer	4	
24	GB/T 70.3-2008	Screw M8×10	4	
25	AMWP81115-114100	Pot Hole guard weldment	1	
26	AMWP81115-114200	Plate weldment	1	
27	AMWP81115-114700	Plate weldment	1	
28	AMWP81115-114013	Connecting plate	2	
29	AMWP81115-114600	Screw weldment	1	

Figure 1-4 Pot Hole Protection Assembly

Item	Part Number	Description	Qty.	Remark
30	AMWP81115-114009	Pin	2	
31	AMWP81115-114012	Bush	1	
32	GB/T 70.1-2000	Screw M10×40	2	
33	AMWP81115-114007	Plate	2	
34	23×20×10	Bearing	6	
35	AMWP81115-114006	Washer	9	
36	GB/T 93-1987	Spring washer 8	9	
37	GB/T 70.1-2000	Screw M8×16	9	
38	AMWP81115-114011	Pin	4	
39	18×16×10	Bearing	4	
40	YQ10/22-239-595(O-O)400	Gas spring	2	
41	AMWP81115-114002	Plate	2	

Figure 1-5 Turntable Covers Installation

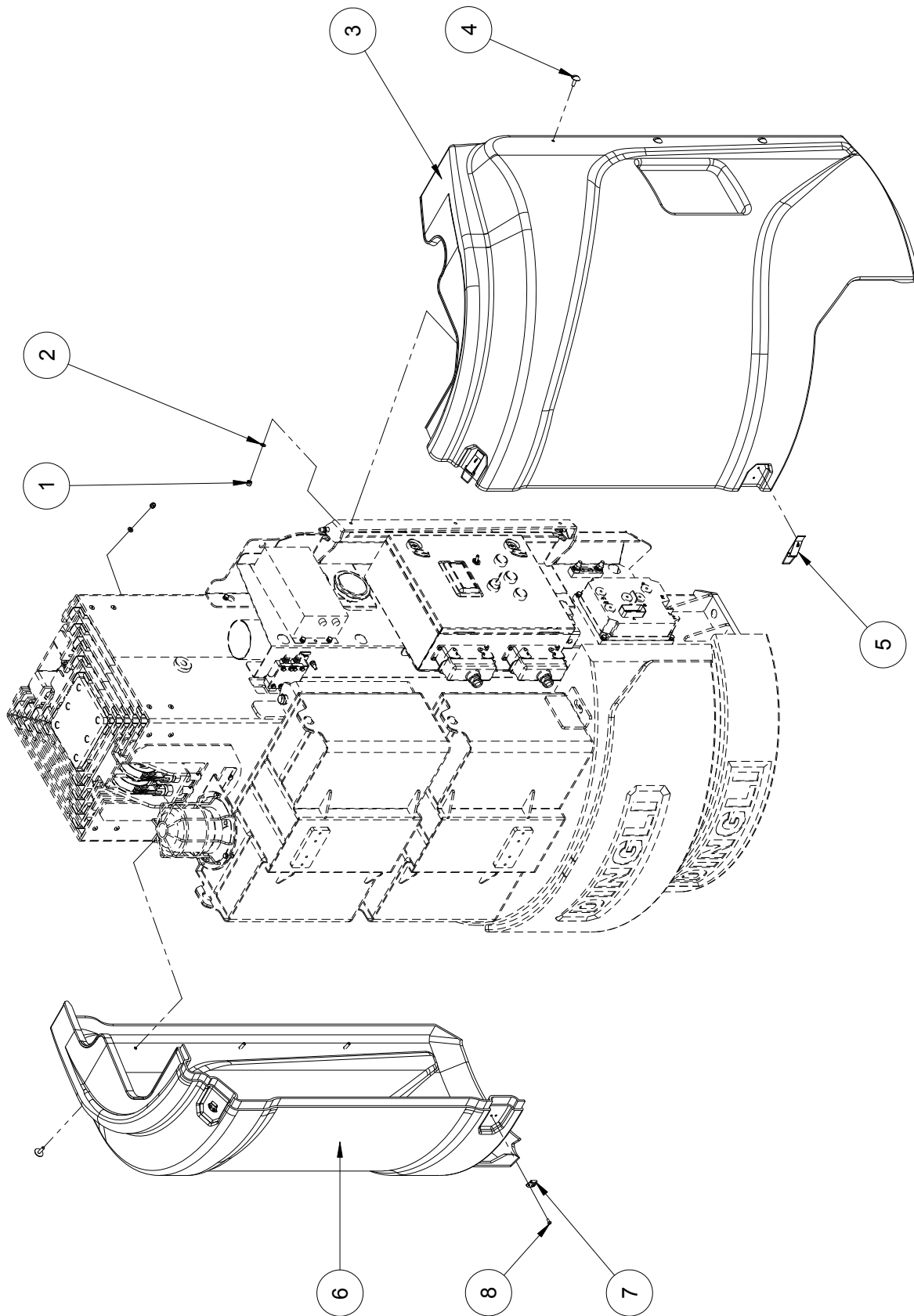


Figure 1-5 Turntable Covers Installation

Item	Part Number	Description	Qty.	Remark
1	GB/T 6182-2000	Nut M6	6	
2	GB/T 97.1-2002	Washer 6	6	
3	AMWP81115-171500	Left cover	1	
4	AMWP8-1000-100104	Screw	6	
5		Lock	2	
6		Locking hook	2	
7	GB/T 818-2000	Screw M4×10-H	8	
8	AMWP81115-171600	Right cover	1	

Figure 1-6 Turntable Assembly

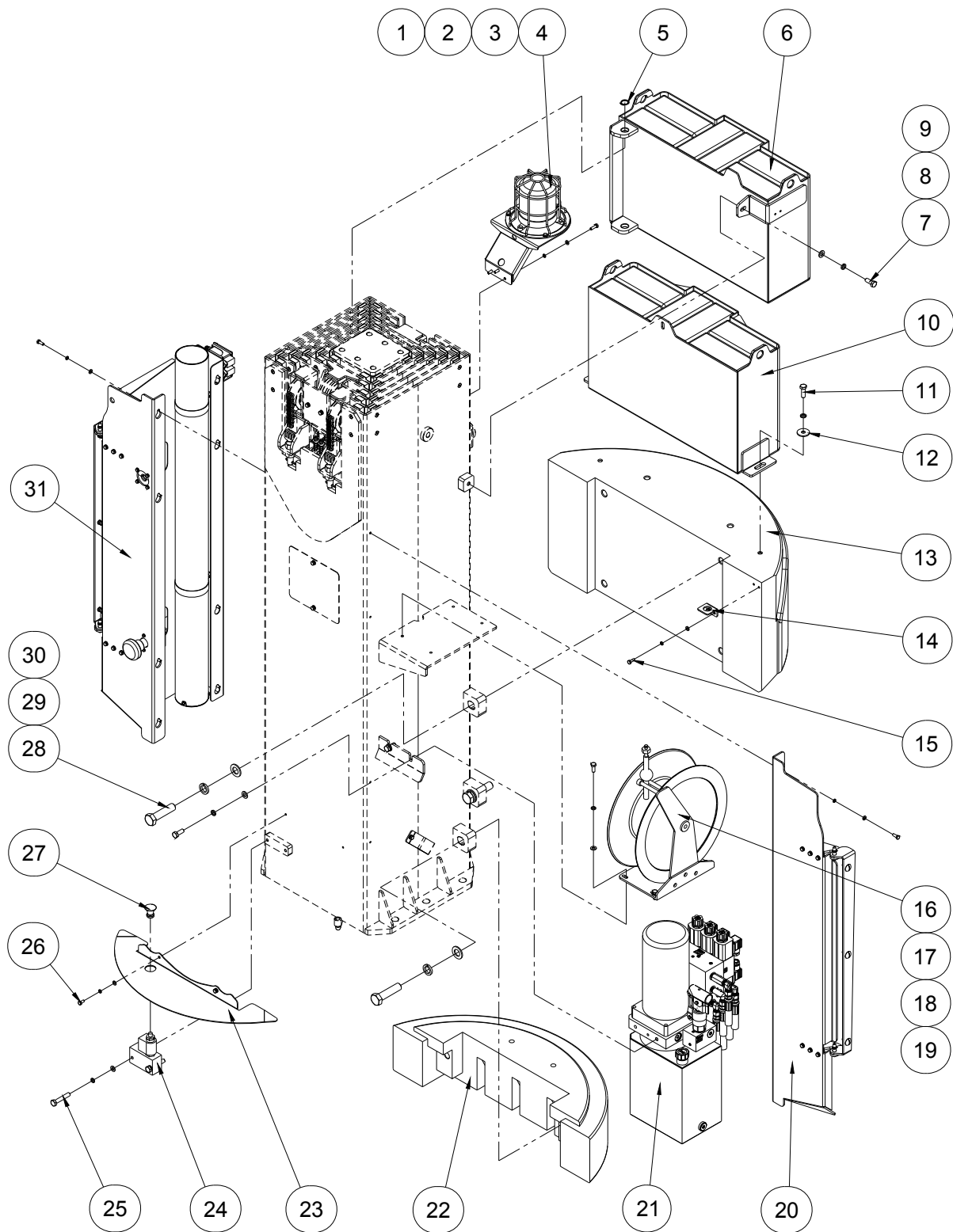


Figure 1-6 Turntable Assembly

Item	Part Number	Description	Qty.	Remark
1	AMWP81115-100800	Beacon assembly	1	
2	GB/T 97.1-2002	Washer 6	19	
3	GB/T 93-1987	Spring washer 6	19	
4	GB/T 5783-2000	Bolt M6×20	3	
5	GB/T 894.2-1986	Circlip for shaft 20	2	
6	AMWP81115-100200	Upper battery box unit	1	
7	GB/T 5783-2000	Bolt M10×25	3	
8	GB/T 93-1987	Spring washer 10	5	
9	GB/T 97.1-2002	Washer 10	3	
10	AMWP81115-100100	Lower battery box unit	1	
11	GB/T 5783-2000	Bolt M10×30	2	
12	GB/T 5287-1985	Washer 10	2	
13	AMWP81115-100002	Counterweight	1	
14	AMWP81115-100013	Handle seat	1	
15	GB/T 5783-2000	Bolt M6×16	14	
16	AMWP81115-100500	Hydraulic hose reel	1	
17	GB/T 5783-2000	Bolt M8×20	4	
18	GB/T 93-1987	Spring washer 8	6	
19	GB/T 97.1-2002	Washer 8	6	
20	AMWP81115-102000	Right accessory assembly	1	
21	5807-2301975-01	Hydraulic power unit	1	
22	AMWP81115-100001	Counterweight	1	
23	AMWP81115-100008	Lower housing	1	
24	5805-08016	Emergency lowering block	1	
25	GB/T 5780-2000	Bolt M8×50	2	
26	GB/T 5783-2000	Bolt M6×12	2	
27	AMWP81115-100005	Handle	1	
28	GB/T 5783-2000	Bolt M20×80	6	
29	GB/T 93-1987	Spring washer 20	6	

Figure 1-6 Turntable Assembly

Item	Part Number	Description	Qty.	Remark
29	GB/T 97.1-2002	Washer 20	6	
30	AMWP81115-101000	Left accessory assembly	1	

Figure 1-7 Beacon assembly

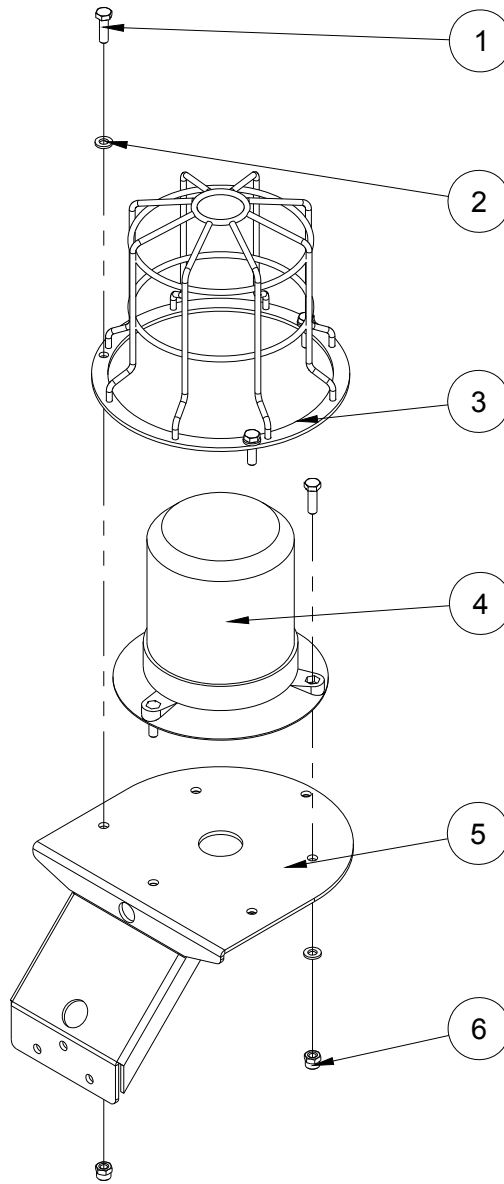


Figure 1-7 Beacon assembly

Item	Part Number	Description	Qty.	Remark
1	GB/T 5783-2000	Bolt M6×20	6	
2	GB/T 97.1-2002	Washer 6	6	
3	JCPT1523RT-10350	Beacon cover	1	
4	6914-0200211-01	Beacon	1	
5	AMWP81115-100009	Beacon seat	1	
6	GB/T 6182-2000	Nut M6	6	

Figure 1-8 Right Accessory Assembly

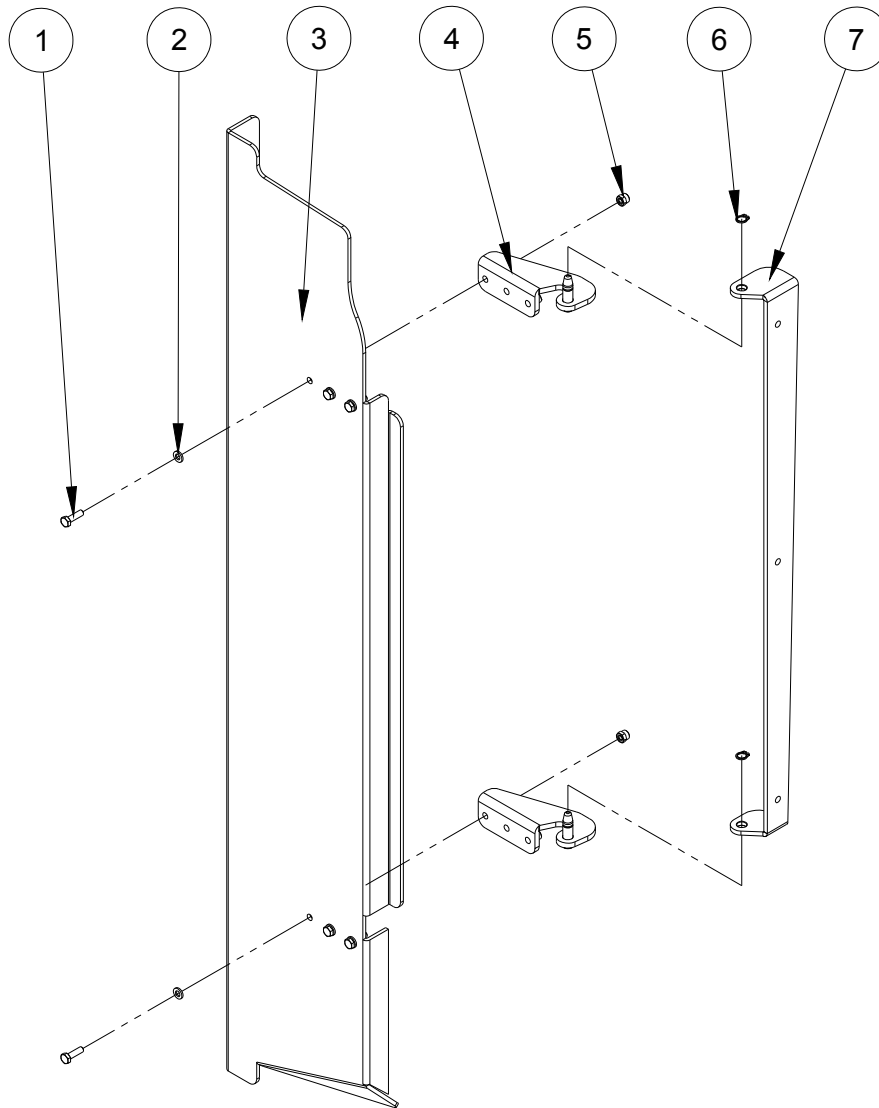


Figure 1-8 Right Accessory Assembly

Item	Part Number	Description	Qty.	Remark
1	GB/T 5783-2000	Bolt M6×25	6	
2	GB/T 97.1-2002	Washer 6	6	
3	AMWP81115-100012	Right side board	1	
4	AMWP81115-100920a	Hinge seat	2	
5	GB/T 6182-2000	Nut M6	6	
6	GB/T 894.1-1986	Circlip for shaft 10	2	
7	AMWP81115-100910a	Hinge board	1	

Figure 1-9 Left Accessory Assembly

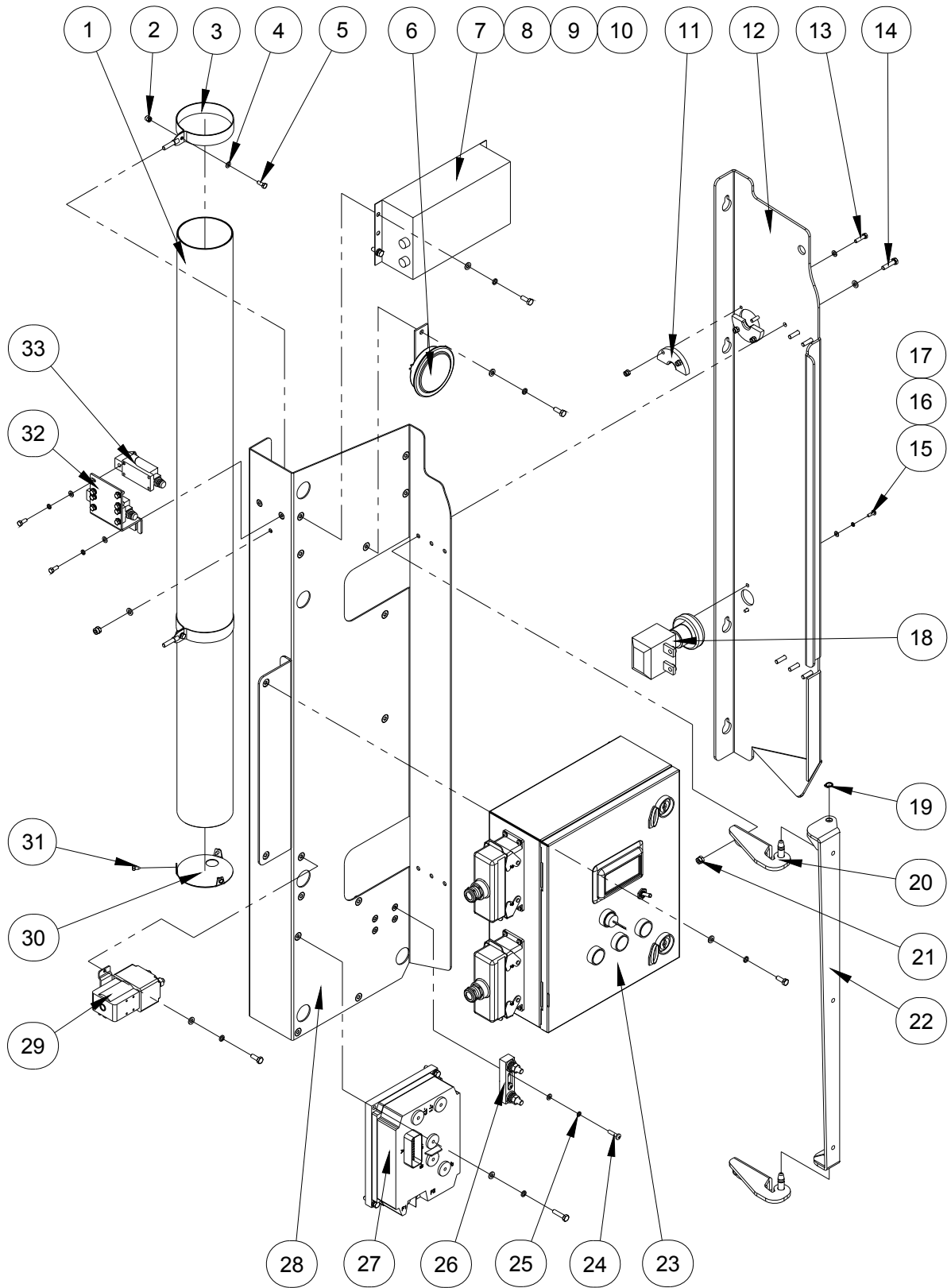


Figure 1-9 Left Accessory Assembly

Item	Part Number	Description	Qty.	Remark
1	AMWP81115-100006	PVC tube	1	
2	GB/T 6182-2000	Nut M5	6	
3	AMWP81115-100400	Hoop	2	
4	GB/T 97.1-2002	Washer 5	16	
5	GB/T 5783-2000	Bolt M5×12	12	
6	6915-0203105-01	Horn	1	
7	6901-0142430-01	Charger	1	
8	GB/T 97.1-2002	Washer 6	23	
9	GB/T 93-1987	Spring washer 6	15	
10	GB/T 5783-2000	Bolt M6×16	11	
11	JCPT5007MQ-114011	Half-round batten	2	
12	AMWP81115-100011	Left side board	1	
13	GB/T 5783-2000	Bolt M5×20	4	
14	GB/T 5783-2000	Bolt M6×25	10	
15	GB/T 818-2000	Screw M4×12-H	2	
16	GB/T 93-1987	Spring washer 4	2	
17	GB/T 97.1-2002	Washer 4	2	
18	6909-0500260-01	Power switch	1	
19	GB/T 894.1-1986	Circlip for shaft 10	2	
20	AMWP81115-100920	Hinge seat	2	
21	GB/T 6182-2000	Nut M6	8	
22	AMWP81115-100910	Hinge board	1	
23	AMWP81115-100600	Ground control panel assembly	1	
24	GB/T 818-2000	Screw M5×20-H	2	
25	GB/T 93-1987	Spring washer 5	12	
26	6906-8120250-01	Fuse	1	
27	6904-0204300-01	Controller	1	
28	AMWP81115-100300	Left side board	1	
29	6906-0303200-01	DC Contactor	1	

Figure 1-9 Left Accessory Assembly

Item	Part Number	Description	Qty.	Remark
30	AMWP81115-100021	PVC tube soleplate	1	
31	GB/T 5285-1985	Screw ST4.2×9.5 C	3	
32	AMWP81115-100007	Switch seat	1	
33	6909-0701200-02	Limit switch	2	

Figure 1-10 Ground Control Panle Assembly

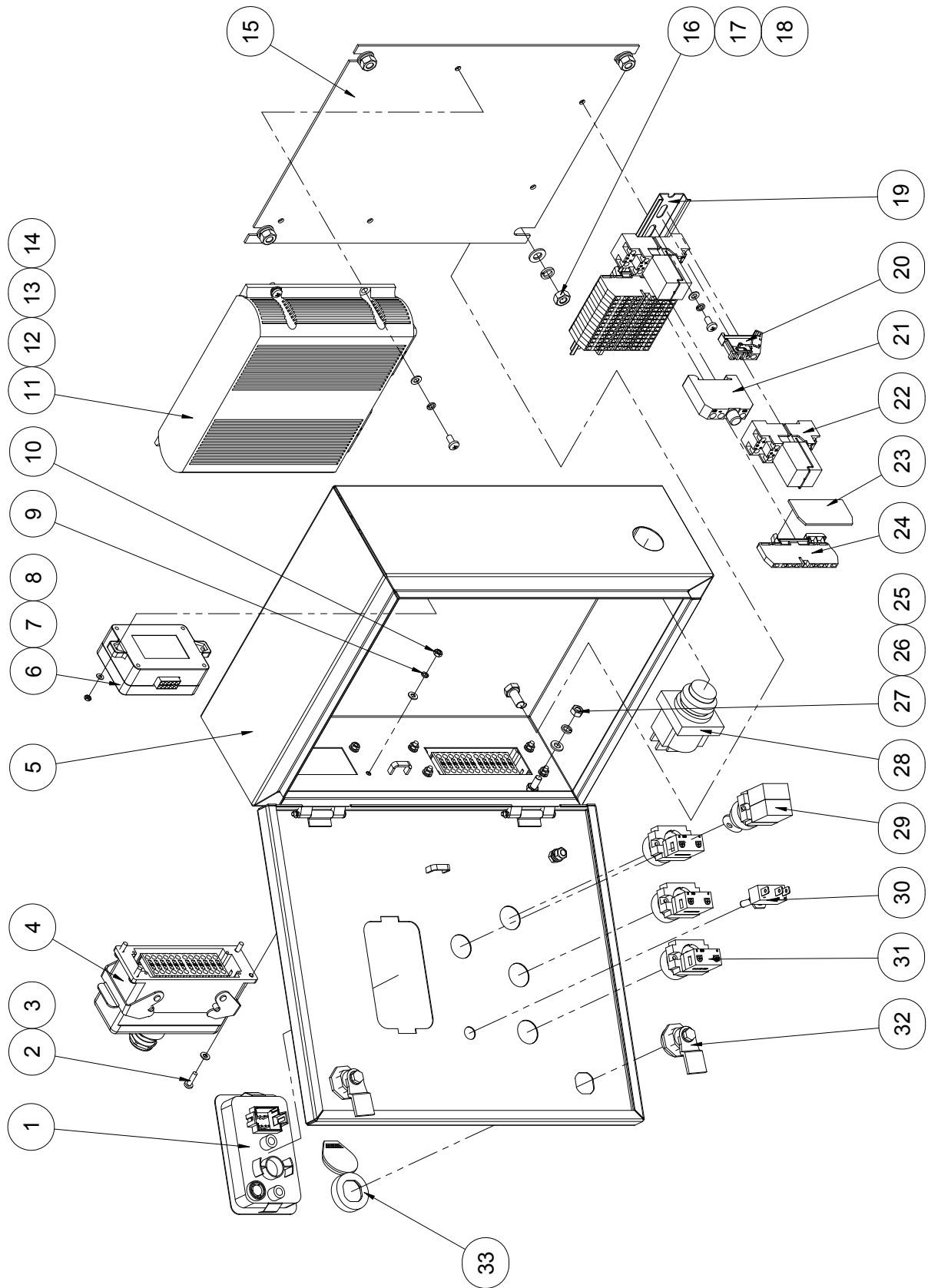


Figure 1-10 Ground Control Panle Assembly

Item	Part Number	Description	Qty.	Remark
1	6908-0900217-03	Display	1	
2	GB/T 818-2000	Screw M4×14-H	8	
3	GB/T 97.1-2002	Washer 4	16	
4	6911-0006124-01	Connector assembly of 24 pin	2	
5	AMWP81115-100620	Ground control box	1	
6	6904-5001006-01	PWM convertor module	1	
7	GB/T 97.1-2002	Washer 3	2	
8	GB/T 6170-2000	Nut M3	2	
9	GB/T 93-1987	Spring washer 4	8	
10	GB/T 6170-2000	Nut M4	8	
11	6904-0101000-02	Controller LE70	1	
12	GB/T 97.1-2002	Washer 5	6	
13	GB/T 93-1987	Spring washer 5	6	
14	GB/T 818-2000	Screw M5×10-H	6	
15	AMWP81115-100603	Mounting plate	1	
16	GB/T 97.1-2002	Washer 8	4	
17	GB/T 93-1987	Spring washer 8	4	
18	GB/T 6170-2000	Nut M8	4	
19	6999-1020200-01	Rail 200	1	
20	6999-0401000-01	Fixer terminal	2	
21	6906-8020010-01	Fuse	1	
22	6906-6003201-01	Relay assembly	2	
23	6999-0402000-01	Terminal cover	1	
24	6912-1002140-01	Strip terminal	15	
25	GB/T 6170-2000	Nut M6	2	
26	GB/T 93-1987	Spring washer 6	2	
27	GB/T 97.1-2002	Washer 6	2	
28	6915-0103000-02	Buzzer	1	
29	6909-0400132-01	Key switch	1	

Figure 1-10 Ground Control Panle Assembly

Item	Part Number	Description	Qty.	Remark
30	6901-0100312-01	Toggle switch	1	
31	6909-0201113-01	Button (Green)	3	
32	MS705	Lock	2	
33	WP002	Lock cover	2	

Mast

Section 2

Figure 2-1 Mast and Chassis Installation

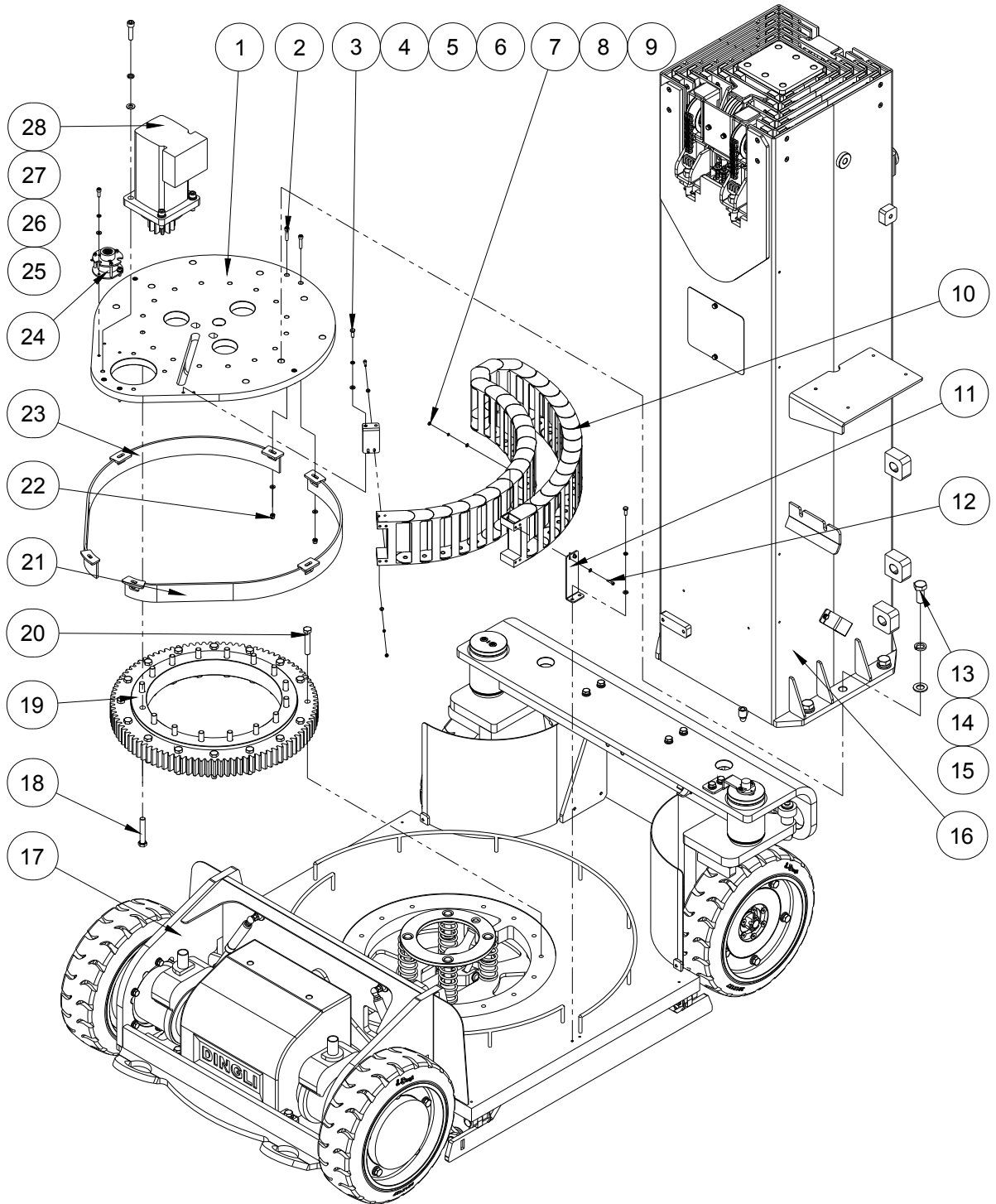


Figure 2-1 Mast and Chassis Installation

Item	Part Number	Description	Qty.	Remark
1	AMWP81115-327000	Mast soleplate weldment	1	
2	GB/T 70.1-2000	Screw M6×30	6	
3	GB/T 5783-2000	Bolt M6×16	7	
4	GB/T 93-1987	Spring washer 6	7	
5	GB/T 97.1-2002	Washer 6	13	
6	AMWP81115-100017	Cable track support	1	
7	GB/T 6170-2000	Nut M4	4	
8	GB/T 93-1987	Spring washer 4	4	
9	GB/T 97.1-2002	Washer 4	4	
10		Cable track	1	
11	AMWP81115-100016	Cable track support	1	
12	GB/T 70.1-2000	Screw M4×16	4	
13	GB/T 5781-2000	Bolt M18×40	8	
14	GB/T 93-1987	Spring washer 18	8	
15	GB/T 97.1-2002	Washer 18	8	
16	AMWP81100-330000	Mast assembly	1	AMWP10-8100
	AMWP81115-330000	Mast assembly	1	AMWP11.5-8100
17	AMWP81115-110000	Chassis assembly	1	
18	GB/T 5785-2000	Bolt M12×1.5×70	16	
19		Gear ring	1	
20	GB/T 5785-2000	Bolt M12×1.5×65	16	
21	AMWP81115-328100	Protection board weldment	1	
22	GB/T 6182-2000	Nut M6	6	
23	AMWP81115-328100a	Protection board weldment	1	
24	6905-0200024-01	Level sensor	1	
25		Slewing motor	1	
26	GB/T 97.1-2002	Washer 10	4	
27	GB/T 93-1987	Spring washer 10	4	
28	GB/T 70.1-2000	Screw M10×40	4	

Figure 2-2 Mast Assembly (AMWP11.5-8100)

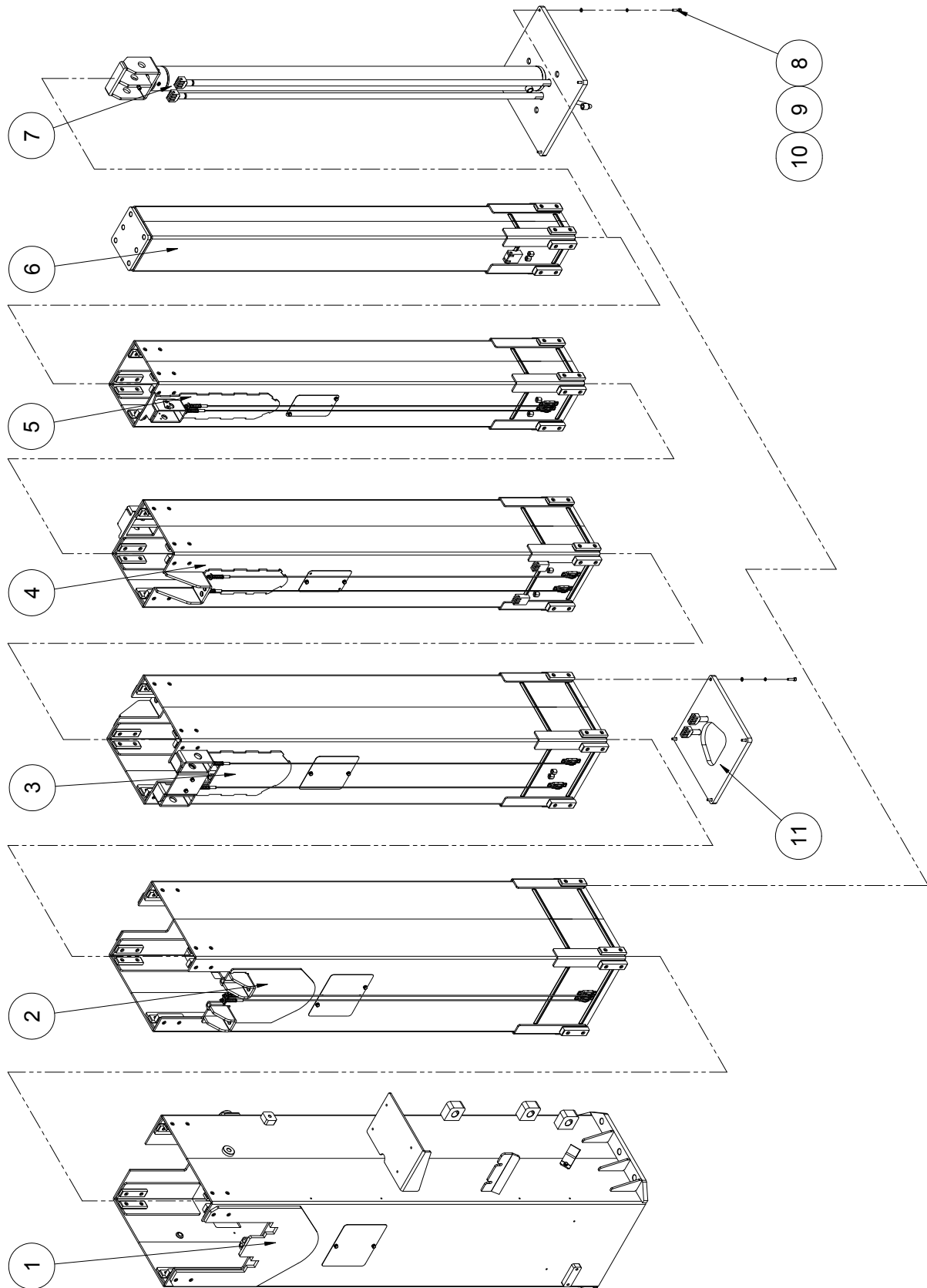


Figure 2-2 Mast Assembly (AMWP11.5-8100)

Item	Part Number	Description	Qty.	Remark
1	AMWP81115-331000	Mast 1 assembly	1	
2	AMWP81115-332000	Mast 2 assembly	1	
3	AMWP81115-333000	Mast 3 assembly	1	
4	AMWP81115-334000	Mast 4 assembly	1	
5	AMWP81115-335000	Mast 5 assembly	1	
6	AMWP81115-336000	Mast 6 assembly	1	
7	AMWP81115-531000	Lift cylinder assembly	1	
8	GB/T 97.1-2002	Washer 6	8	
9	GB/T 93-1987	Spring washer 6	8	
10	GB/T 70.1-2000	Screw M6×25	8	
11	AMWP81115-323200	Soleplate weldment	1	

Figure 2-3 Mast 1 Assembly

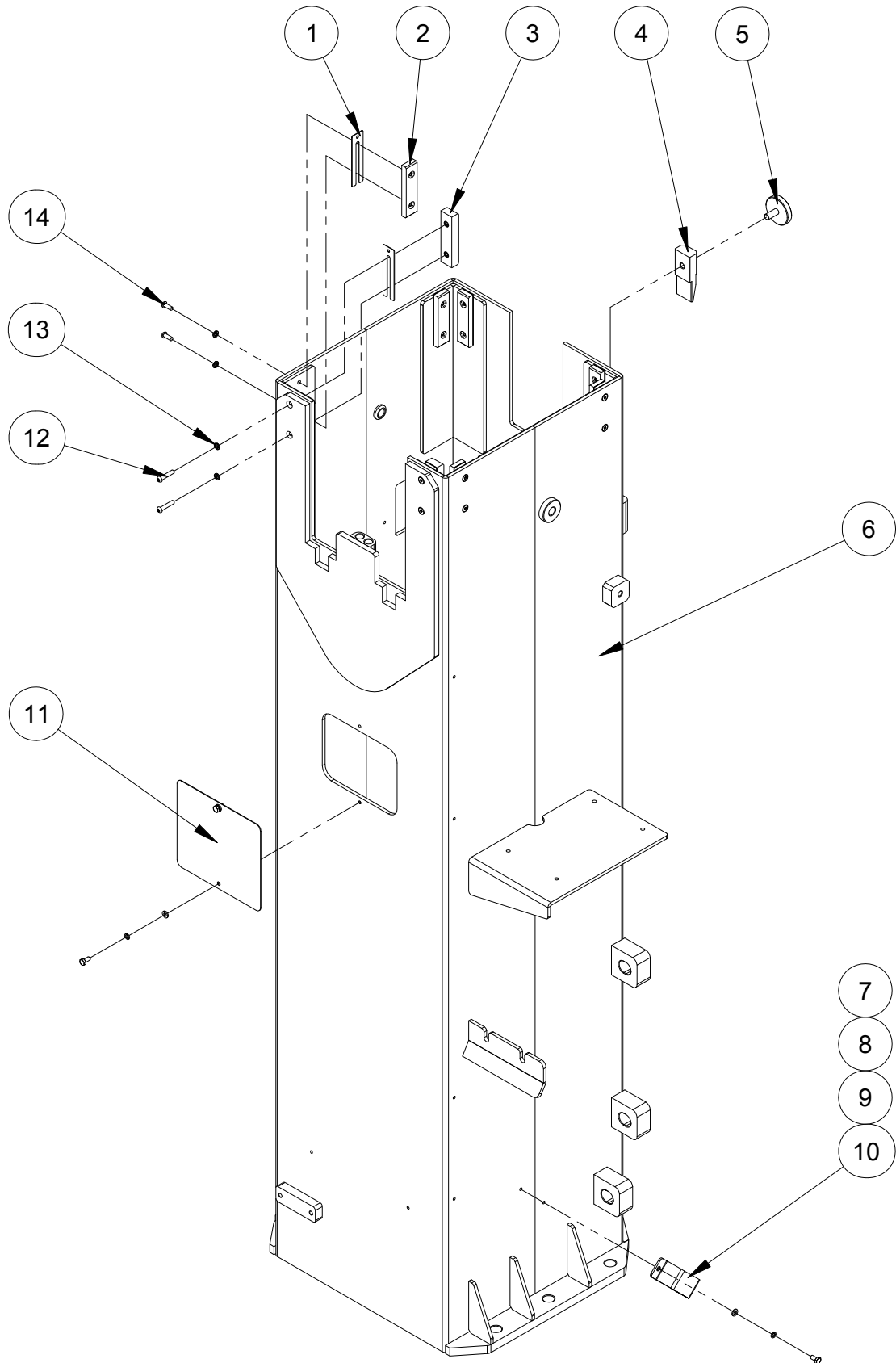


Figure 2-3 Mast 1 Assembly

Item	Part Number	Description	Qty.	Remark
1	AMWP81115-321001	Shim	8	
2	AMWP81115-321300	Slide block	6	
3	AMWP81115-321200	Slide block	2	
4	AMWP81115-100010	Wedge	1	
5	AMWP81115-100700	Fixed board	1	
6	AMWP81115-331100	Mast 1 weldment	1	
7	AMWP81115-100023	Hydraulic hose pressboard	1	
8	GB/T 97.1-2002	Washer 6	4	
9	GB/T 93-1987	Spring washer 6	4	
10	GB/T 5783-2000	Bolt M6×12	4	
11	AMWP81115-321002	Seal board	1	
12	GB/T 70.2-2008	Screw M6×30	4	
13	DIN25201	Washer 6	16	
14	GB/T 70.2-2000	Screw M6×16	12	

Figure 2-4 Mast 2 Assembly

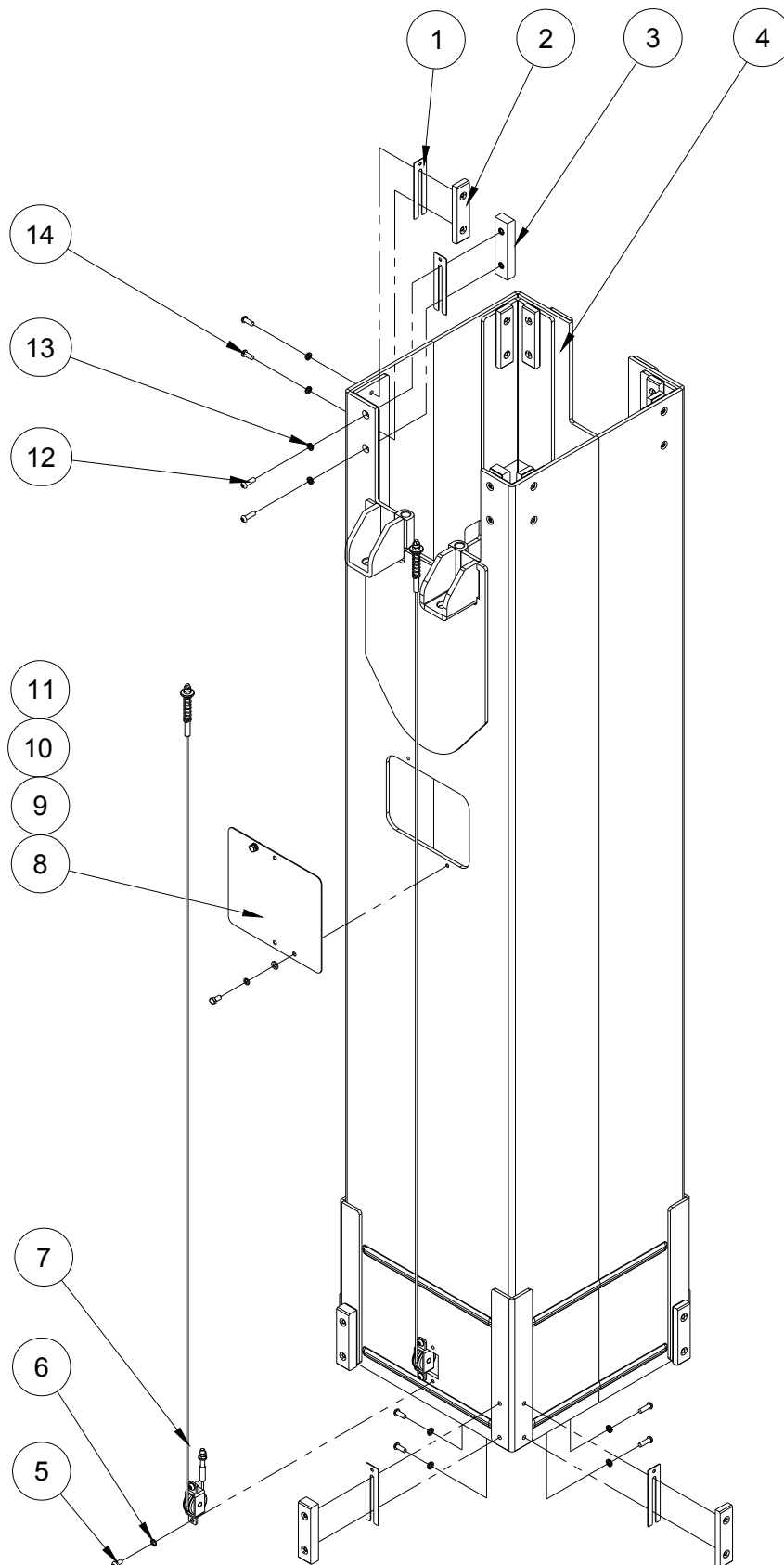


Figure 2-4 Mast 2 Assembly

Item	Part Number	Description	Qty.	Remark
1	AMWP81115-321001	Shim	16	
2	AMWP81115-321300	Slide block	12	
3	AMWP81115-321200	Slide block	4	
4	AMWP81115-332100	Mast 2 weldment	1	
5	GB/T 70.2-2000	Screw M6×10	2	
6	GB/T 861.2-1987	Washer 6	2	
7	AMWP81115-322400	Cable assembly	2	
8	AMWP81115-322002	Seal board	1	
9	GB/T 93-1987	Spring washer 6	2	
10	GB/T 97.1-2002	Washer 6	2	
11	GB/T 5783-2000	Bolt M6×12	2	
12	GB/T 70.2-2000	Screw M6×20	8	
13	DIN25201	Washer 6	32	
14	GB/T 70.2-2000	Screw M6×16	24	

Figure 2-5 Mast 3 Assembly

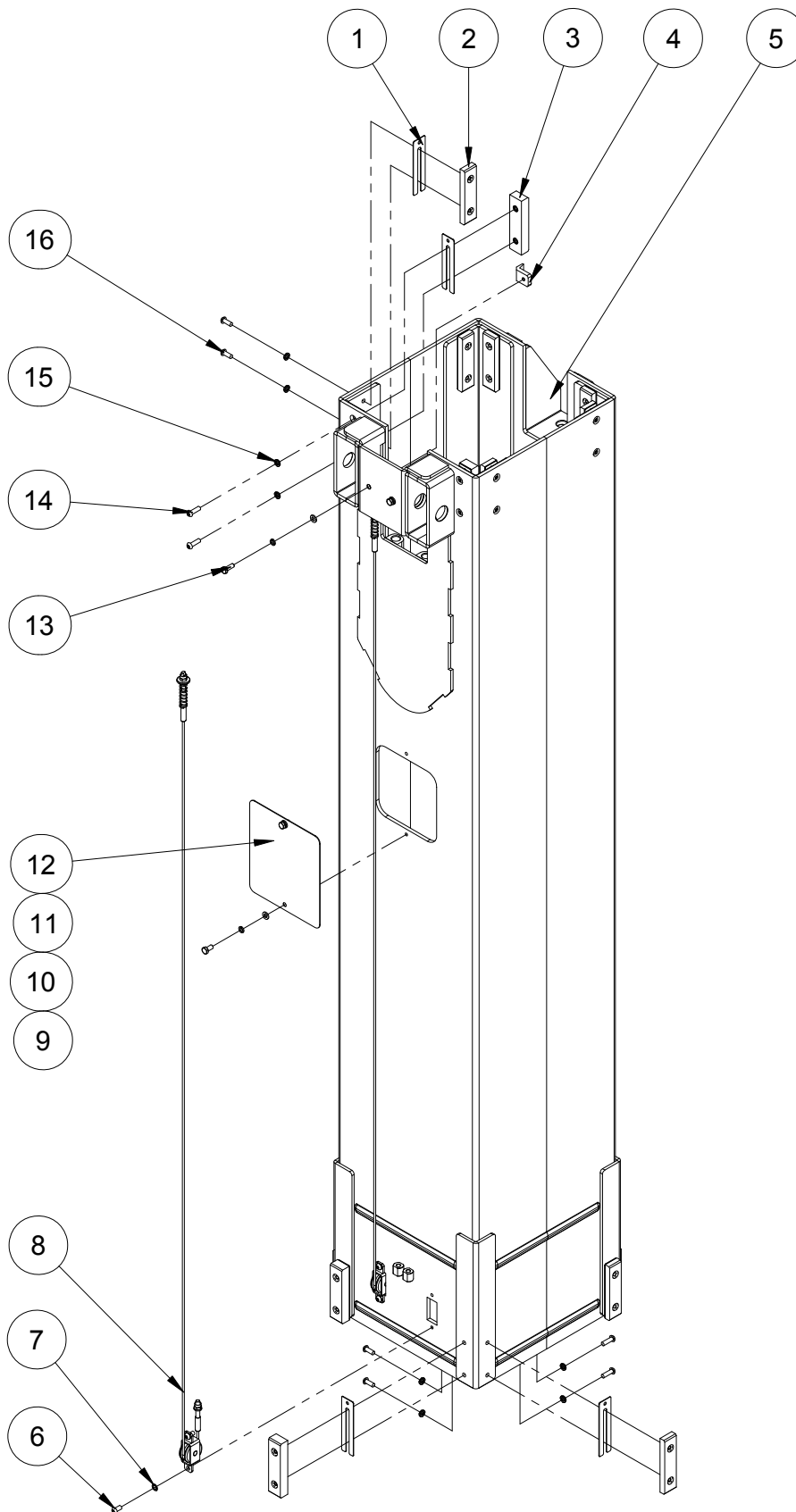


Figure 2-5 Mast 3 Assembly

Item	Part Number	Description	Qty.	Remark
1	AMWP81115-321001	Shim	16	
2	AMWP81115-321300	Slide block	12	
3	AMWP81115-321200	Slide block	4	
4	AMWP81115-323004	Pressboard	2	
5	AMWP81115-333100	Mast 3 weldment	1	
6	GB/T 70.2-2000	Screw M6×10	2	
7	GB/T 861.2-1987	Washer 6	2	
8	AMWP81115-322400	Cable assembly	2	
9	AMWP81115-323005	Seal board	1	
10	GB/T 93-1987	Spring washer 6	4	
11	GB/T 97.1-2002	Washer 6	4	
12	GB/T 5783-2000	Bolt M6×12	2	
13	GB/T 5783-2000	Bolt M6×16	2	
14	GB/T 70.2-2000	Screw M6×20	8	
15	DIN25201	Washer 6	32	
16	GB/T 70.2-2000	Screw M6×16	24	

Figure 2-6 Mast 4 Assembly (AMWP11.5-8100)

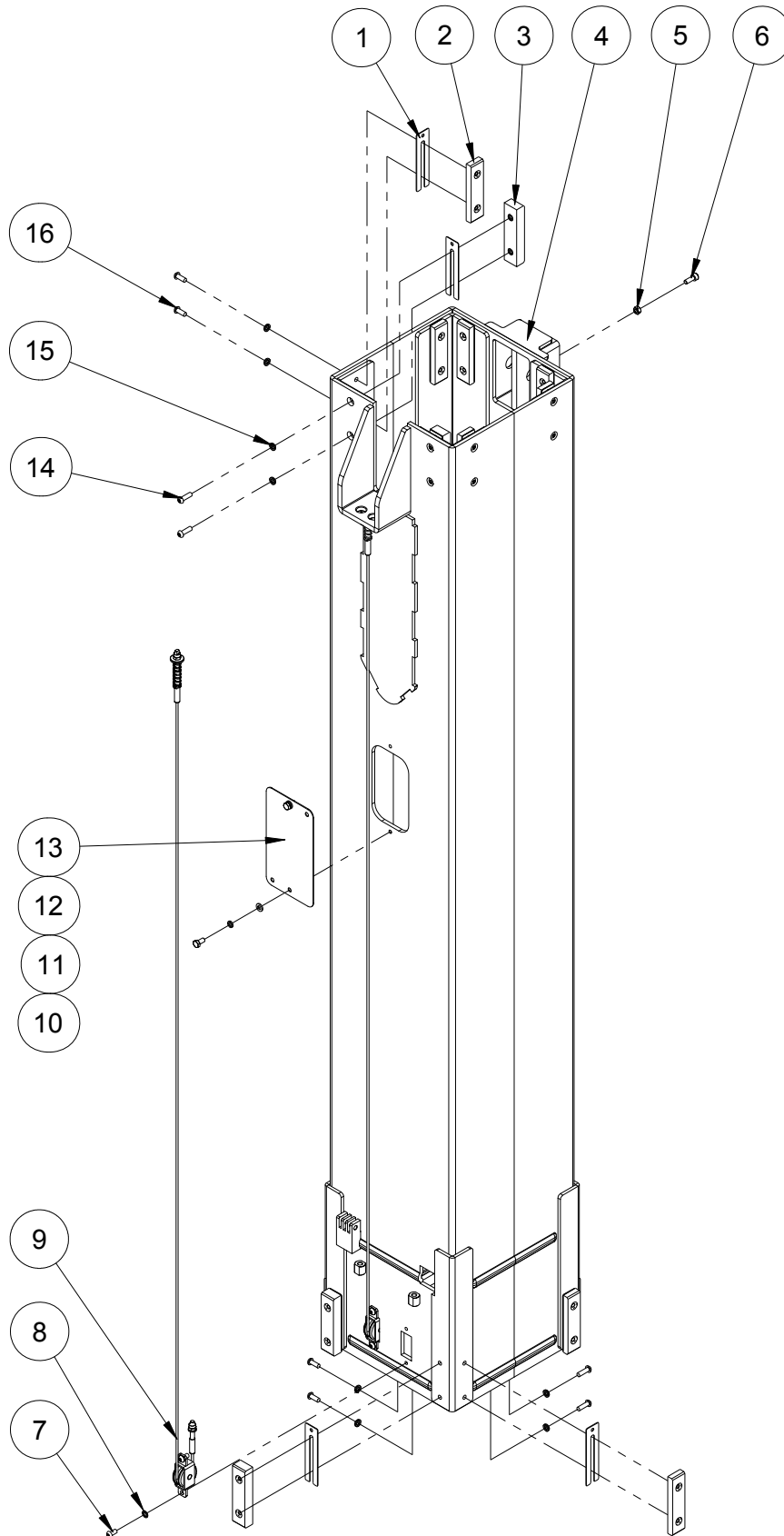


Figure 2-6 Mast 4 Assembly (AMWP11.5-8100)

Item	Part Number	Description	Qty.	Remark
1	AMWP81115-321001	Shim	16	
2	AMWP81115-321300	Slide block	12	
3	AMWP81115-321200	Slide block	4	
4	AMWP81115-334100	Mast 4 weldment	1	
5	GB/T 6170-2000	Nut M6	1	
6	GB/T 70.1-2000	Screw M6×16	1	
7	GB/T 70.2-2000	Screw M6×10	2	
8	GB/T 861.2-1987	Washer 6	2	
9	AMWP81115-322400	Cable assembly	2	
10	AMWP81115-324002	Seal board	1	
11	GB/T 97.1-2002	Washer 6	2	
12	GB/T 93-1987	Spring washer 6	2	
13	GB/T 5783-2000	Bolt M6×12	2	
14	GB/T 70.2-2000	Screw M6×20	8	
15	DIN25201	Washer 6	32	
16	GB/T 70.2-2000	Screw M6×16	24	

Figure 2-7 Mast 5 Assembly (AMWP11.5-8100)

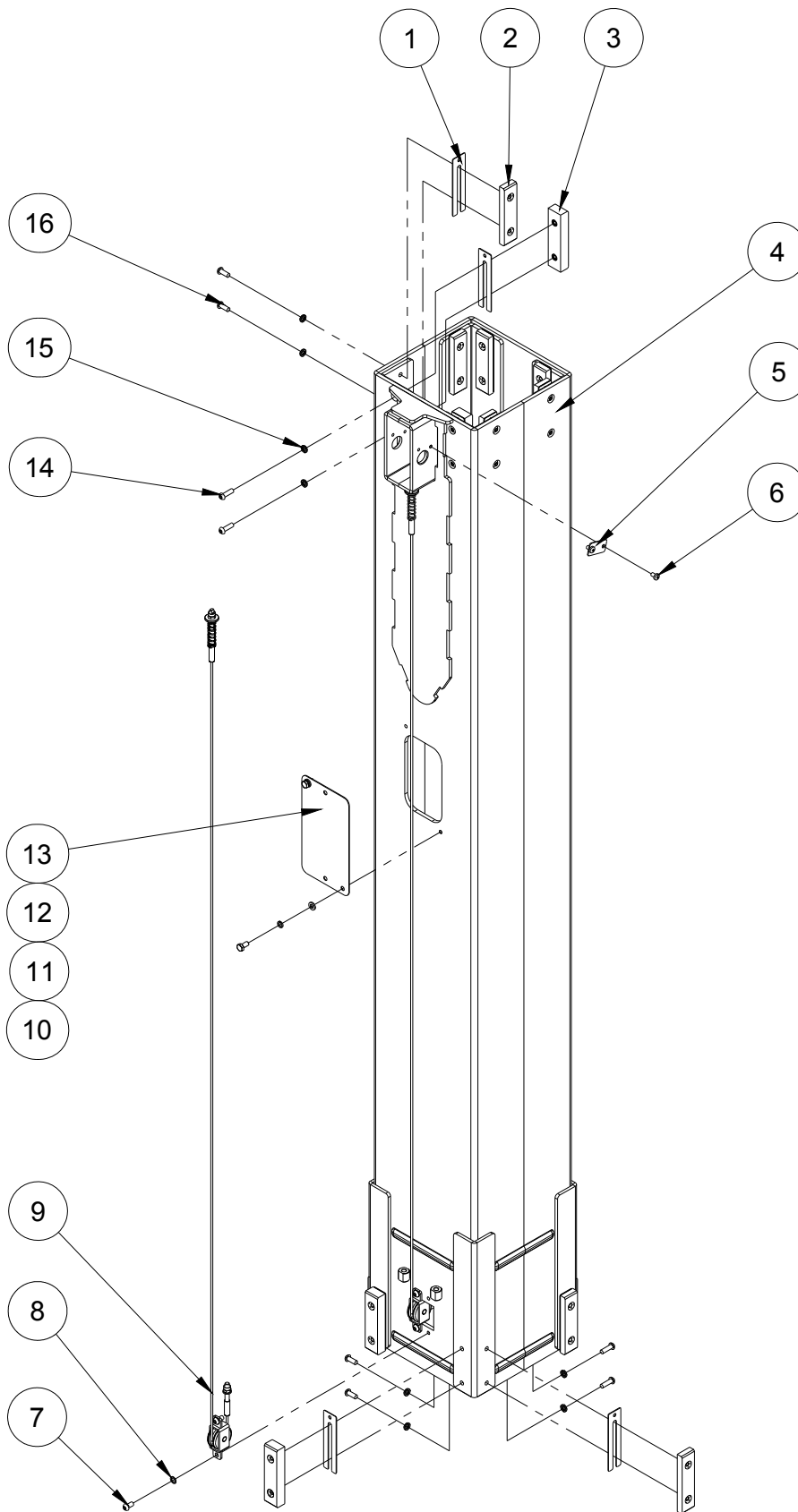


Figure 2-7 Mast 5 Assembly (AMWP11.5-8100)

Item	Part Number	Description	Qty.	Remark
1	AMWP81115-321001	Shim	16	
2	AMWP81115-321300	Slide block	12	
3	AMWP81115-321200	Slide block	4	
4	AMWP81115-335100	Mast 5 weldment	1	
5	AMWP81115-325003	Board	1	
6	GB/T 818-2000	Screw M5×8-H	2	
7	GB/T 70.2-2000	Screw M6×10	2	
8	GB/T 861.2-1987	Washer 6	2	
9	AMWP81115-322400	Cable assembly	2	
10	AMWP81115-324002	Seal board	1	
11	GB/T 93-1987	Spring washer 6	2	
12	GB/T 97.1-2002	Washer 6	2	
13	GB/T 5783-2000	Bolt M6×12	2	
14	GB/T 70.2-2000	Screw M6×20	8	
15	DIN25201	Washer 6	32	
16	GB/T 70.2-2000	Screw M6×16	24	

Figure 2-8 Mast 6 Assembly (AMWP11.5-8100)

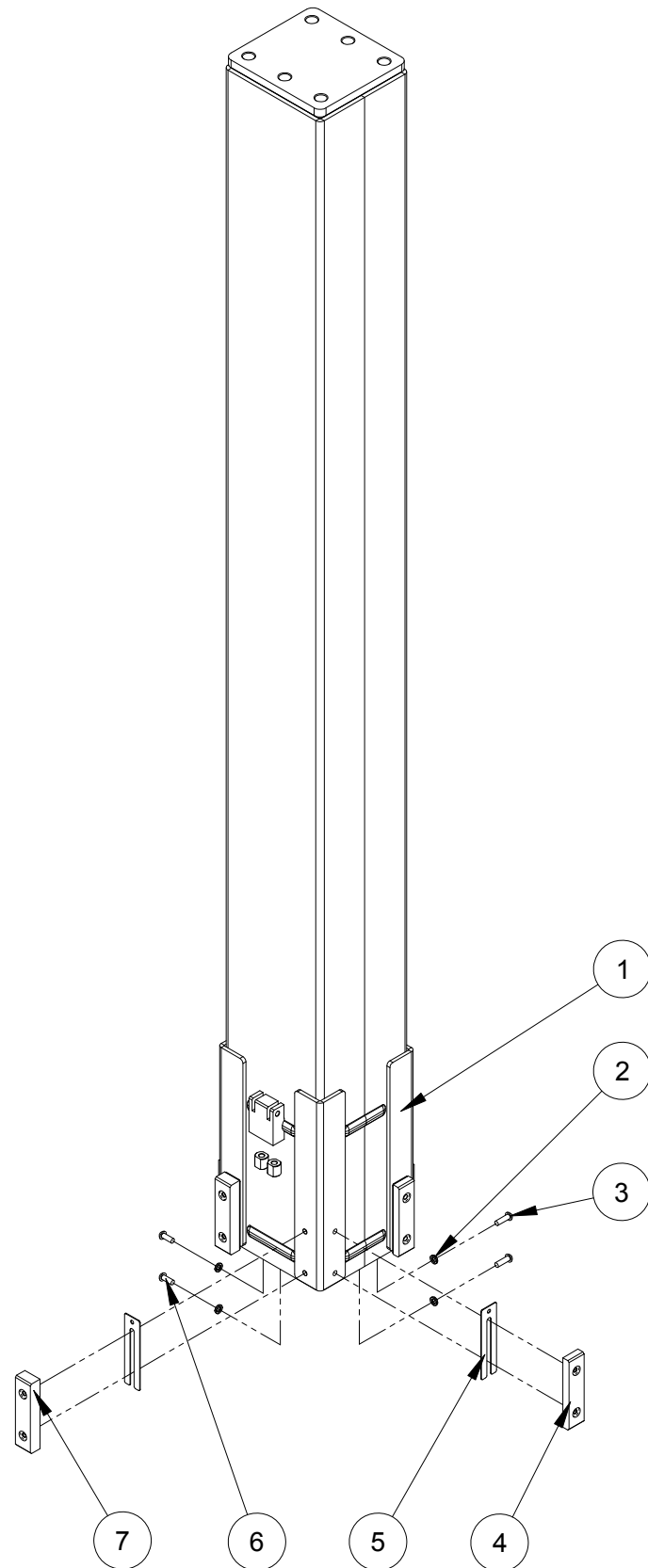


Figure 2-8 Mast 6 Assembly (AMWP11.5-8100)

Item	Part Number	Description	Qty.	Remark
1	AMWP81115-336100	Mast 6 weldment	1	
2	DIN25201	Washer 6	16	
3	GB/T 70.2-2000	Screw M6×20	4	
4	AMWP81115-321300	Slide block	6	
5	AMWP81115-321001	Shim	8	
6	GB/T 70.2-2000	Screw M6×16	12	
7	AMWP81115-321200	Slide block	2	

Figure 2-9 Cable Assembly

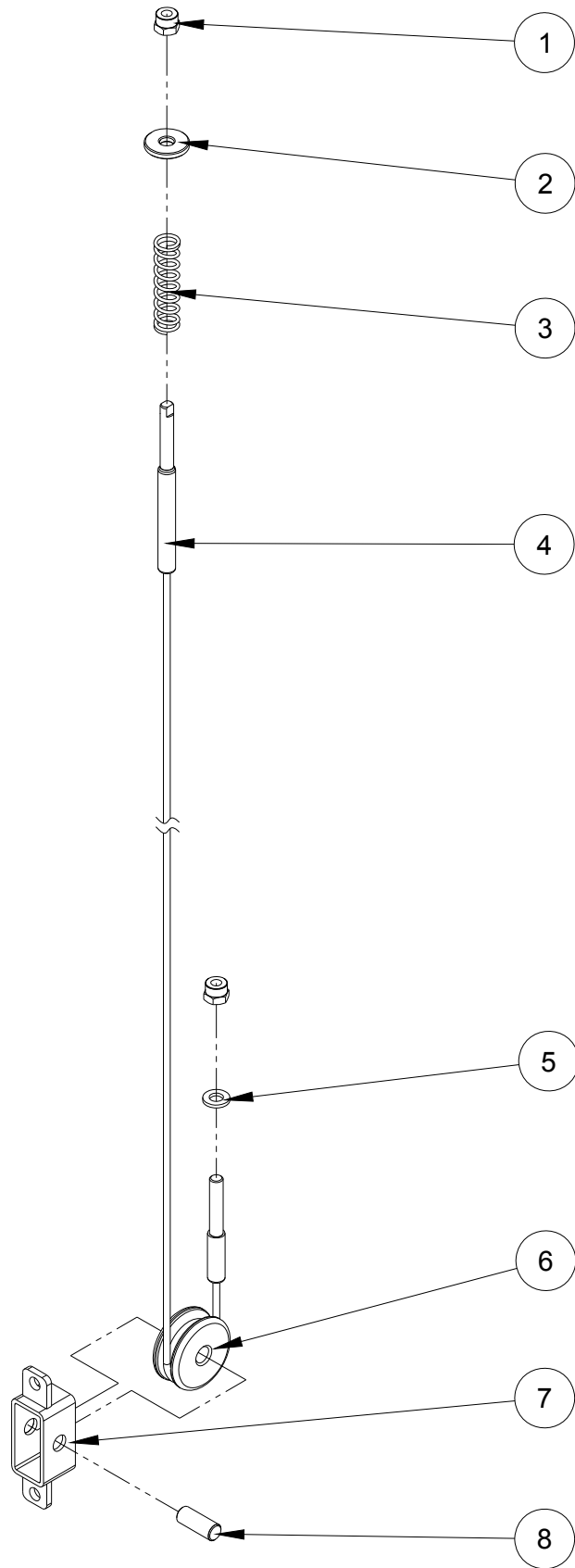


Figure 2-9 Cable Assembly

Item	Part Number	Description	Qty.	Remark
1	GB/T 6182-2000	Nut M6	2	
2	AMWP81115-322404	Washer	1	
3	AMWP81115-322403	Spring	1	
4	AMWP81115-322450	Cable	1	
5	GB/T 97.1-2002	Washer 6	1	
6	AMWP81115-322401	Pulley	1	
7	AMWP81115-322440	Pulley seat	1	
8	AMWP81115-322402	Pulley shaft	1	

Figure 2-10 Lift Cylinder Assembly

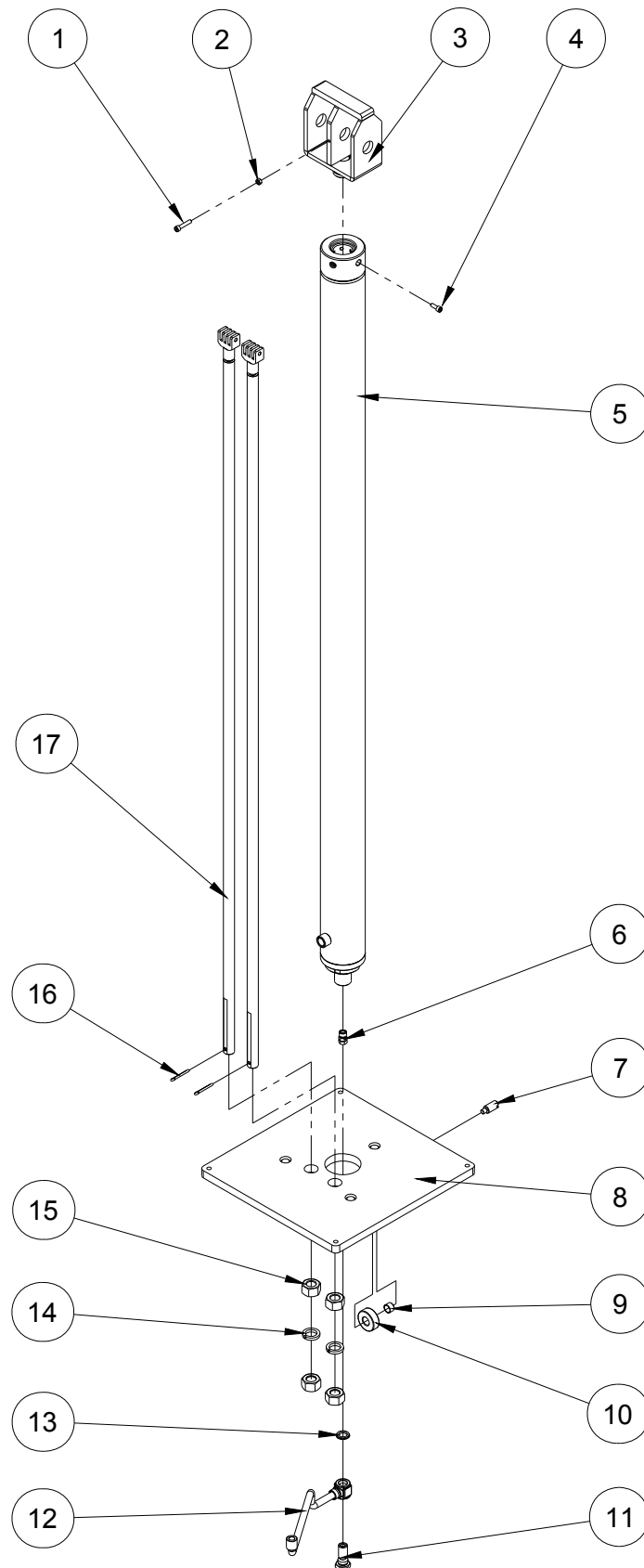


Figure 2-10 Lift Cylinder Assembly

Item	Part Number	Description	Qty.	Remark
1	GB/T 70.1-2000	Screw M6×30	1	
2	GB/T 6170-2000	Nut M6	1	
3	AMWP81115-531300	Sprocket wheel support	1	
4	GB/T 70.1-2000	Screw M6×16	5	
5	AMWP81115-531200	Lift cylinder	1	
6	HB-G02-20-08	Explosion-safe valve	1	
7	AMWP81115-531008	Roller shaft	3	
8	AMWP81115-531100	Soleplate weldment	1	
9	16×14×10	Bearing	3	
10	AMWP81115-531007	Roller	3	
11	AMWP81115-531003	Screw	1	
12	AMWP81115-531500	Vitta	1	
13	24/22×16×3	Washer	1	
14	GB/T 93-1987	Spring washer 20	2	
15	GB/T 6170-2000	Nut M20	4	
16	GB/T 91-2000	Pin 4×32	2	
17	AMWP81115-531400	Screw	2	

Figure 2-11 Mast Assembly (AMWP10-8100)

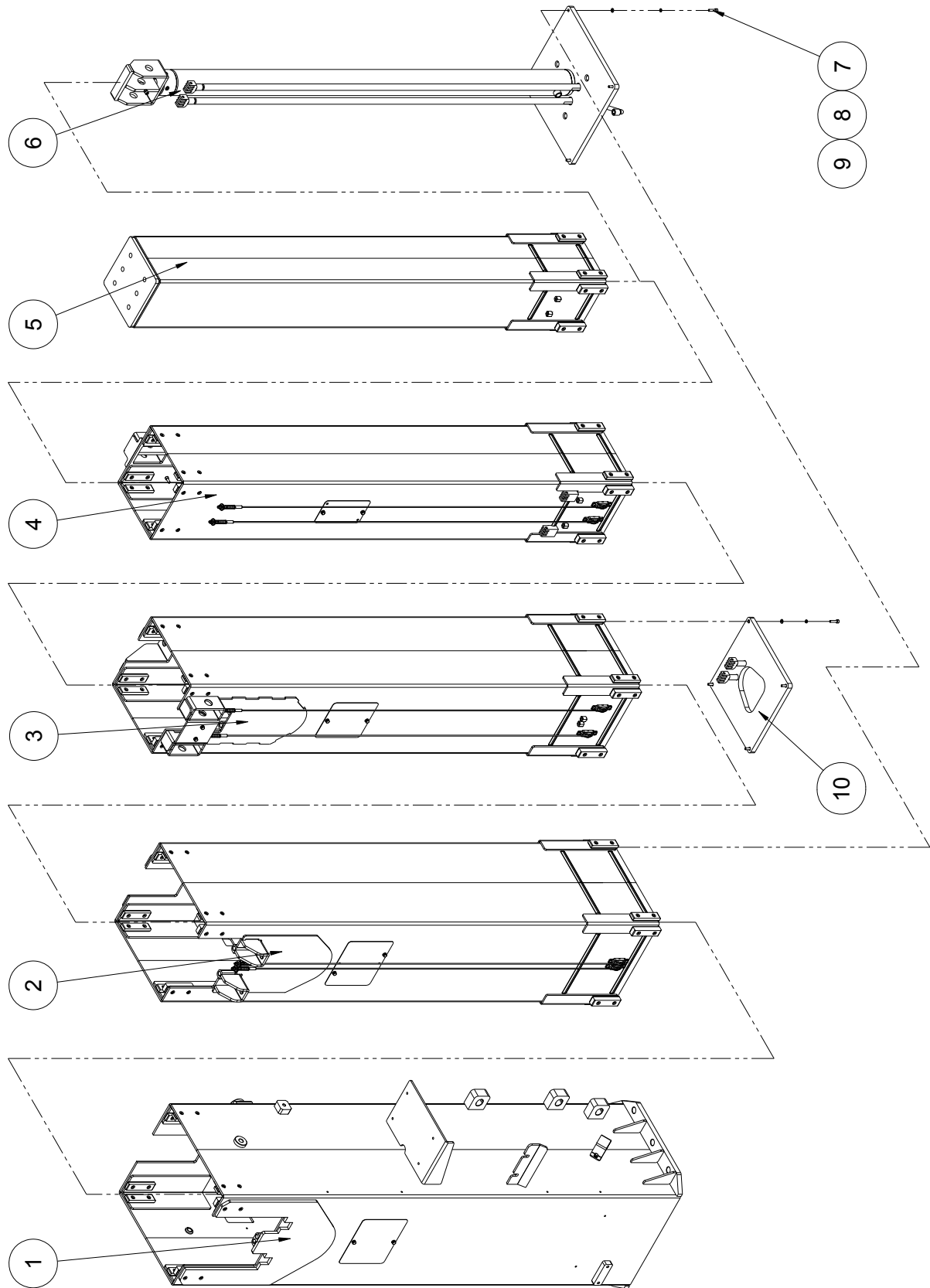


Figure 2-11 Mast Assembly (AMWP10-8100)

Item	Part Number	Description	Qty.	Remark
1	AMWP81115-331000	Mast 1 assembly	1	
2	AMWP81115-332000	Mast 2 assembly	1	
3	AMWP81115-333000	Mast 3 assembly	1	
4	AMWP81100-334000	Mast 4 assembly	1	
5	AMWP81100-335000	Mast 5 assembly	1	
6	AMWP81115-531000	Lift cylinder assembly	1	
7	GB/T 97.1-2002	Washer 6	8	
8	GB/T 93-1987	Spring washer 6	8	
9	GB/T 70.1-2000	Screw M6×25	8	
10	AMWP81115-323200	Soleplate weldment	1	

Figure 2-12 Mast 4 Assembly (AMWP10-8100)

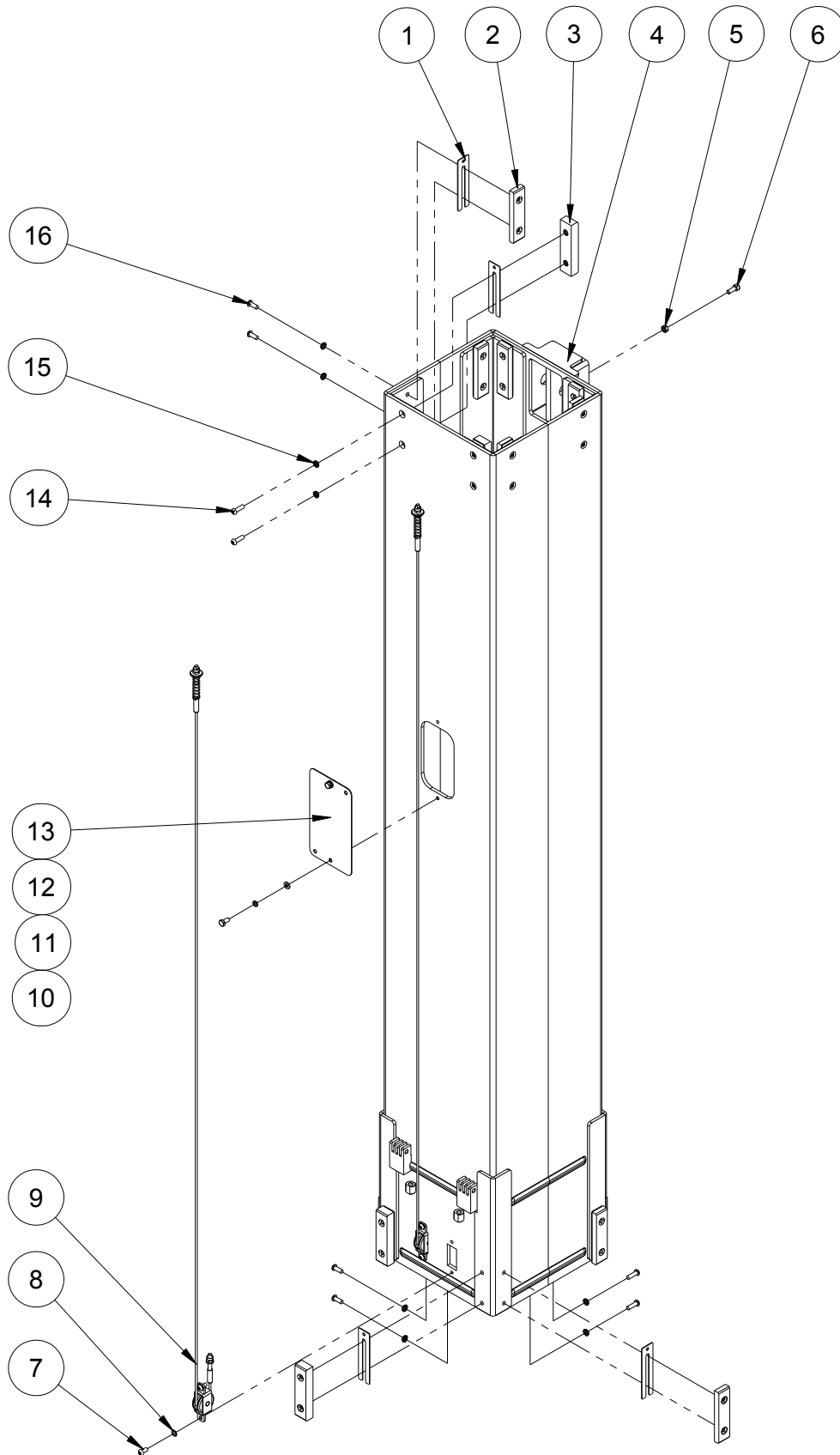


Figure 2-12 Mast 4 Assembly (AMWP10-8100)

Item	Part Number	Description	Qty.	Remark
1	AMWP81115-321001	Shim	16	
2	AMWP81115-321300	Slide block	12	
3	AMWP81115-321200	Slide block	4	
4	AMWP81100-334100	Mast 4 weldment	1	
5	GB/T 6170-2000	Nut M6	1	
6	GB/T 70.1-2000	Screw M6×16	1	
7	GB/T 70.2-2000	Screw M6×10	2	
8	GB/T 861.2-1987	Washer 6	2	
9	AMWP81115-322400	Cable assembly	2	
10	AMWP81115-324002	Seal board	1	
11	GB/T 93-1987	Spring washer 6	2	
12	GB/T 97.1-2002	Washer 6	2	
13	GB/T 5783-2000	Bolt M6×12	2	
14	GB/T 70.2-2000	Screw M6×20	8	
15	DIN25201	Washer 6	32	
16	GB/T 70.2-2000	Screw M6×16	24	

Figure 2-13 Mast 5 Assembly (AMWP10-8100)

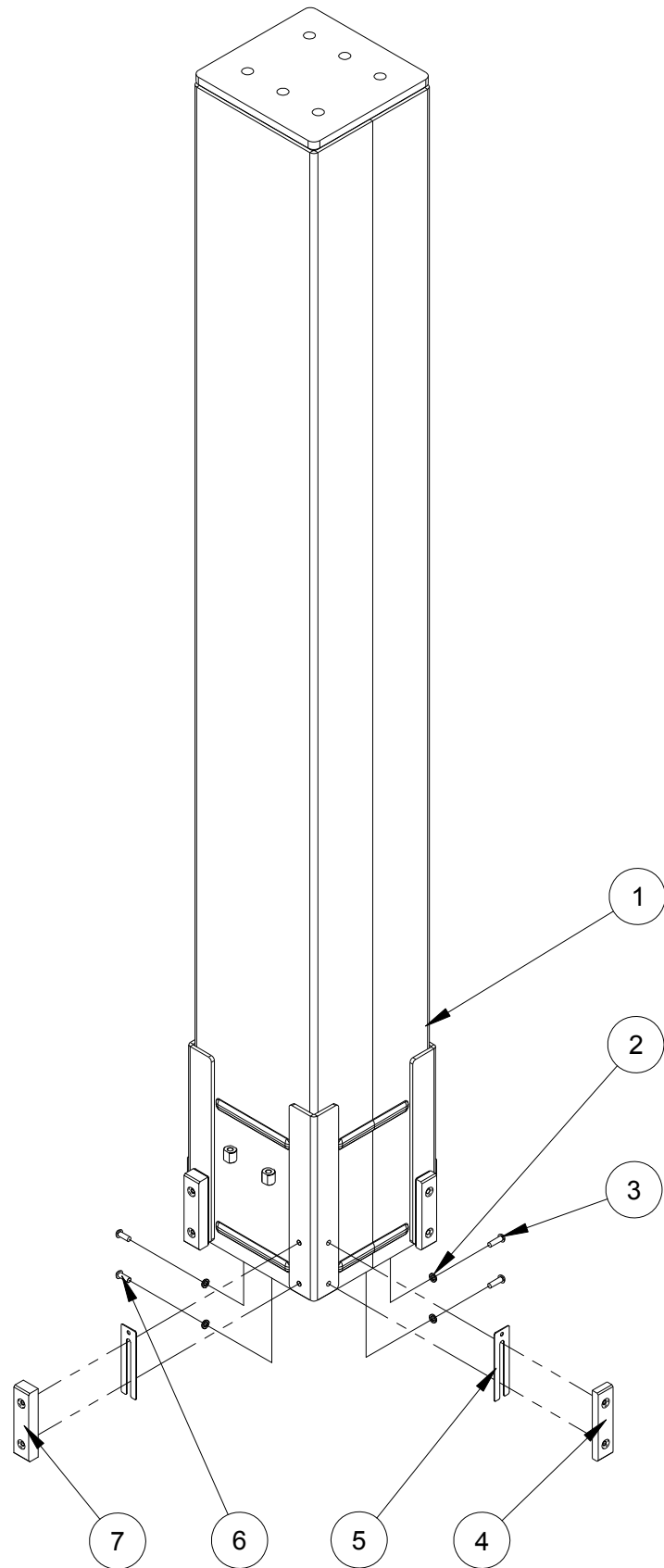


Figure 2-13 Mast 5 Assembly (AMWP10-8100)

Item	Part Number	Description	Qty.	Remark
1	AMWP81100-335100	Mast 5 weldment	1	
2	DIN25201	Washer 6	16	
3	GB/T 70.2-2000	Screw M6×20	4	
4	AMWP81115-321300	Slide block	6	
5	AMWP81115-321001	Shim	8	
6	GB/T 70.2-2000	Screw M6×16	12	
7	AMWP81115-321200	Slide block	2	

Figure 2-14 Lifting Chain Assembly (AMWP11.5-8100)

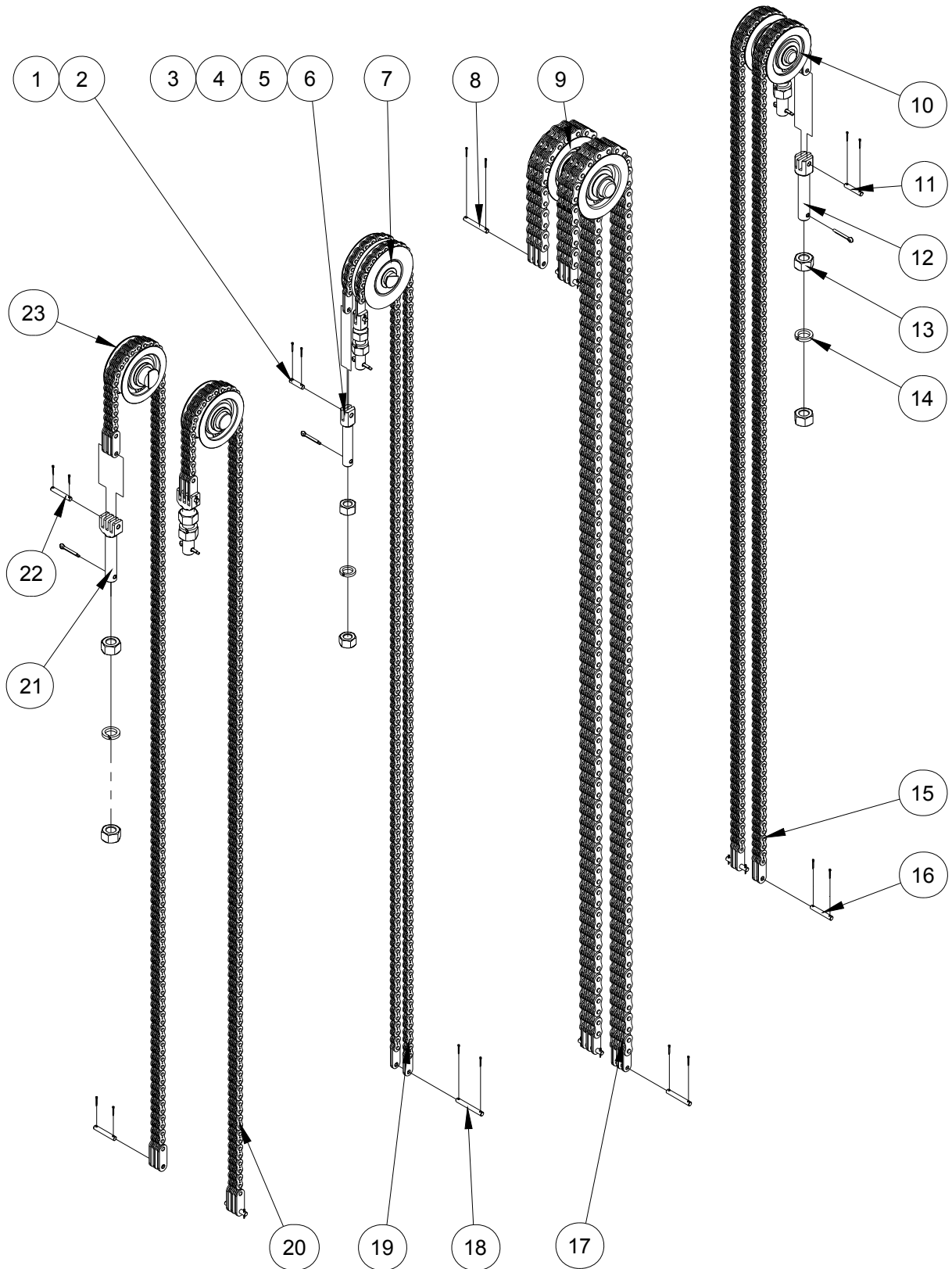


Figure 2-14 Lifting Chain Assembly (AMWP11.5-8100)

Item	Part Number	Description	Qty.	Remark
1	AMWP81115-200001	Chain pin	2	
2	GB/T 91-2000	Pin 1.6×10	30	
3	AMWP81115-324003	Chain terminal	2	
4	GB/T 91-2000	Pin 4×25	6	
5	GB/T 6170-2000	Nut M14	4	
6	GB/T 93-1987	Spring washer 14	2	
7	AMWP81115-200400	(4-6) Mast chain wheel assembly	1	
8	AMWP81115-200005	Chain pin	4	
9	AMWP81115-200100	(1-3) Mast chain wheel assembly	1	
10	AMWP81115-200300	(3-5) Mast chain wheel assembly	1	
11	AMWP81115-200002	Chain pin	2	
12	AMWP81115-322001	Chain terminal	2	
13	GB/T 6170-2000	Nut M16	8	
14	GB/T 93-1987	Spring washer 16	4	
15	AMWP81115-200700	(3-5) Mast LH0844-121	2	
16	AMWP81115-200004	Chain pin	4	
17	AMWP81115-200500	(1-3) Mast LH1066-113	2	
18	AMWP81115-200006	Chain pin	1	
19	AMWP81115-200800	(4-6) Mast LH0822-121	2	
20	AMWP81115-200600	(2-4) Mast LH0866-125	2	
21	AMWP81115-322003	Chain terminal	2	
22	AMWP81115-200003	Chain pin	2	
23	AMWP81115-200200	(2-4) Mast chain wheel assembly	1	

Figure 2-15 1-3 Mast chain wheel assembly

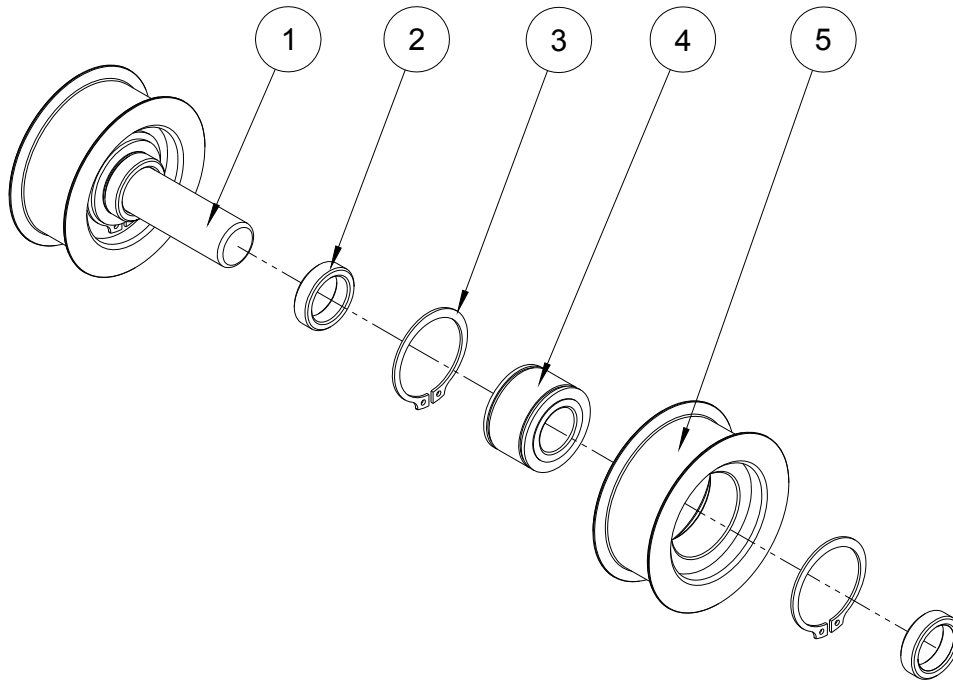


Figure 2-15 1-3 Mast chain wheel assembly

Item	Part Number	Description	Qty.	Remark
1	AMWP81115-531002	Chain wheel rod	1	
2	AMWP81115-531001	Washer	4	
3	GB/T 894.2-1986	Circlip for shaft 48	4	
4	SL045005PPB	Bearing	2	
5	AMWP81115-531005	Chain wheel	2	

Figure 2-16 2-4 Mast chain wheel assembly

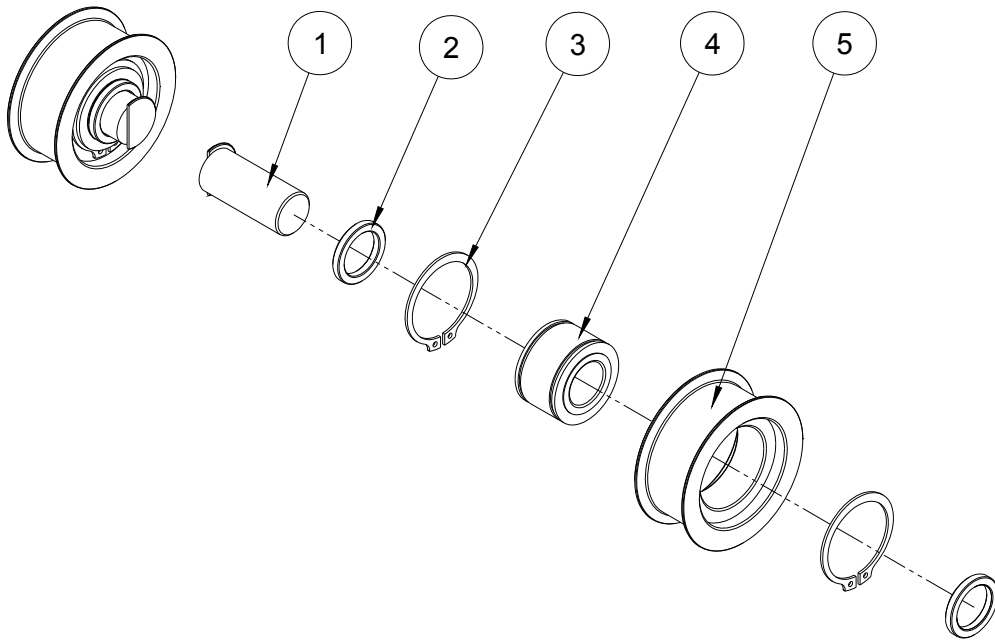


Figure 2-16 2-4 Mast chain wheel assembly

Item	Part Number	Description	Qty.	Remark
1	AMWP81115-323002	Chain wheel rod	2	
2	AMWP81115-323007	Washer	4	
3	GB/T 894.2-1986	Circlip for shaft 48	4	
4	SL045005PPB	Bearing	2	
5	AMWP81115-323006	Chain wheel	2	

Figure 2-17 3-5 Mast chain wheel assembly

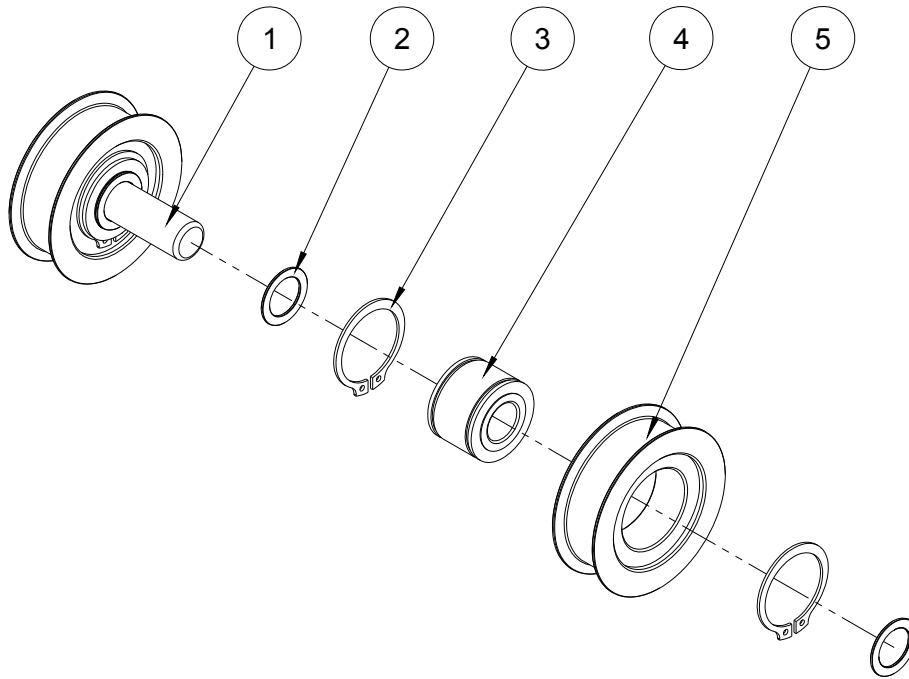


Figure 2-17 3-5 Mast chain wheel assembly

Item	Part Number	Description	Qty.	Remark
1	AMWP81115-323002	Chain wheel rod	2	
2	AMWP81115-323007	Washer	4	
3	GB/T 894.2-1986	Circlip for shaft 48	4	
4	SL045005PPB	Bearing	2	
5	AMWP81115-323006	Chain wheel	2	

Figure 2-18 4-6 Mast chain wheel assembly

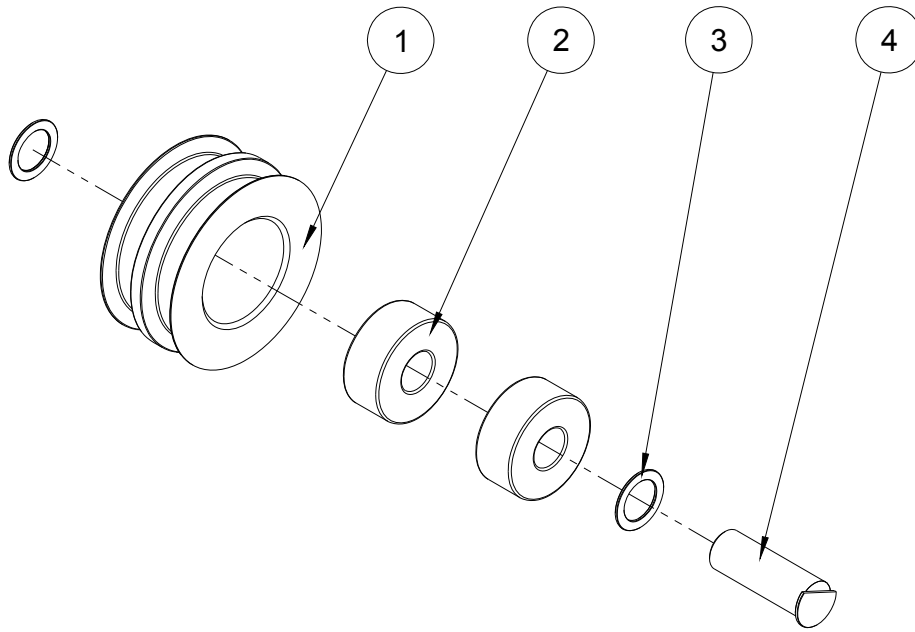


Figure 2-18 4-6 Mast chain wheel assembly

Item	Part Number	Description	Qty.	Remark
1	AMWP81115-325002	Chain wheel	1	
2	GB/T276-1994	Bearing	2	
3	AMWP81115-323003	Washer	2	
4	AMWP81115-325001	Chain wheel rod	1	

Figure 2-19 Lifting Chain Assembly (AMWP10-8100)

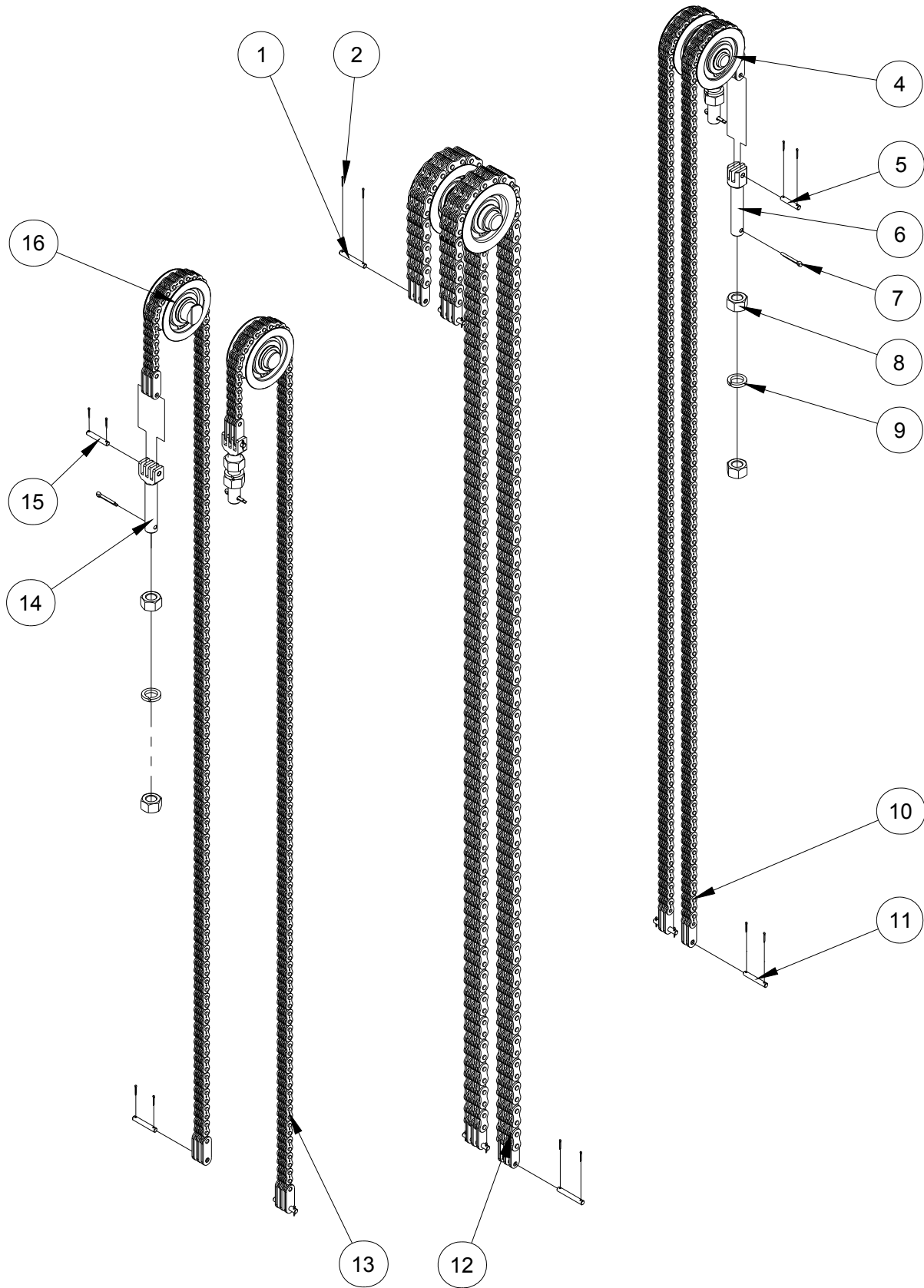


Figure 2-19 Lifting Chain Assembly (AMWP10-8100)

Item	Part Number	Description	Qty.	Remark
1	AMWP81115-200005	Chain pin	4	
2	GB/T 91-2000	Pin 1.6×10	24	
3	AMWP81115-200100	(1-3) Mast chain wheel assembly	1	
4	AMWP81115-200300	(3-5) Mast chain wheel assembly	1	
5	AMWP81115-200002	Chain pin	2	
6	AMWP81115-322001	Chain terminal	2	
7	GB/T 91-2000	Pin 4×25	4	
8	GB/T 93-1987	Spring washer 16	4	
9	GB/T 6170-2000	Nut M16	8	
10	AMWP81115-200700	(3-5) Mast LH0844-121	2	
11	AMWP81115-200004	Chain pin	4	
12	AMWP81115-200500	(1-3) Mast LH1066-113	2	
13	AMWP81115-200600	(2-4) Mast LH0866-125	2	
14	AMWP81115-200003	Chain pin	2	
15	AMWP81115-322003	Chain terminal	2	
16	AMWP81115-200200	(2-4) Mast chain wheel assembly	1	

Platform

Section 3

Figure 3-1 Platform and Mast Installation

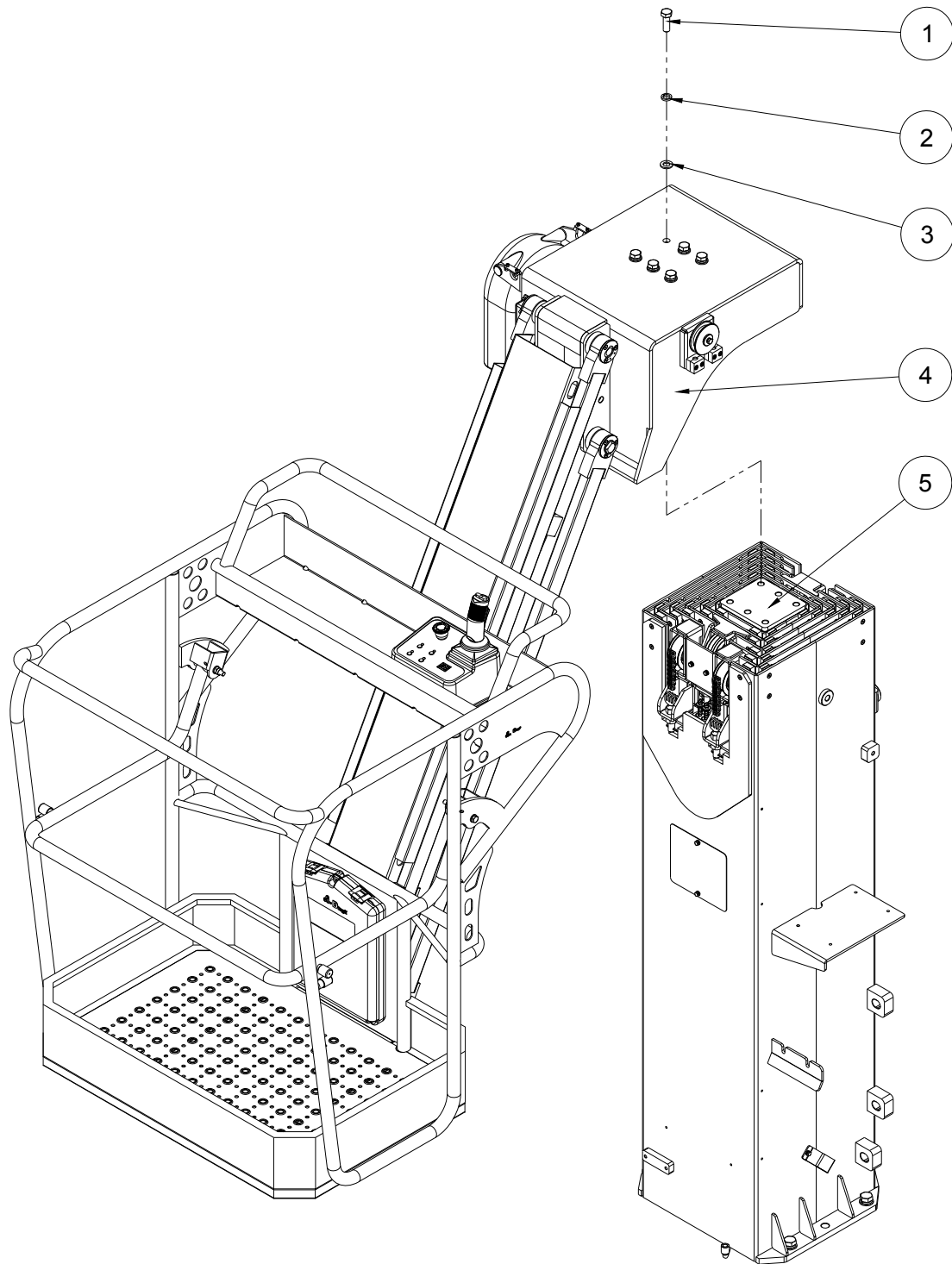


Figure 3-1 Platform and Mast Installation

Item	Part Number	Description	Qty.	Remark
1	GB/T 5786-2000	Bolt M16×1.5×45	6	
2	GB/T 93-1987	Spring washer 16	6	
3	GB/T 97.1-2002	Washer 16	6	
4	AMWP81115-420000	Platform and jib assembly	1	
5	AMWP81100-330000	Mast assembly	1	AMWP10-8100
	AMWP81115-330000	Mast assembly	1	AMWP11.5-8100

Figure 3-2 Jib and Platform Installation

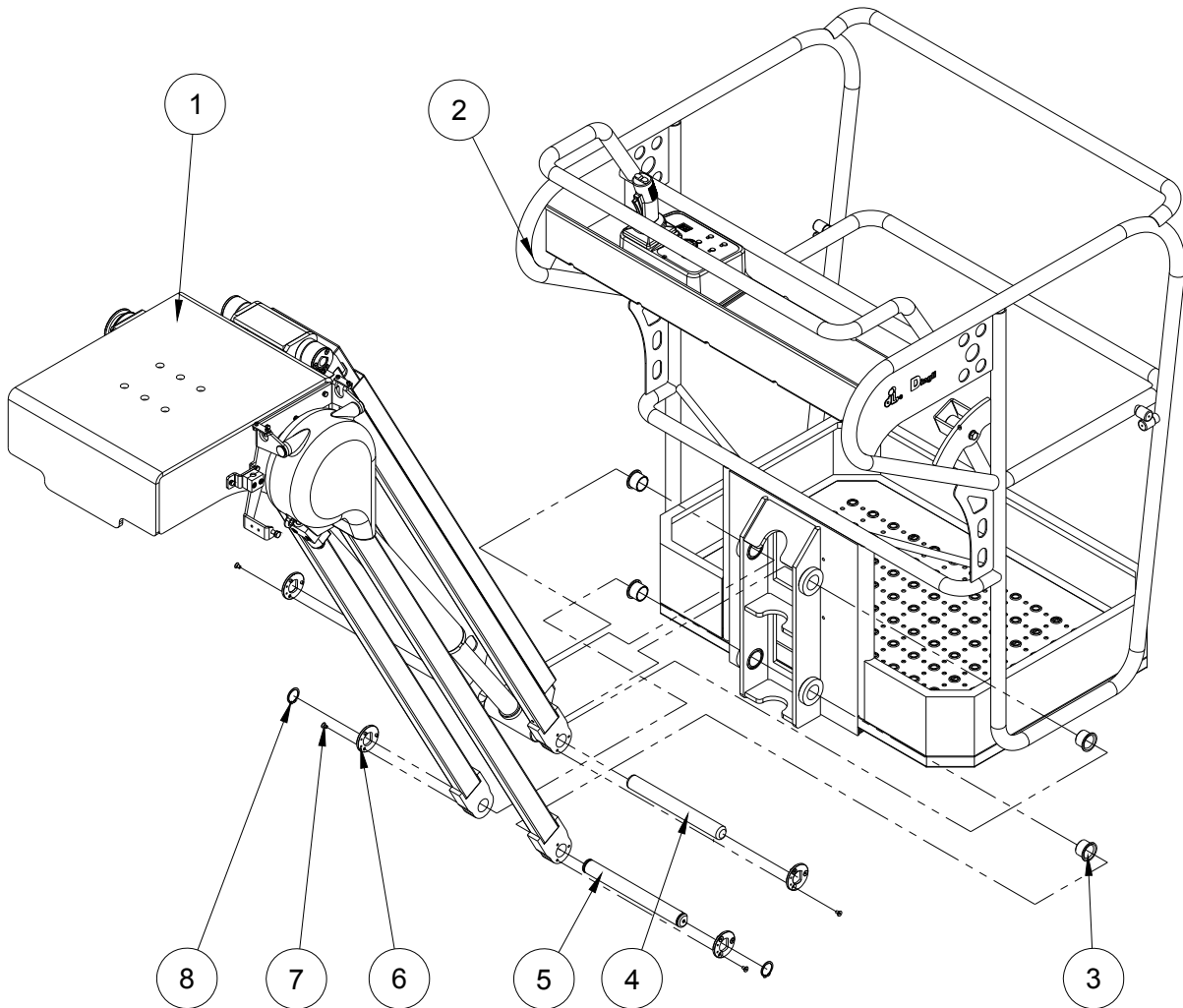


Figure 3-2 Jib and Platform Installation

Item	Part Number	Description	Qty.	Remark
1	AMWP81115-412000	Jib assembly	1	
2	AMWP81115-421000	Platform assembly	1	
3	42/34×30×25	Bearing	4	
4	AMWP81115-410001	Pin	1	
5	AMWP81115-410008	Pin	1	
6	AMWP81115-410002	Lock tray	4	
7	GB/T 70.3-2000	Screw M6×10	12	
8	GB/T 894.1-1986	Circlip for shaft 30	2	

Figure 3-3 Jib Assembly

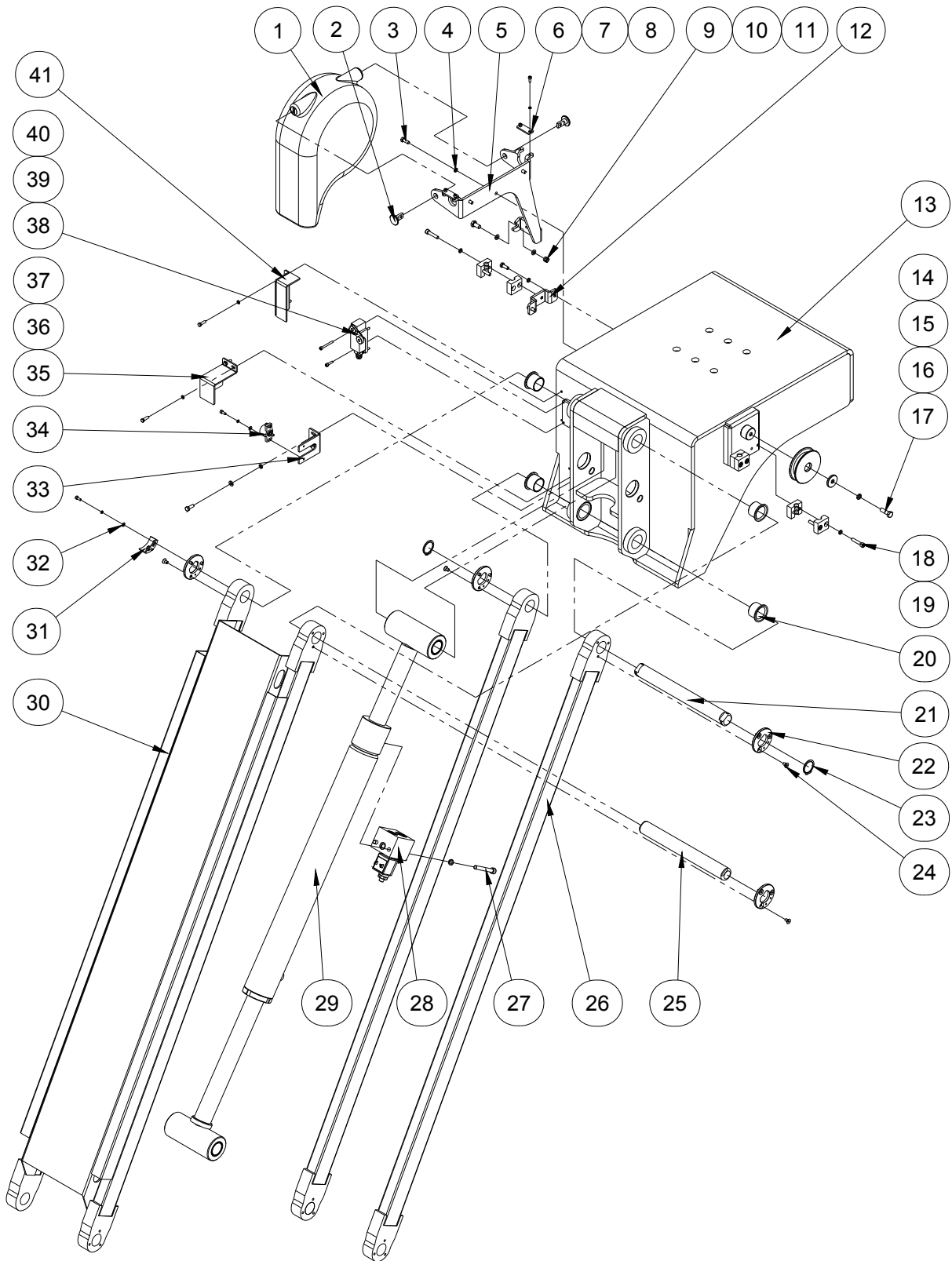


Figure 3-3 Jib Assembly

Item	Part Number	Description	Qty.	Remark
1	AMWP81115-410100	AC wire box	1	
2	AMWP81115-100020	Pin	2	
3	GB/T 5783-2000	Bolt M6×16	7	
4	GB/T 93-1987	Spring washer 6	13	
5	AMWP81115-100019	Seat	1	
6	AMWP81115-100022	Cover board	2	
7	GB/T 93-1987	Spring washer 4	8	
8	GB/T 70.1-2000	Screw M4×10	8	
9	GB/T 6182-2000	Nut M6	1	
10	GB/T 97.1-2002	Washer 6	4	
11	GB/T 5783-2000	Bolt M6×30	1	
12	AMWP81115-410010	Seat	1	
13	AMWP81115-411000	Mast top	1	
14	AMWP81115-410009	Pulley	1	
15	AMWP81115-114006	Washer	1	
16	GB/T 93-1987	Spring washer 8	3	
17	GB/T 5783-2000	Bolt M8×25	1	
18	GB/T 70.1-2000	Screw M6×30	6	
19	AMWP81115-410011	Pipe clip	6	
20	42/34×30×25	Bearing	4	
21	AMWP81115-410003	Pin	1	
22	AMWP81115-410002	Lock tray	4	
23	GB/T 894.1-1986	Circlip for shaft 30	2	
24	GB/T 70.3-2000	Screw M6×10	12	
25	AMWP81115-410001	Pin	1	
26	AMWP81115-413000	Lower tie bar	2	
27	GB/T 70.1-2000	Screw M8×65	2	
28	5805-03017	Valve	1	
29	AMWP81115-415000	Jib cylinder	1	

Figure 3-3 Jib Assembly

Item	Part Number	Description	Qty.	Remark
30	AMWP81115-419000	Upper tie bar	1	
31	AMWP81115-410004	Signal plate	1	
32	GB/T 97.1-2002	Washer 4	4	
33	AMWP81115-410005	Sensor support	1	
34	6905-0401360-01	Rotary sensor	1	
35	AMWP81115-417000	Sensor cover	1	
36	GB/T 93-1987	Spring washer 5	4	
37	GB/T 5783-2000	Bolt M5×16	4	
38	6909-0701200-02	Limit switch	1	
39	GB/T 70.1-2000	Screw M4×16	2	
40	GB/T 70.1-2000	Screw M4×35	2	
41	AMWP81115-418000	Switch cover	1	

Figure 3-4 Platform Assembly

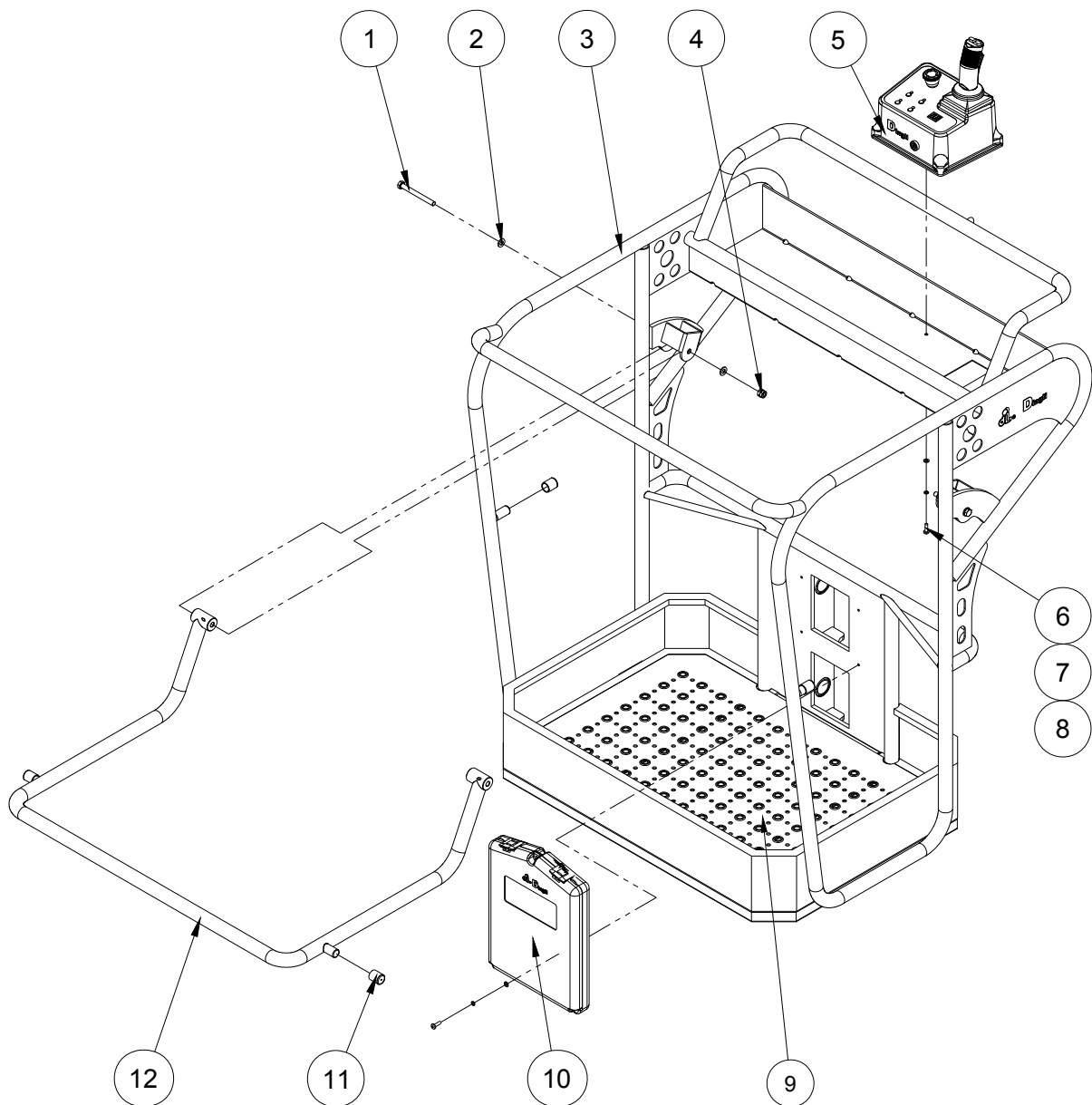


Figure 3-4 Platform Assembly

Item	Part Number	Description	Qty.	Remark
1	GB/T 5783-2000	Bolt M10×100	2	
2	GB/T 97.1-2002	Washer 10	4	
3	AMWP81115-421100	Platform weldment	1	
4	GB/T 6182-2000	Nut M10	2	
5	AMWP81115-720100	Platform controller	1	
6	GB/T 818-2000	Screw M6×20-H	8	
7	GB/T 97.1-2002	Washer 6	8	
8	GB/T 93-1987	Spring washer 6	8	
9	AMWP81115-410006	Antiskid plate	1	
10	GTBZ16A-43500	Handbook Box	1	
11	AMWP81115-410007	Rubber bushing	4	
12	AMWP81115-422000	Opening guard rail	1	

Figure 3-5 Platform Control

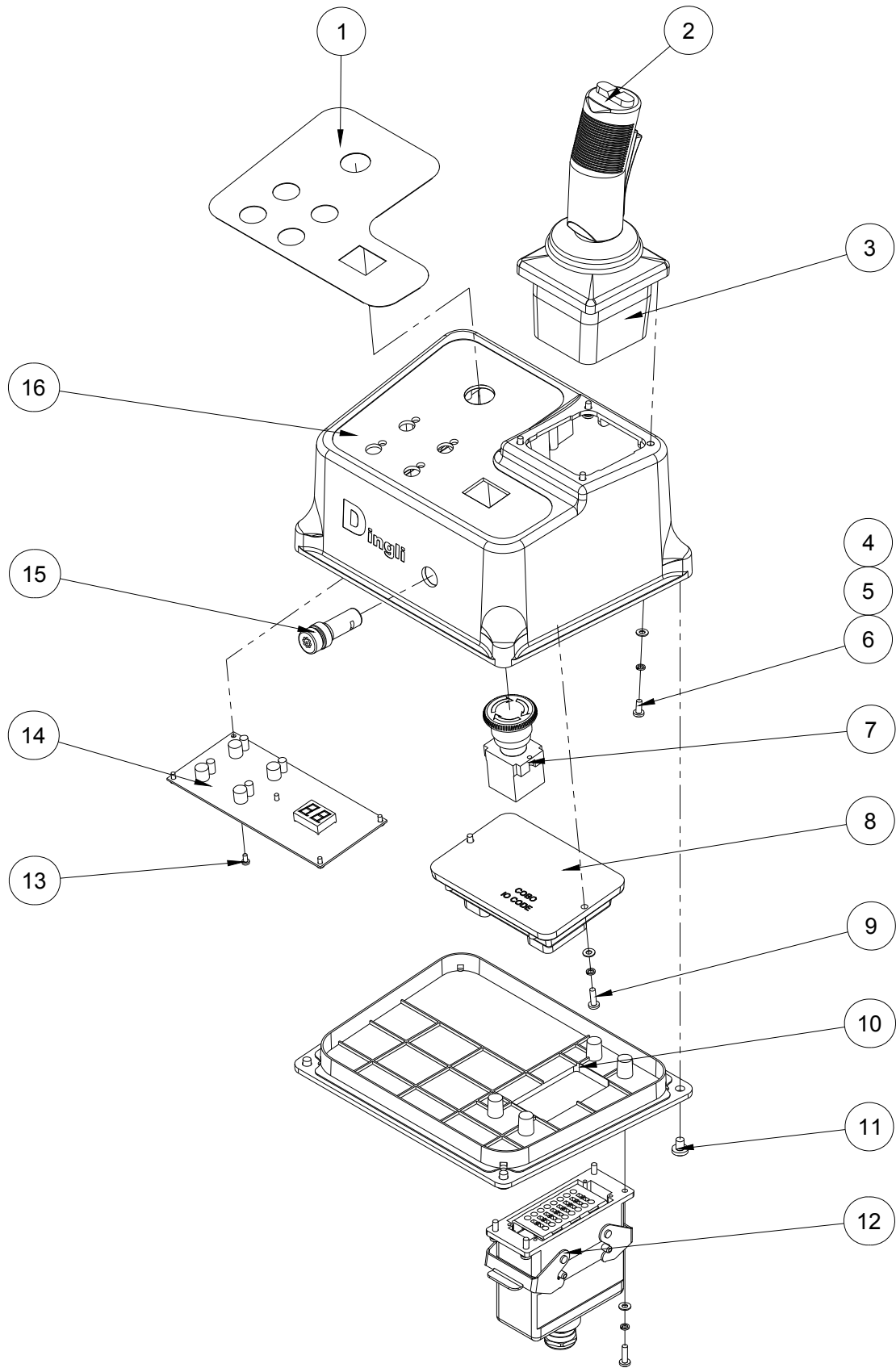


Figure 3-5 Platform Control

Item	Part Number	Description	Qty.	Remark
1	9124035	Decal	1	
2	6909-5901022-01	Switch of joystick	1	
3	6910-2010210-01	Joystick	1	
4	GB/T 818-2000	Screw M4×10-H	4	
5	GB/T 93-1987	Spring washer 4	10	
6	GB/T 97.1-2002	Washer 4	10	
7	6909-0501140-02	Emergency stop switch	1	
8	6904-0401012-02	IO controller	1	
9	GB/T 818-2000	Screw M4×14-H	6	
10	AMWP81115-720112	Platform control box bottom	1	
11	GB/T 818-2000	Screw M6×8-H	4	
12	6911-0006116-01	Connector assembly	1	
13	GB/T 818-2000	Screw M3×6-H	5	
14	6904-5001051-01	PCB	1	
15	6915-0182000-01	Buzzer	1	
16	AMWP81115-720111	Platform control box	1	

Hydraulic System

Section 4

Figure 4-1 Lift Cylinder

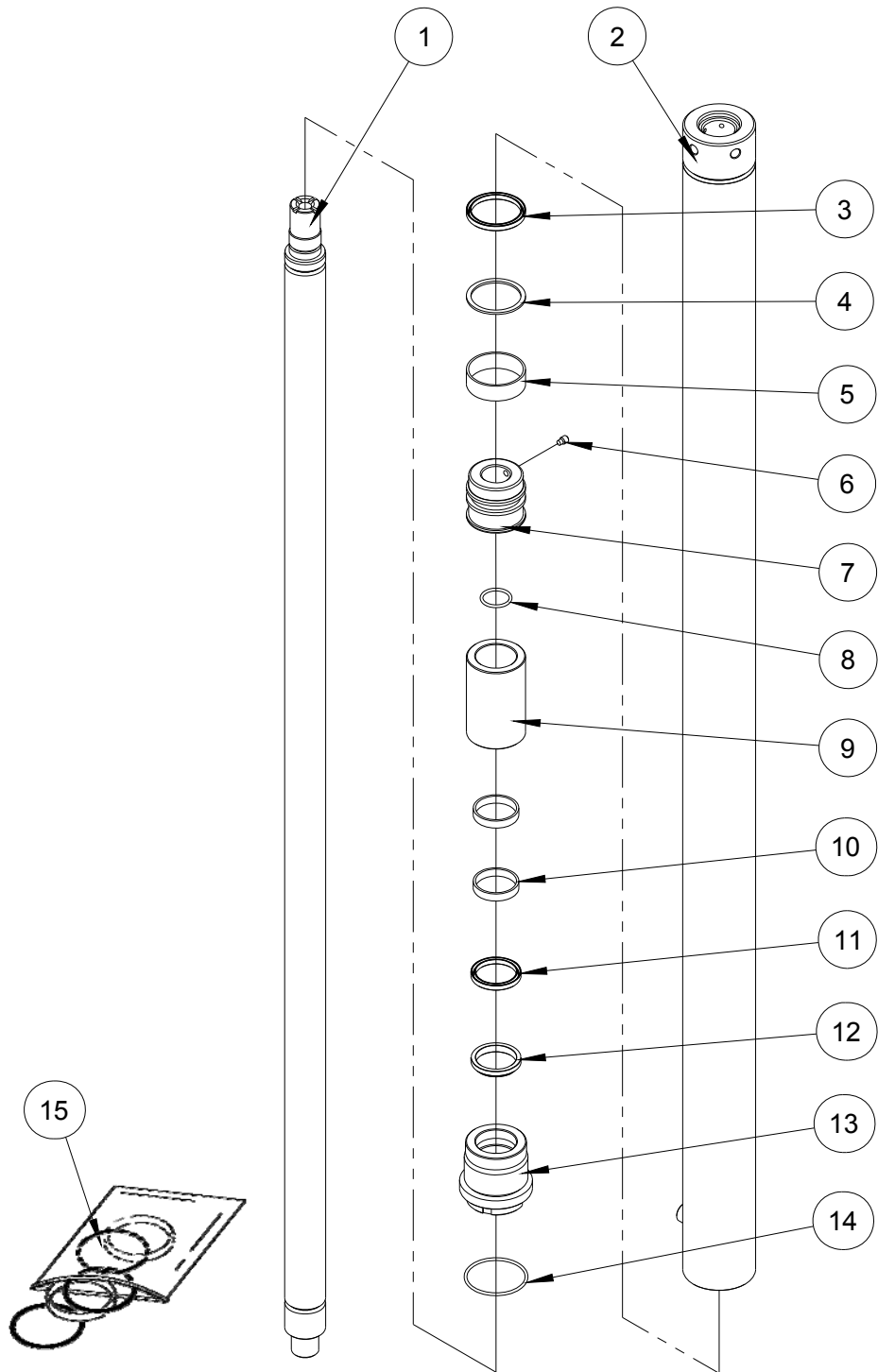


Figure 4-1 Lift Cylinder

Item	Part Number	Description	Qty.	Remark
1	AMWP81115-5312-100B	Pole	1	
2	AMWP81115-5312-200B	Outward canister	1	
3	D56×45×7	Seal	1	
4	D56×45×2	Circlip	1	
5	D56×14.7×2.5	Plastic loop	1	
6	GB/T 79-2000	Screw M8×12	1	
7	AMWP81115-5312-4A	Piston	1	
8	GB 3452.1-2005	O ring 35×3.1	1	
9	AMWP81115-5312-3B	Iron pipe	1	
10	d45×9.4×2.5	Plastic loop	2	
11	d45×55×6	Seal	1	
12	d45×53×5/6.5	Dustproof ring	1	
13	AMWP81115-5312-2C	Rod bush	1	
14	GB 3452.1-2005	O ring 60×3.5	1	
15	AMWP81115-531200WX	Seal kit	1	

Figure 4-2 Jib Cylinder

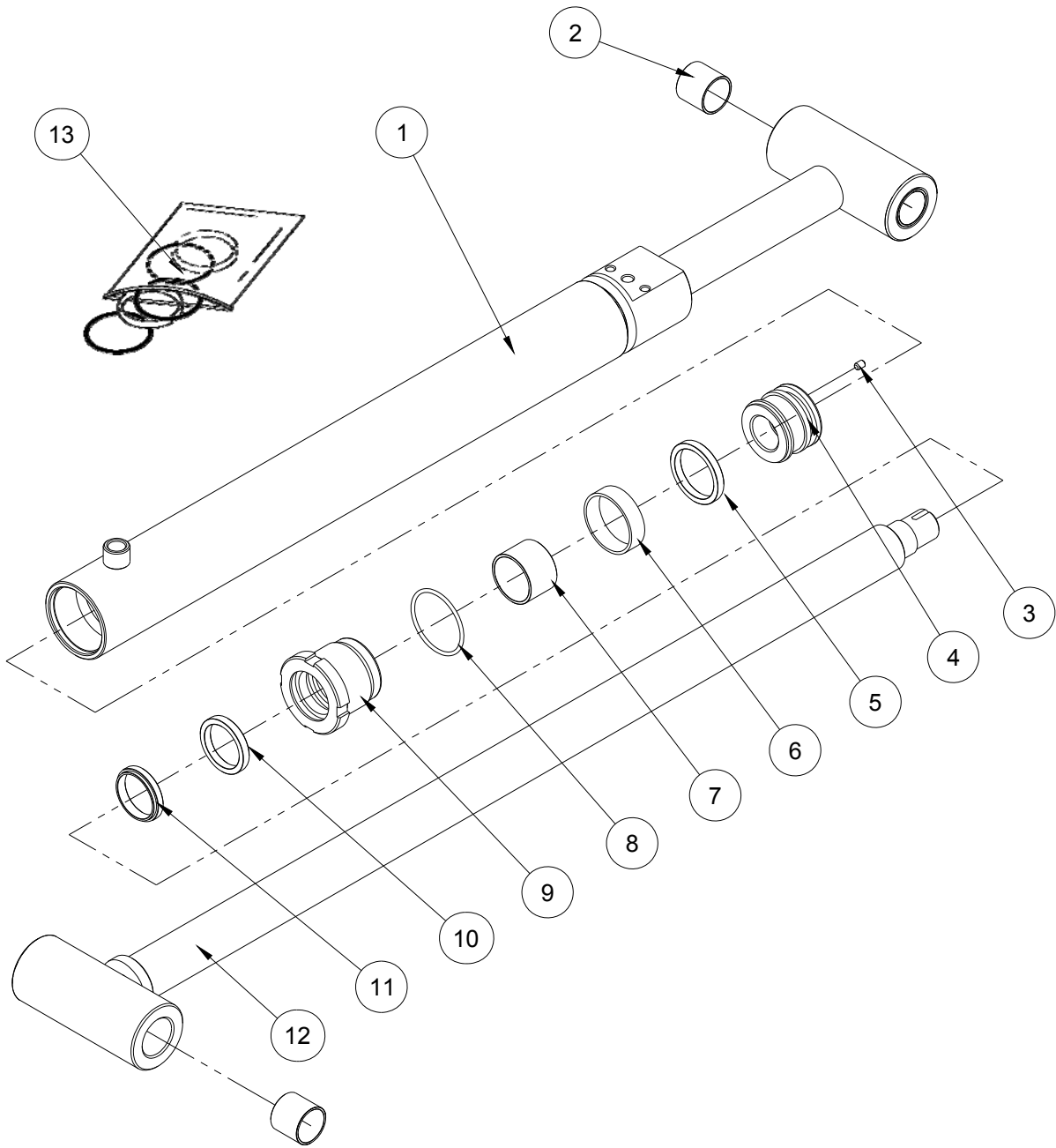


Figure 4-2 Jib Cylinder

Item	Part Number	Description	Qty.	Remark
1	AMWP81115-425000-200	Outward canister	1	
2	SF-1/30×34-30	Bearing	4	
3	GB/T 79-85	Screw M8×10	1	
4	JCPT5007MQ-153100-1	Piston	1	
5	4605400-601	Seal 55×45×6	1	
6	D55×14.7×2.5	Plastic loop	1	
7	d40×9.4×2.5	Plastic loop	1	
8	GB 3452.1-2005	O ring 48.7×3.5	1	
9	AMWP81115-415002	Rod bush	1	
10	OSI 55	Seal 55×45×6	1	
11	LBH 40	Dustproof ring 40×48-5/6	1	
12	AMWP81115-425000-100	Pole	1	
13	AMWP81115-425000WX	Seal kit	1	

Figure 4-3 Steer Cylinder

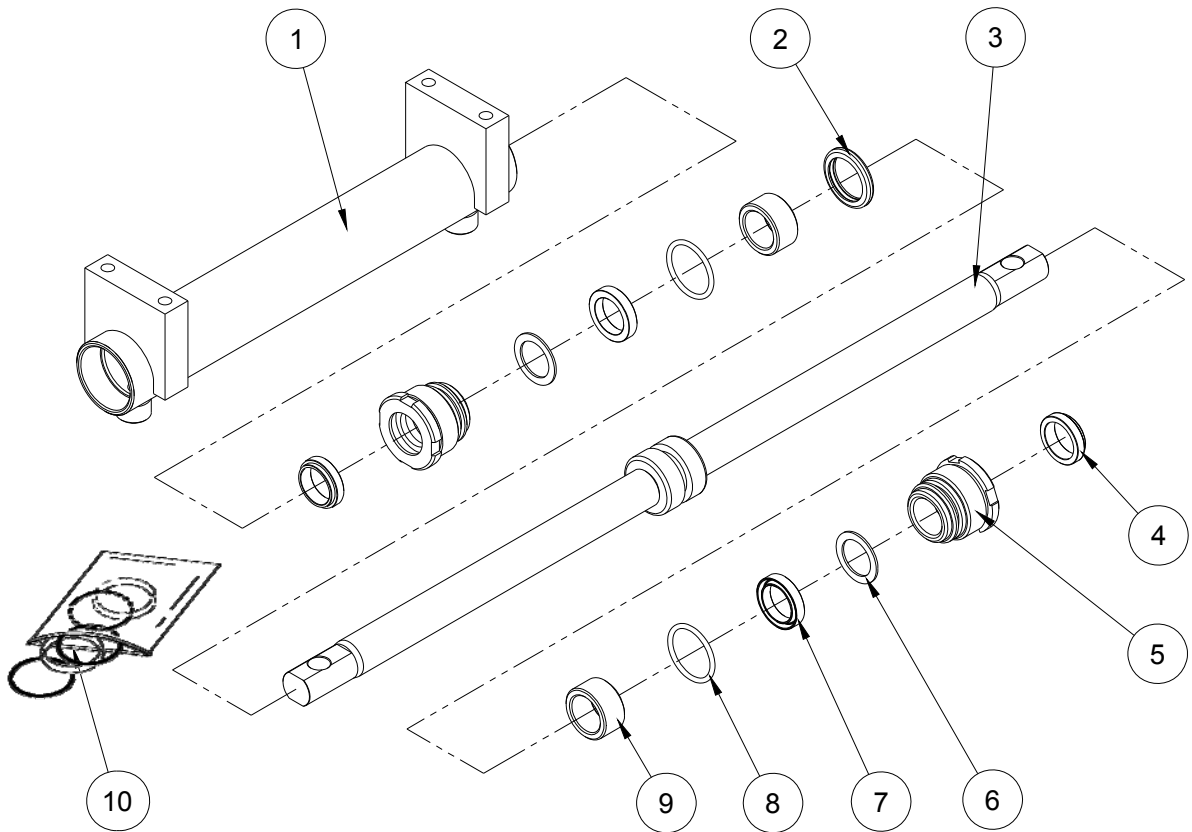


Figure 4-3 Steer Cylinder

Item	Part Number	Description	Qty.	Remark
1	ZL05.14.1-3	Outward canister	1	
2	CKS-35	Seal	1	
3	ZL05.14.1-2	Pole	1	
4	CK 25	Dustproof ring d25	2	
5	ZL05.14.1-1	Rod bush	2	
6	D35×25×1.5	Circlip	2	
7	D35×45×6	Seal	2	
8	GB 3452.1-2005	O ring 40×3.1	2	
9	ZL05.14.1-4	Iron pipe	2	
10	AMWP81115-532000WX	Seal kit	1	

Figure 4-4 Hydraulic Hoses and Fittings

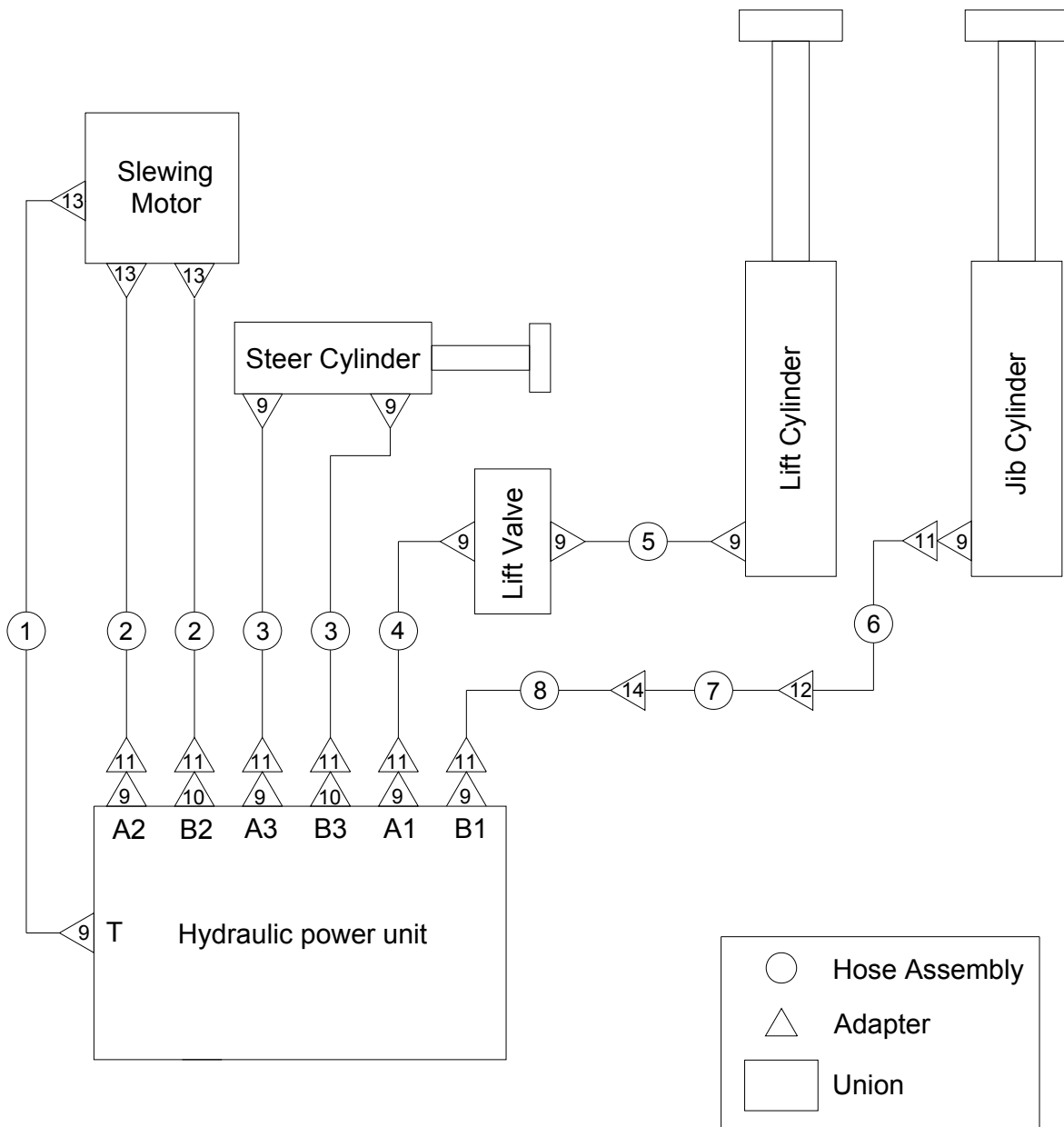


Figure 4-4 Hydraulic Hoses and Fittings

Item	Part Number	Description	Qty.	Remark
1	1SN06-M21513-04-14/M 21543-04-14-800	Swing motor return hose assembly	1	
2	1SN06-M21513-04-14/M 21543-04-14-850	Swing motor hose assembly	2	
3	1SN06-M21513-04-14/M 21543-04-14-4000	Swing cylinder hose assembly	2	
4	1SN06-M21513-04-14/M 21593-04-14-1350	Lift cylinder hose assembly1	1	
5	1SN06-M21513-04-14/M 21593-04-14-380	Lift cylinder hose assembly2	1	
6	1SN06-M21513-04-14/M 21593-04-14-450	Jib cylinder hose assembly1	1	
7	1SN06-M21513-04-14/M 21513-04-14-8500	Jib cylinder hose assembly2	1	
8	1SN06-M21513-04-14/M 21513-04-14-680	Jib cylinder hose assembly3	1	
9	GE08LR1/4EDOMD	Straight fitting	11	
10	GE08LR1/4EDOMDL50	Straight fitting	2	
11	EW08LOMD	Elbow	7	
12	WSV08LOMD	Elbow	1	
13	GE08LR3/8EDOMD	Straight fitting	3	
14	AMWP81115-100500	Hydraulic hose reel	1	